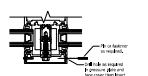


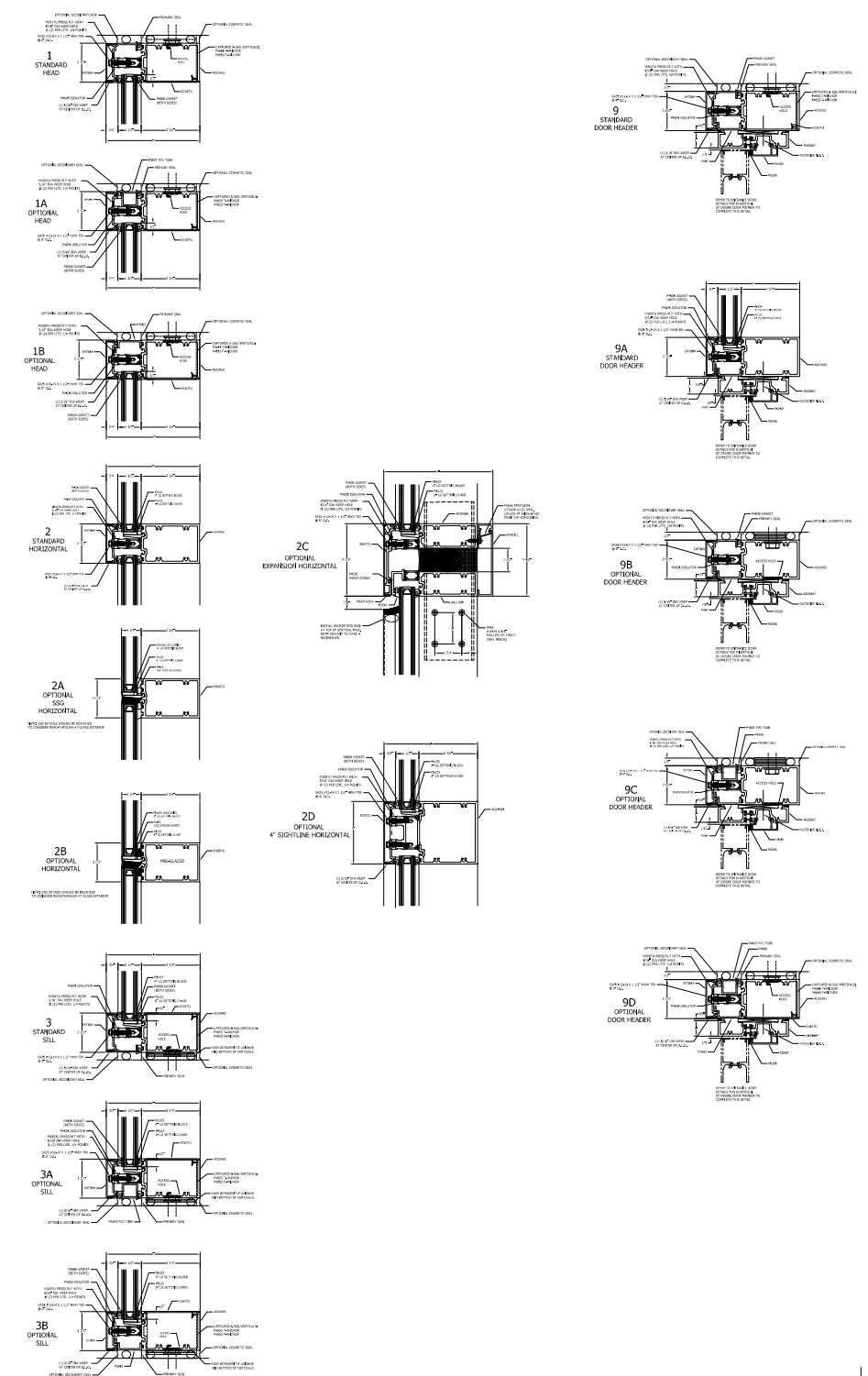
TYPICAL ELEVATION

400TU ULTRA THERMAL CURTAIN WALL  
 3 3/4" BACK MEMBER, DUAL GLAZE, SCREW SPLNE  
 ALUMINUM PRESSURE PLATE

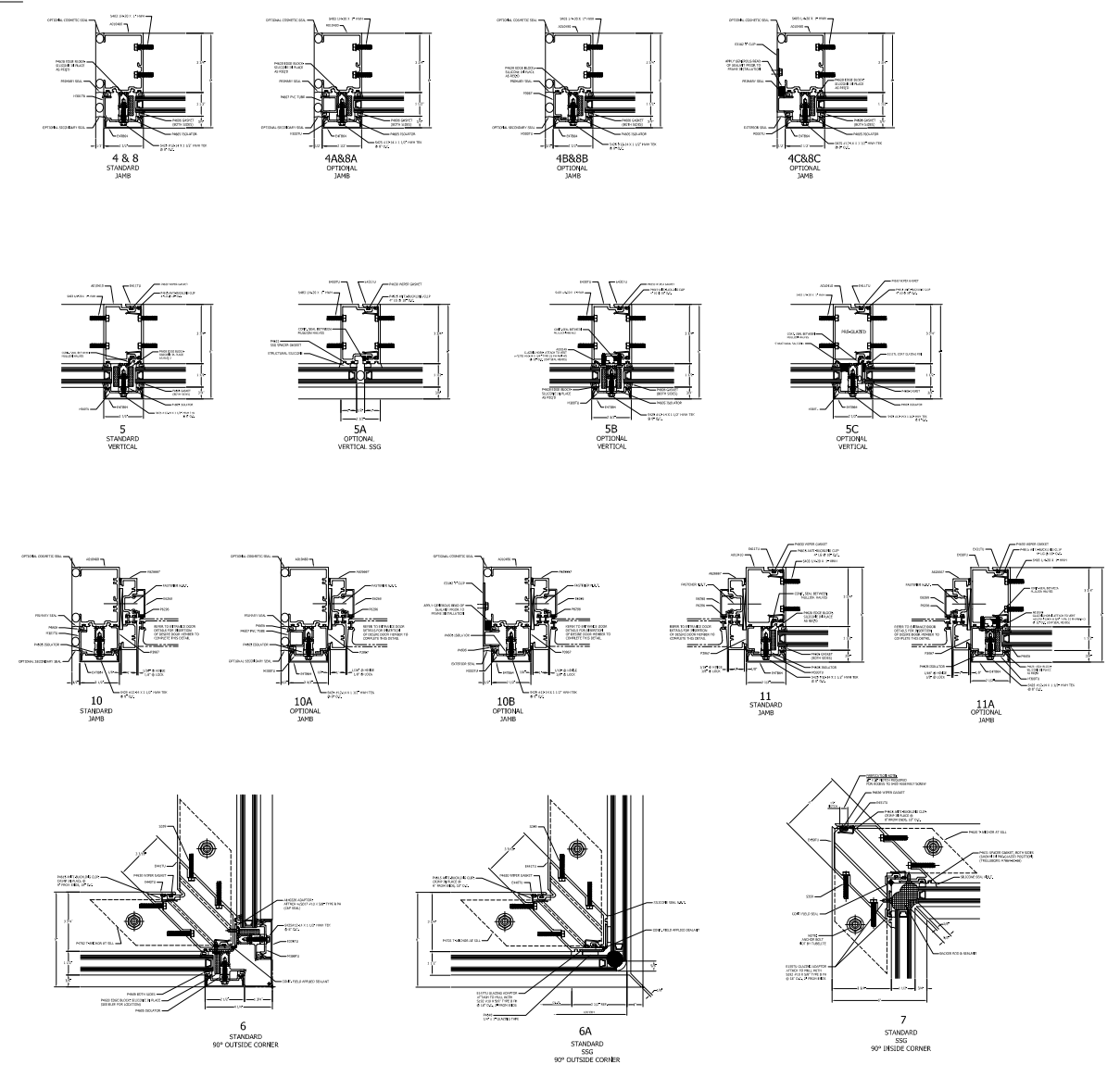


FACE COVER PINNING

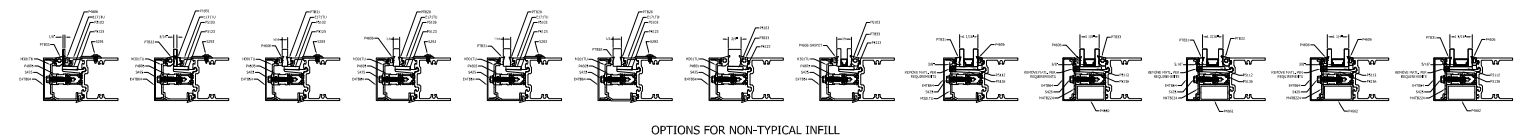
FOR HIGH THERMAL PERFORMANCE  
 PRESSURE PLATES SEE THERMAL  
 PRESSURE PLATE PERIMETER SHEET.  
 PERIMETER SHEET INCLUDES POLYAMIDE  
 PRESSURE PLATE.



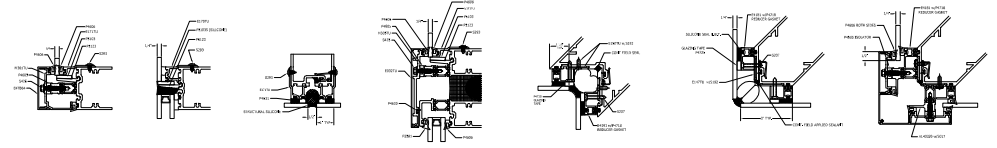
VERTICAL DETAILS



SPICE AND ANCHOR DETAILS



OPTIONS FOR NON-TYPICAL INFILL



OPTIONS FOR 1/4" INFILL

GLAZING INFILL OPTIONS

NOTE: TYPICAL GLASS BITE 1/2" FROM DLO  
 UNLESS NOTED AT DETAIL.

GLASS SHOWN DOES NOT NECESSARILY REPRESENT FINAL CONFIGURATION.  
 CONSULT GLASS MANUFACTURER FOR SPECIFIC GLASS MAKE UP.

**TUBELITE**<sup>®</sup>

DEPENDABLE

LEADERS IN ECO-EFFICIENT STOREFRONT,  
 CURTAINWALL AND ENTRANCE SYSTEMS

Last Revised: 04-03-2020