

400SS

Screw Spline Curtainwall

Tubelite's 400SS thermally broken curtainwall product has been designed to reduce fabrication and installation labor while meeting or exceeding today's stringent energy codes. The 400SS Series has a 2-1/2" face, with system depths from 6" to 10" and optional polyamide pressure plates. This screw spline system can be pre-assembled, pre-sealed (i.e. water dams) and pre-glazed in the shop, or stick fabricated for field glazing.

Dependable Performance

The expanded thermal break and thick gasketing provide excellent U-Factors and CRF when using high-performance insulated glass. Glass is positioned to the system exterior for enhanced resistance to rainwater. Seven anodized finishes and 20 standard paint colors are available on this framing system to complement any project with warranted protection, as well as street appeal. The 400SS also accepts Tubelite's Operable Windows, Therml=Block® Doors and Maxblock® Sunshades.

Therml=Block
HIGH-PERFORMANCE THERMAL FRAMING



Therml=Block
Doors & Frames

Bank of North Dakota, Bismarck, ND

ALSO
USED
WITH

TU24000 High
Thermal Performance
Storefront

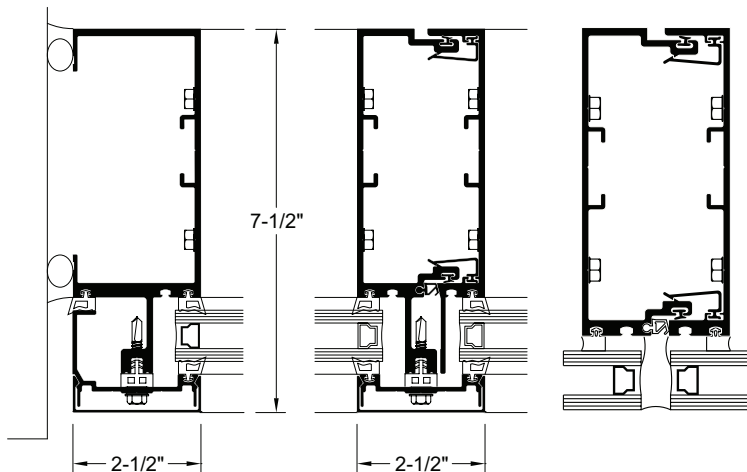
TUBELITE[®]
DEPENDABLE

LEADERS IN ECO-EFFICIENT STOREFRONT,
CURTAINWALL AND ENTRANCE SYSTEMS

400SS

Screw Spline Curtainwall

Thermi-Block
HIGH-PERFORMANCE THERMAL FRAMING



System Features:

- Standard 6" (152.4mm) 7-1/2" and 10" depth systems have a 2-1/2" (63.5mm) sight line
- Outside glazed pressure-plate system available in captured and structural glazed configurations
- Standard infill option 1" (25.4mm), other infills available
- Thermally Broken using a continuous 1/4" EPDM Isolator
- Concealed screw spline fastener joinery creates smooth, monolithic appearance
- Two-piece expansion vertical & horizontal members
- Can be shop-fabricated and shop-glazed for labor savings
- Silicone compatible glazing materials for long-lasting seals
- Captured & SSG inside and outside corners available

Optional Features:

- Steel reinforcing available
- Optional deep profile and bull nose covers available
- Silicone glazed intermediate verticals & horizontals available
- Polyamide pressure plates available
- Easily integrates with Tubelite's Entrances, Operable Windows, and Maxblock Sunshades.
- Deep and heavy-weight mullions available

Performance Test Standards

Air Infil/Exfil	ASTM E 283
Water	AAMA 501.1 and ASTM E 331
Structural	ASTM E 330
CRF	AAMA 1503
Acoustical	ASTM E90, ASTM E413
Thermal Cycling	AAMA 501.5
Seismic	501.4

400SS Screw Spline Curtainwall

Application: Low and mid-rise commercial buildings including retail, office, healthcare, schools, etc

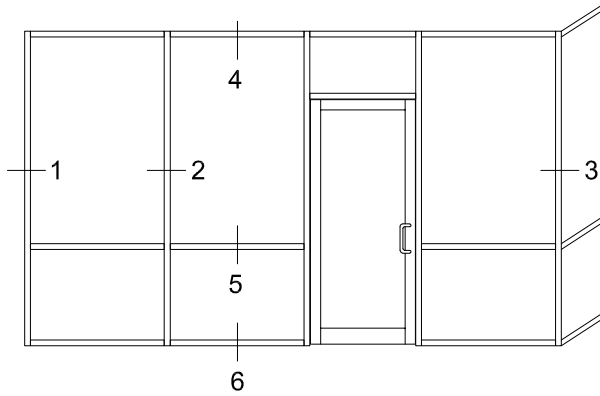
Description: 2-1/2" x (6", 7-1/2", and 10") field or shop glazed, screw spline construction curtainwall

Face Width:	Overall Depths:	Glass:	Air Infiltration:	Water Infiltration:	Structural:	U-Factor**:	CRF _(F) :	Acoustic:
2-1/2"	6", 7-1/2" & 10"	1" std (1/4" to 1-5/16")	0.06 CFM/Ft.2 @ 6.24 PSF	15 PSF – Static 15 PSF – Dynamic	40 PSF – Design 60 PSF – Overload	0.38 - Aluminum PP 0.33 - Thermal PP	68 – Aluminum PP 79 – Thermal PP	STC 32 OITC 27

** U-Factor per NFRC 100. Refer to the U-Value table at: www.tubeliteinc.com/products/curtainwall/400ss-screw-spline-curtainwall/

DISCLAIMER: Tubelite takes no responsibility for product selection or application, including, but not limited to, compliance with building codes, safety codes, laws, merchantability or fitness for a particular purpose; and further disclaims all liability for the use, in whole or in part, of this Technical Guide in preparation of project specifications and/or other documents. Technical Guides are subject to change at any time, without notice, and at Tubelite's sole discretion. ©2018 Tubelite Inc.

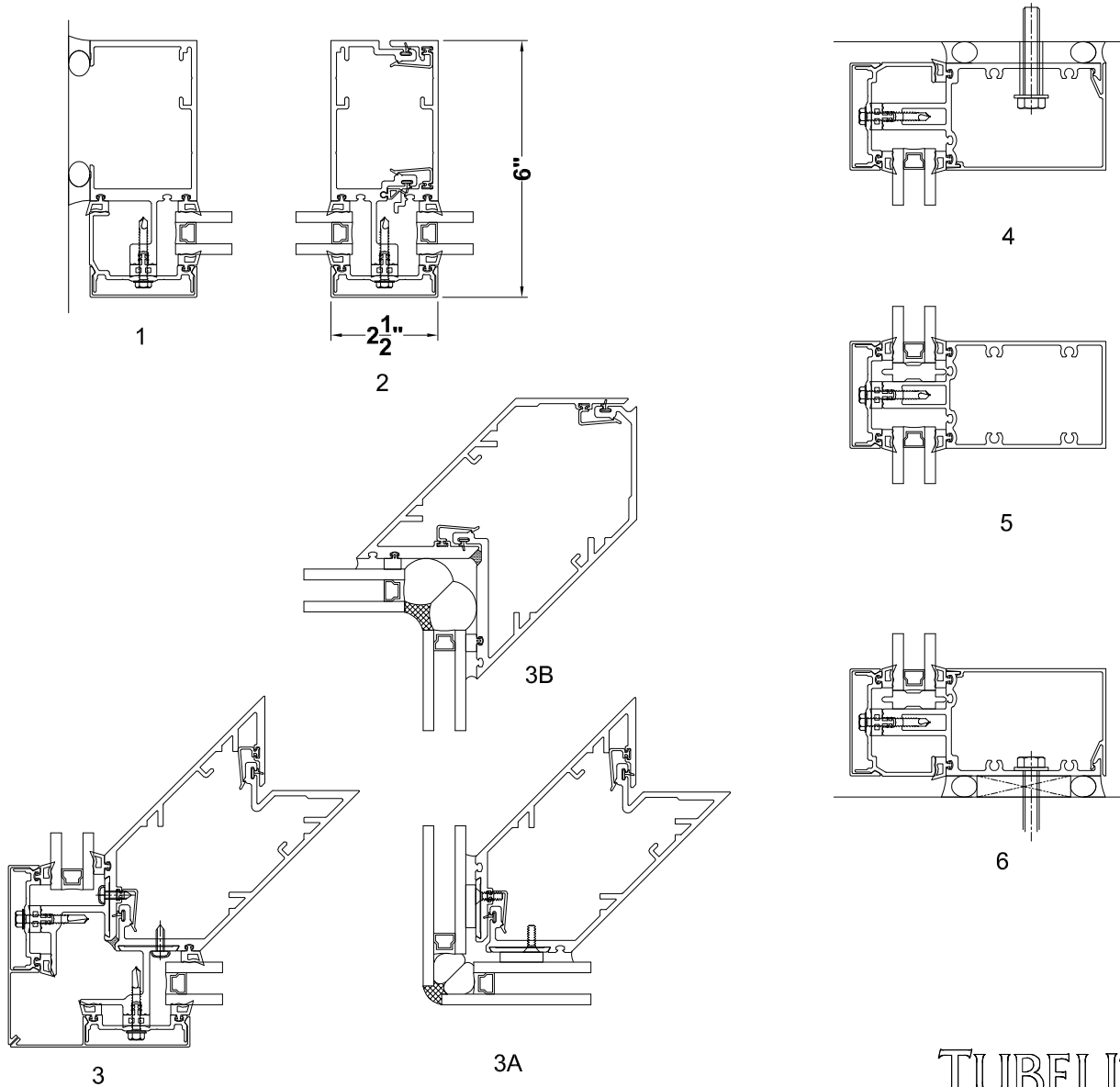
122722



Tubelite reserves the right to change system configuration without prior notice when deemed necessary for product improvements.

Laws and building & safety codes governing the design and use of glazed entrance, window and curtain wall systems vary widely. Tubelite does not control the selection of product configurations, operating hardware or glazing materials, and assumes no responsibility thereof.

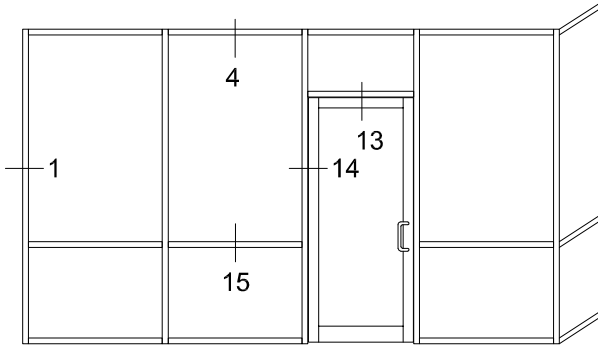
Standard Field Glazed Details
1/4 scale



February 2020

TUBELITE[®]
DEPENDABLE
LEADERS IN ECO-EFFICIENT STOREFRONT,
CURTAINWALL AND ENTRANCE SYSTEMS

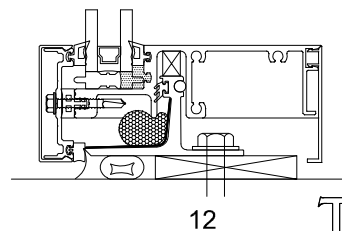
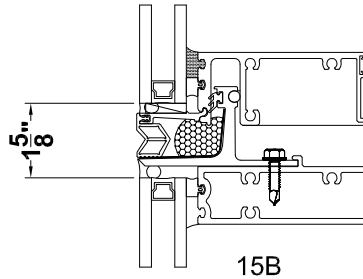
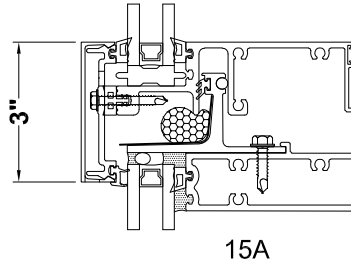
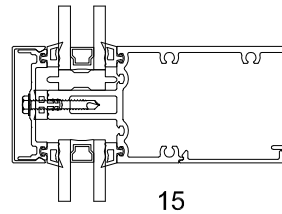
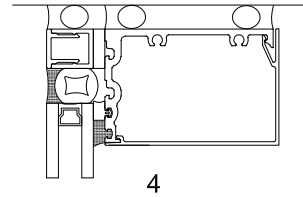
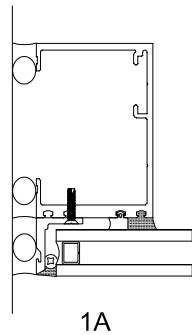
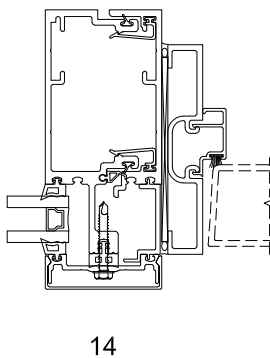
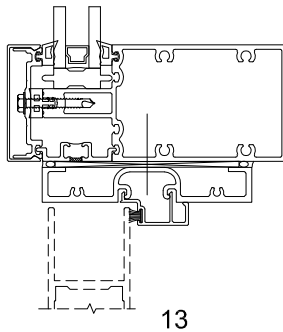
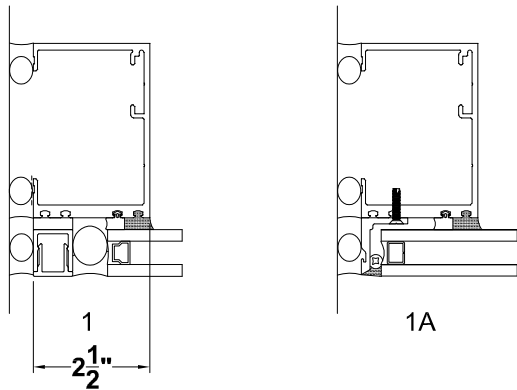
For specific product applications, contact your Tubelite representative.
Details on this page represent standard details found on our website.
For more options, visit our website at www.tubeliteinc.com/400-ss/



Tubelite reserves the right to change system configuration without prior notice when deemed necessary for product improvements.

Laws and building & safety codes governing the design and use of glazed entrance, window and curtain wall systems vary widely. Tubelite does not control the selection of product configurations, operating hardware or glazing materials, and assumes no responsibility thereof.

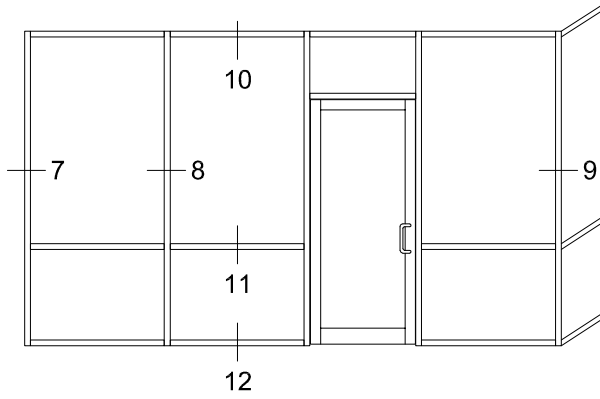
Optional Field Glazed Details
1/4 scale



TUBELITE®
DEPENDABLE
LEADERS IN ECO-EFFICIENT STOREFRONT,
CURTAINWALL AND ENTRANCE SYSTEMS

February 2020

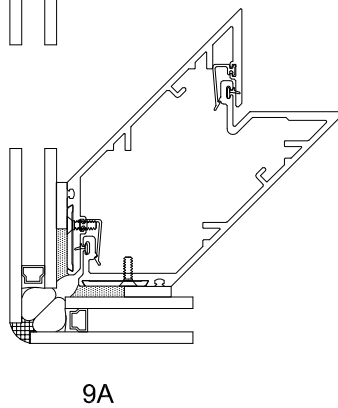
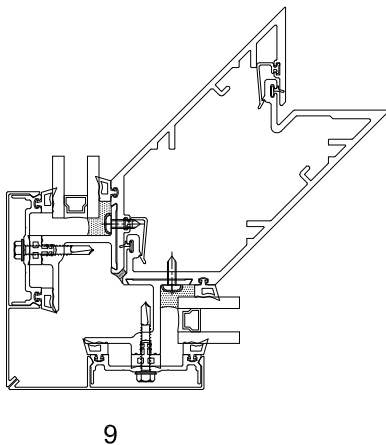
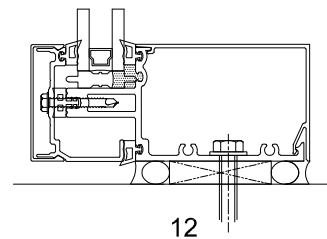
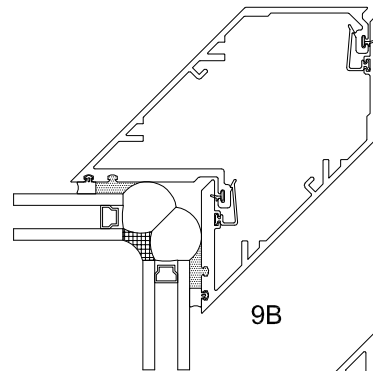
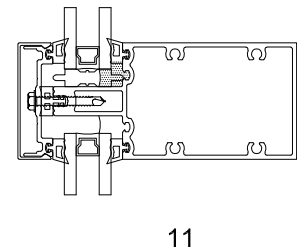
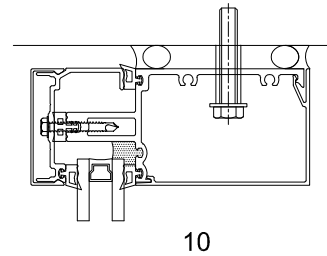
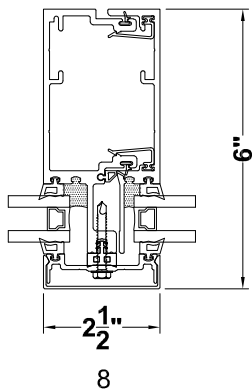
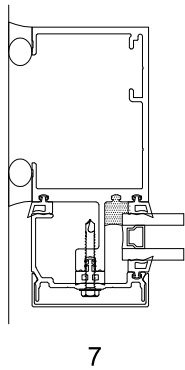
For specific product applications, contact your Tubelite representative.
Details on this page represent standard details found on our website.
For more options, visit our website at www.tubeliteinc.com/400-ss/



Tubelite reserves the right to change system configuration without prior notice when deemed necessary for product improvements.

Laws and building & safety codes governing the design and use of glazed entrance, window and curtain wall systems vary widely. Tubelite does not control the selection of product configurations, operating hardware or glazing materials, and assumes no responsibility thereof.

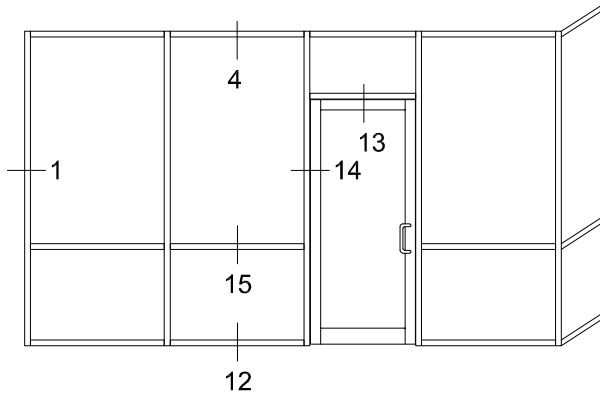
Standard Shop Glazed Details
1/4 scale



TUBELITE®
DEPENDABLE
LEADERS IN ECO-EFFICIENT STOREFRONT,
CURTAINWALL AND ENTRANCE SYSTEMS

February 2020

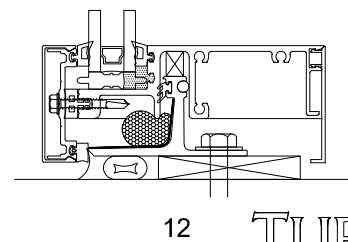
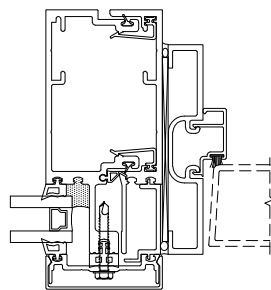
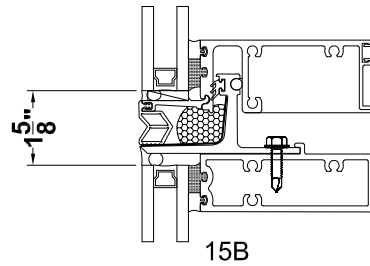
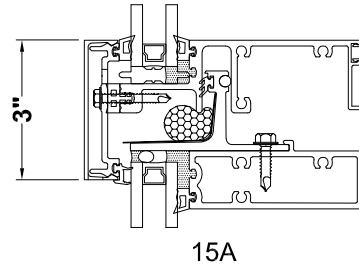
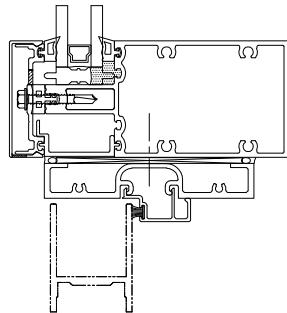
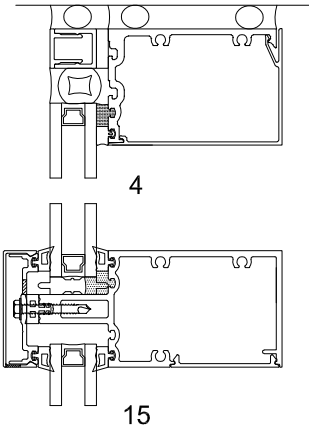
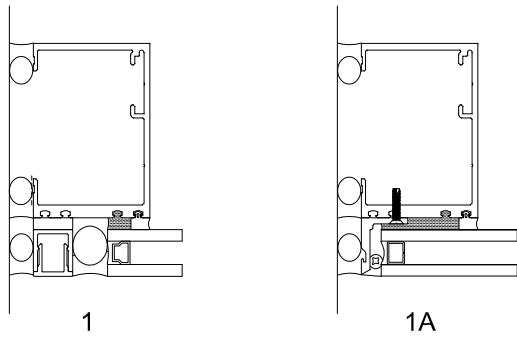
For specific product applications, contact your Tubelite representative.
Details on this page represent standard details found on our website.
For more options, visit our website at www.tubeliteinc.com/400-ss/



Tubelite reserves the right to change system configuration without prior notice when deemed necessary for product improvements.

Laws and building & safety codes governing the design and use of glazed entrance, window and curtain wall systems vary widely. Tubelite does not control the selection of product configurations, operating hardware or glazing materials, and assumes no responsibility thereof.

Optional Shop Glazed Details
1/4 scale



TUBELITE®
DEPENDABLE
LEADERS IN ECO-EFFICIENT STOREFRONT,
CURTAINWALL AND ENTRANCE SYSTEMS

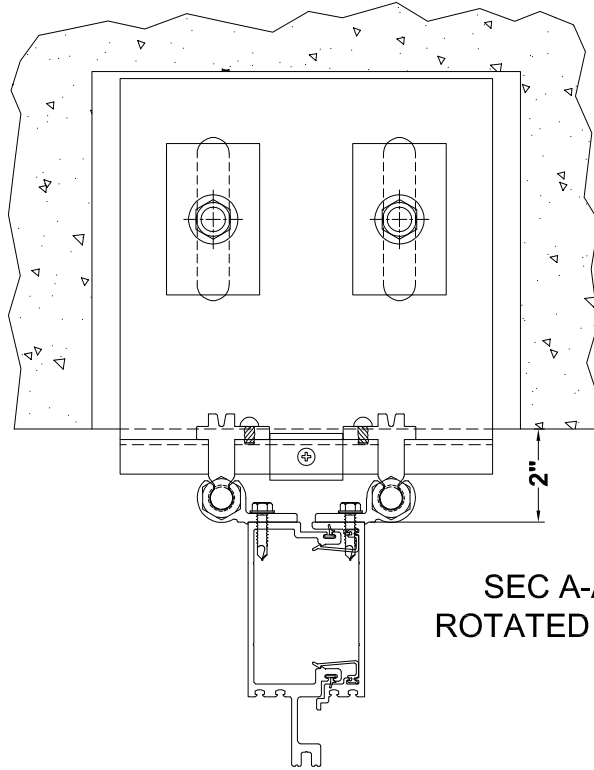
February 2020

For specific product applications, contact your Tubelite representative.
Details on this page represent standard details found on our website.
For more options, visit our website at www.tubeliteinc.com/400-ss/

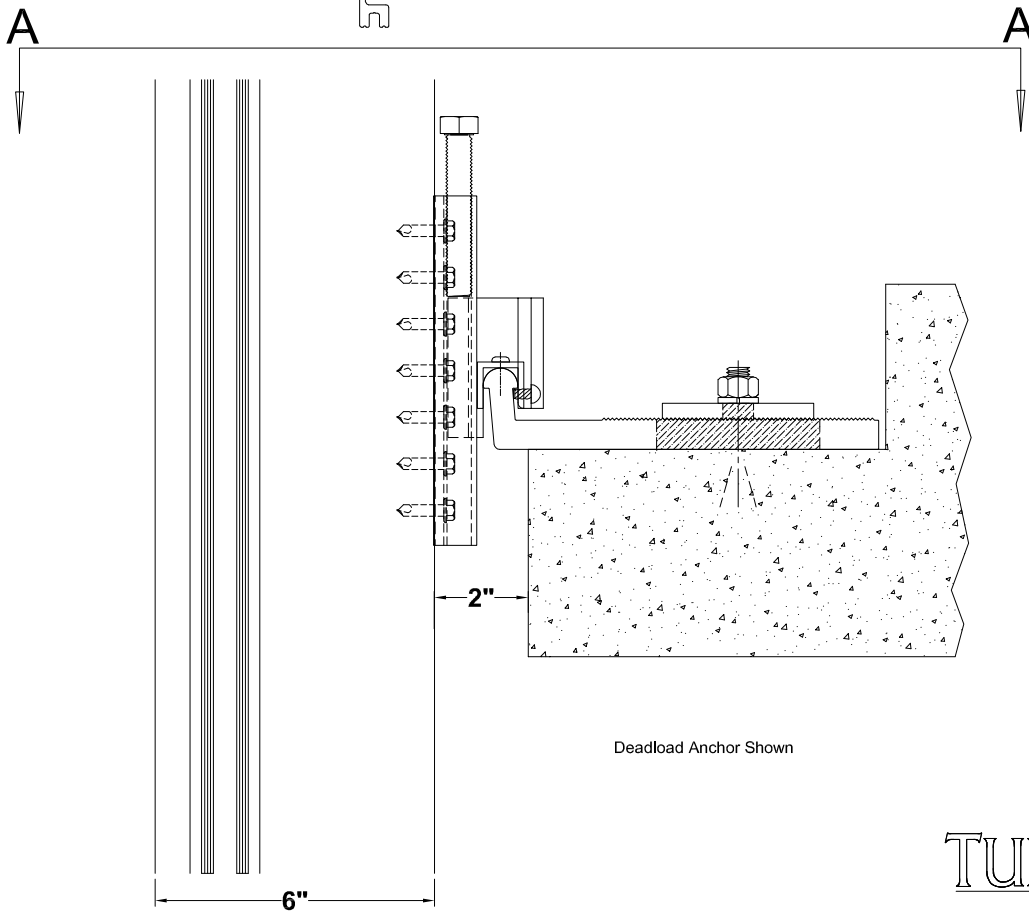
Tubelite reserves the right to change system configuration without prior notice when deemed necessary for product improvements.

Laws and building & safety codes governing the design and use of glazed entrance, window and curtain wall systems vary widely. Tubelite does not control the selection of product configurations, operating hardware or glazing materials, and assumes no responsibility thereof.

Optional Anchoring Details
1/4 scale



SEC A-A
ROTATED 90deg



Deadload Anchor Shown

February 2020

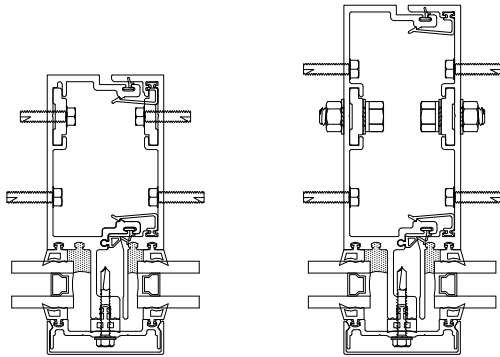
TUBELITE[®]
DEPENDABLE
LEADERS IN ECO-EFFICIENT STOREFRONT,
CURTAINWALL AND ENTRANCE SYSTEMS

For specific product applications, contact your Tubelite representative.
Details on this page represent standard details found on our website.
For more options, visit our website at www.tubeliteinc.com/400-ss/

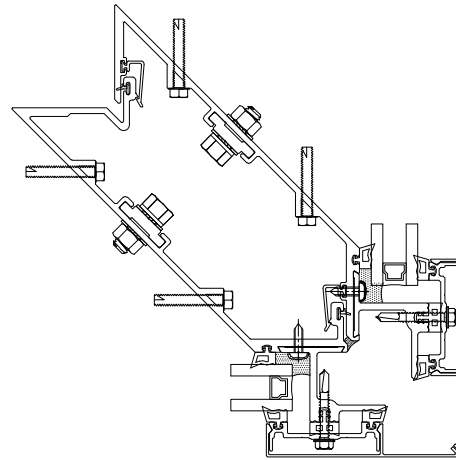
Tubelite reserves the right to change system configuration without prior notice when deemed necessary for product improvements.

Laws and building & safety codes governing the design and use of glazed entrance, window and curtain wall systems vary widely. Tubelite does not control the selection of product configurations, operating hardware or glazing materials, and assumes no responsibility thereof.

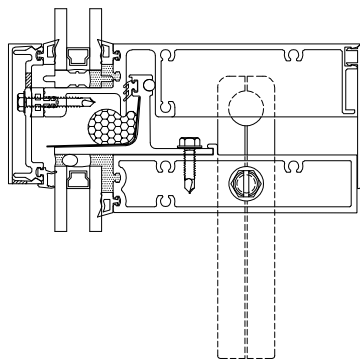
Shop Glazed Lifting Details 1/4 scale



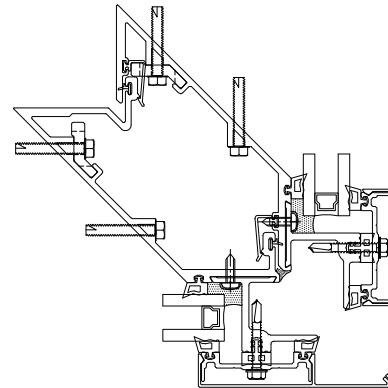
Lifting Lug at Vertical



Lifting Lug at Corners



Lifting Lug at Expansion Horizontal



Lifting Lug at Corners

February 2020

TUBELITE®
DEPENDABLE
LEADERS IN ECO-EFFICIENT STOREFRONT,
CURTAINWALL AND ENTRANCE SYSTEMS

For specific product applications, contact your Tubelite representative.
Details on this page represent standard details found on our website.
For more options, visit our website at www.tubeliteinc.com/400-ss/