

SERIES 900RW Ultra Thermal Ribbon Window
 2" x 4-1/2" dual thermal barrier, captured

TEST RESULTS

GLASS MAKEUP	STC	OITC
1" IGU: 1/4" PPG Solar Ban 70XL #2, 1/2" 90% argon, TRISEAL spacer, 1/4" Clear	31	25
1 -1/16" IGU: 1/4" PPG Solar Ban 70XL #2, 1/2" 90% argon, TRISEAL spacer, 5/16" Clear	35	31
1 -1/16" IGU - laminated: 1/4" PPG Solar Ban 70XL #2, 7/16" 90% argon, aluminum spacer, 3/16" - 0.030 PVB - 3/16"	36	32
Unit Size : 78-1/2" x 79-1/4" (glazed wall)		

TEST LAB

INTERTEK - ATI
 130 Derry Court
 York, PA 17406

Report Number	#F5138.01-113-11
Test Date	02/04/16
Report Date	02/16/16

Reference above report for complete test specimen description and data.

Tubelite Representative:



(sign) 9/11/19 (date)

Tim Fookes - Vice President Engineering (title)

TEST METHODS

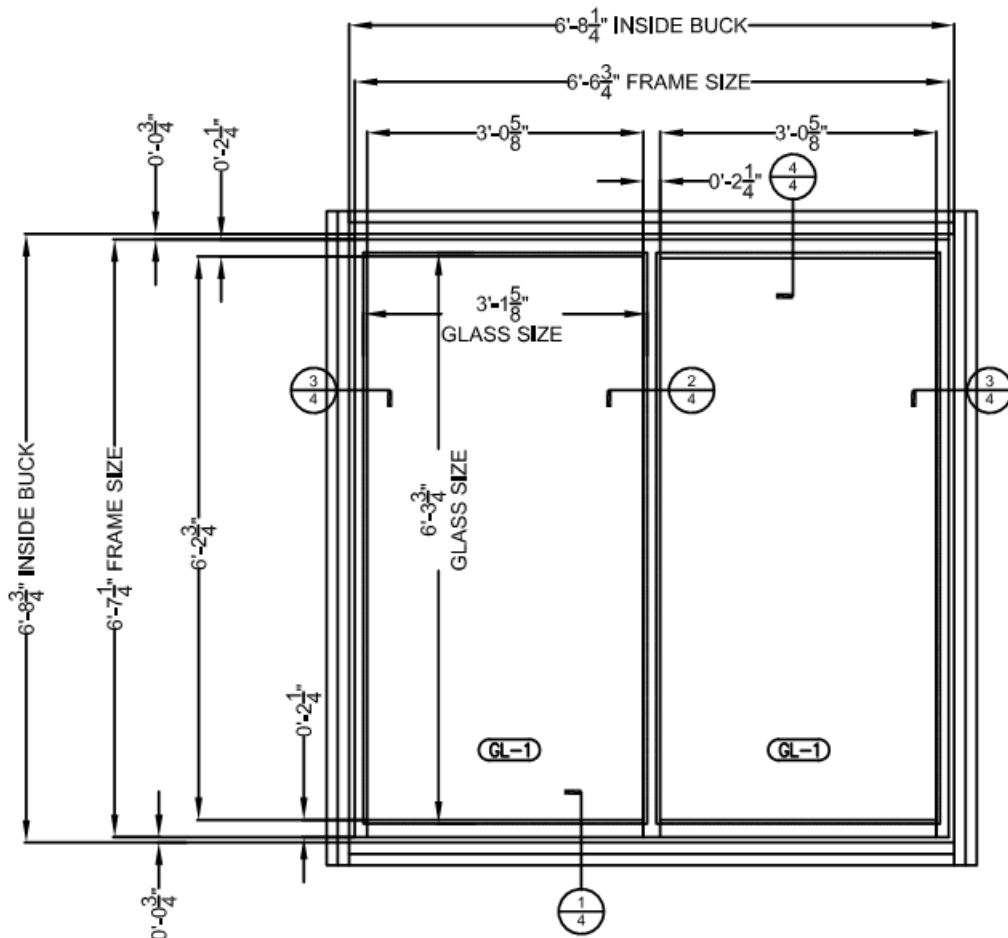
ASTM E90-09: *Standard Test Method for Laboratory Measurement of Airborne Sound Transmission Loss of Building Partitions and Elements.*

ASTM E413-10: *Classification for Rating Sound Insulation*

ASTM E1332-10a: *Standard Classification for Rating Outdoor-Indoor Sound Attenuation.*

ASTM E2235-04 (2012): *Standard Test Method for Determination of Decay Rates for Use in Sound Insulation Test Methods.*

TEST SPECIMEN



Reference report #F5138.01-113-11, dated 02/16/16, for complete test specimen description and data. Contact a Tubelite representative for more information.