

Thursday, January 08, 2015

Standard Offset Pivot and Threshold Changes - REMINDER

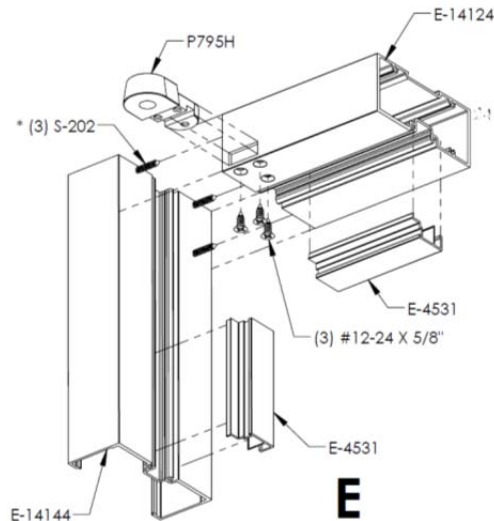
To: All Tubelite Customers

PLEASE MAKE SURE THIS INFORMATION HAS BEEN SHARED WITH THE APPROPRIATE INDIVIDUALS WITHIN YOUR COMPANY

As we have previously communicated on May 1, the cut-off date for ordering fabricated doors and frames using Tubelite's discontinued P695 offset pivots is July 31, 2014.

Loose pivots for replacement parts can be purchased beyond July. P695 is not interchangeable with the new offset pivot P795.

The new pivots have now been tested continuously for over 1,000,000 open/close cycles without failure.



Yours truly,

Mary Olivier
Director of Marketing