

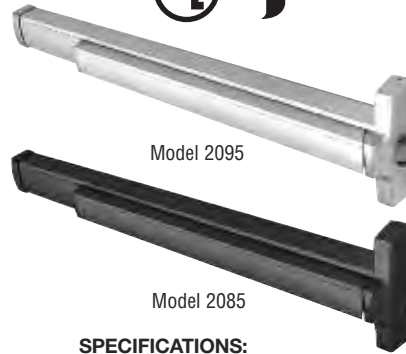
# CRL PANIC EXIT DEVICES

## CRL Jackson 20 Series Panic Exit Devices

- Designed for Use With 1-3/4" (44 mm) Narrow, Medium, and Wide Stile Aluminum, Wood, or Hollow Metal Doors
- Concealed Fastening for Added Security

This CRL Jackson Panic Exit Device is designed to withstand wear and tear, yet remain aesthetically pleasing. Each part is manufactured from the highest quality materials, which are hand fitted and adjusted for a smooth, whisper-quiet operation. The Touch Pad with "Soft-Touch" insert requires only slight pressure anywhere on the bar insert for a smooth release.

Available in both a Rim and Concealed Vertical Rod versions, this device is suitable for use with 1-3/4" (44.5 mm) narrow, medium, and wide stile aluminum, wood, or hollow metal doors. It complies with ANSI 156.3, Grade 1 Specification. For active outside trim and other panic accessories, see pages D461-D463.



2085 Series  
Top Latch  
Panic Device



2086 Series  
Top Bolt  
Panic Device



### SPECIFICATIONS:

- Standard for 36" (914 mm) Wide Door – Field Sizeable up to 48" (1219 mm) Width Available
- Concealed Easy to Use Dogging System – Optional Cylinder Dogging is Available
- Wear Points Insulated by Nylon Sleeves and Rollers

### 2085 Concealed Vertical Rod Device – Top Latch

- Positive Locking, Spring Loaded Top Latch
- Standard Height 84" (2134 mm); See Page D462 for Extensions
- Requires Mortise Cylinder and Series 30821J Mounting Pad for Keyed Entry. See Pages D462-D463 for Cylinders and Pads

### 2086 Concealed Vertical Rod Device – Top Bolt

- Top and Bottom Bolt Action – 1/2" (13 mm) Throw
- Standard Height 84" (2134 mm); See Page D462 for Extensions
- Requires Mortise Cylinder and Series 30821J Mounting Pad for Keyed Entry. See Pages D462-D463 for Cylinders and Pads

### CONCEALED VERTICAL ROD EXIT DEVICES

| TOP LATCH CAT. NO. | TOP BOLT CAT. NO. | LENGTH – HANDING                       | FINISH         |
|--------------------|-------------------|--|----------------|
| 312085L37628       | 312086L37628      | 36" (914 mm) Left Hand-Reverse Bevel   | Satin Aluminum |
| 312085R37628       | 312086R37628      | 36" (914 mm) Right Hand-Reverse Bevel  | Satin Aluminum |
| 312085L37313       | 312086L37313      | 36" (914 mm) Left Hand-Reverse Bevel   | Dark Bronze    |
| 312085R37313       | 312086R37313      | 36" (914 mm) Right Hand-Reverse Bevel  | Dark Bronze    |
| 312085L47628       | 312086L47628      | 48" (1219 mm) Left Hand-Reverse Bevel  | Satin Aluminum |
| 312085R47628       | 312086R47628      | 48" (1219 mm) Right Hand-Reverse Bevel | Satin Aluminum |
| 312085L47313       | 312086L47313      | 48" (1219 mm) Left Hand-Reverse Bevel  | Dark Bronze    |
| 312085R47313       | 312086R47313      | 48" (1219 mm) Right Hand-Reverse Bevel | Dark Bronze    |

Minimum order: 1 each. All Panic Exit Devices can be combined for quantity pricing.



'C' Strike



'S' Strike

### 2086I Impact Concealed Vertical Rod – Top Bolt

- Available for impact resistant applications under Miami-Dade County rules and regulations governing the use of construction materials when used with properly tested and approved doors. Simply add an "I" behind the model number.

**Example:** 312086I1L37628

### RIM EXIT DEVICES

| 'C' STRIKE CAT. NO. | 'S' STRIKE CAT. NO. | LENGTH – HANDING                       | FINISH         |
|---------------------|---------------------|--|----------------|
| 312095LC3628        | 312095LS3628        | 36" (914 mm) Left Hand-Reverse Bevel   | Satin Aluminum |
| 312095RC3628        | 312095RS3628        | 36" (914 mm) Right Hand-Reverse Bevel  | Satin Aluminum |
| 312095LC3313        | 312095LS3313        | 36" (914 mm) Left Hand-Reverse Bevel   | Dark Bronze    |
| 312095RC3313        | 312095RS3313        | 36" (914 mm) Right Hand-Reverse Bevel  | Dark Bronze    |
| 312095LC4628        | 312095LS4628        | 48" (1219 mm) Left Hand-Reverse Bevel  | Satin Aluminum |
| 312095RC4628        | 312095RS4628        | 48" (1219 mm) Right Hand-Reverse Bevel | Satin Aluminum |
| 312095LC4313        | 312095LS4313        | 48" (1219 mm) Left Hand-Reverse Bevel  | Dark Bronze    |
| 312095RC4313        | 312095RS4313        | 48" (1219 mm) Right Hand-Reverse Bevel | Dark Bronze    |

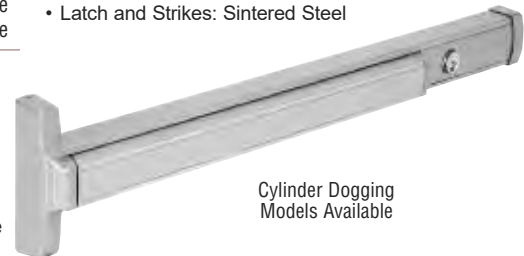
Minimum order: 1 each. All Panic Exit Devices can be combined for quantity pricing.

### 2095 Rim Device

- Requires Rim Cylinder for Keyed Entry; See Page D463 for Cylinders
- Cylinder Mounting Pad Not Required
- 3/4" (19 mm) Throw Deadlocking Latch

### MATERIALS:

- Body and Push Pad: Extruded Aluminum
- Mechanical Components: Stainless and Hardened Plated Steel
- Latch and Strikes: Sintered Steel



Cylinder Dogging  
Models Available

## Cylinder Dogging

Cylinder dogging is available when specified by adding "C" behind the model number. The Exit Device is supplied with the required prep and special cam only that is required to be used with a 1-1/8" Mortise Cylinder that is not supplied with the device and must be purchased separately. See DC7185SC Series on page D463.

**Example:** 312095C<sup>U</sup>LC3628