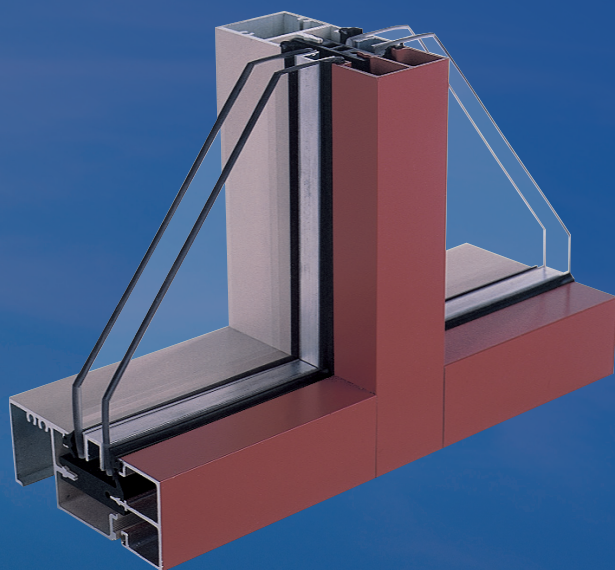


VersaTherm Storefront Framing

VersaTherm Storefront Framing is our most versatile and economical storefront framing system. The flexible design allows for on-site fabrication in applications ranging from punched openings to mall fronts. VersaTherm is available in a large selection of profiles. Snap-on covers and backmembers, available in a variety of colors, allow for contrasting interior and exterior finishes. Finish options and glass positioning from frame exterior to center meet a wide range of aesthetic requirements.

Snap-on covers and back members are "locked" together by a unique thermal barrier clip. This clip ensures that interior and exterior metal members remain separate while firmly connected, virtually eliminating the transference of frost and condensation. High-performance verticals and compatibility with Tubelite stock doors create a complete and truly versatile system.



Standard Narrow
Stile Entrances

ALSO
USED
WITH

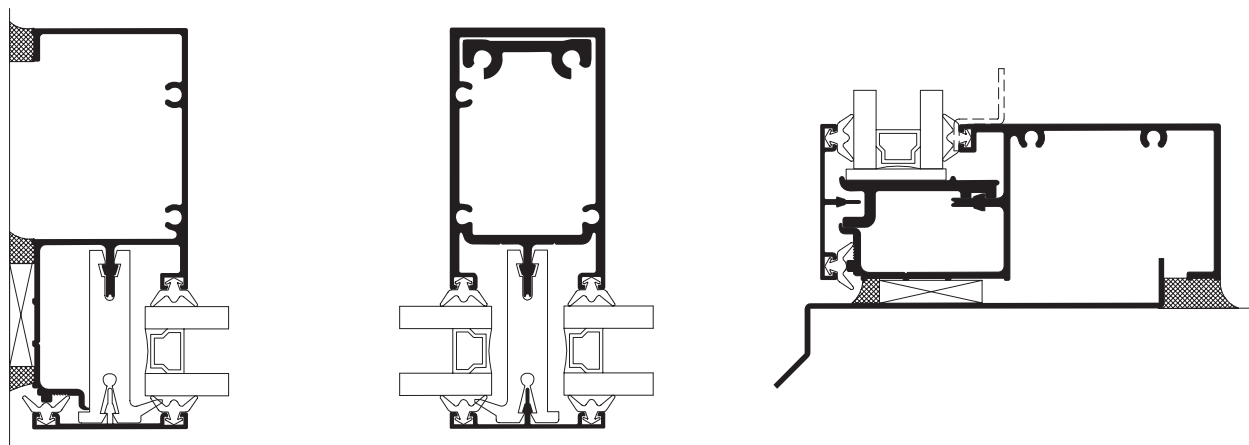


200 Series
Curtainwall

TUBELITE[®]
DEPENDABLE

LEADERS IN ECO-EFFICIENT STOREFRONT,
CURTAINWALL AND ENTRANCE SYSTEMS

VersaTherm Storefront Framing

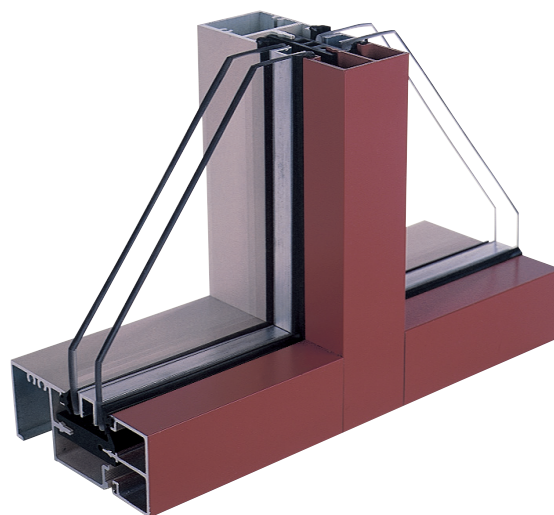


System Features:

- Standard 1-3/4" (44.45mm) sight-line on perimeter members
- 3-1/2" (88.9mm) to 6-5/8" (168.275mm) system depth
- Thermal Clip thermal break
- EPDM wedge type and fixed gaskets for 1" glass or panel thickness
- Non-thermal Framing

Optional Features:

- Screw-spline or shear block connections
- Easily integrates with standard or thermal doors and operable vent windows
- A wide variety of standard anodized and painted colors are available to complement any project with warranted protection, as well as street appeal.
- Curved Headers



Tubelite® VersaTherm Product Specifications

Application: Low and mid-rise commercial buildings including retail, office, healthcare, schools, etc.

Description: 1-3/4" x (3-1/2" to 6-5/8") field glazed, shear block – screw spline storefront

Face Width:	Overall Depths:	Glass:	Air Infiltration:	Water Infiltration:	Structural:	U-Factor**:	CRF:
1-3/4"	3-1/2" to 6-5/8"	1" (1/4")	0.06 CFM/Ft.2 @ 6.24 PSF	12 - Static	40 PSF - Design	0.36 - Thermally Broken	64 _F 55 _C

** U-Factor per NFRC 100: COG = 0.24 with warm edge spacer, 1-3/4" x 4-1/2" non-thermal frame

Refer to the U-Factor table at: www.tubeliteinc.com/products/storefront/versatherm-storefront-framing/ for other glass makeups and configurations.

DISCLAIMER: Tubelite takes no responsibility for product selection or application, including, but not limited to, compliance with building codes, safety codes, laws, merchantability or fitness for a particular purpose; and further disclaims all liability for the use, in whole or in part, of this Technical Guide in preparation of project specifications and/or other documents. Technical Guides are subject to change at any time, without notice, and at Tubelite's sole discretion. ©2017 Tubelite Inc.

060821