

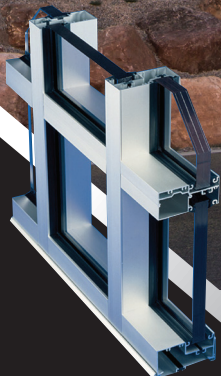
400 Series Curtainwall

Designed for low- and mid-rise applications, the durable framework of the 400 Series Curtainwall provides exceptional structural performance reducing the need for steel reinforcing. This system has a sightline of 2-1/2" and the strength of variable-depth backmembers from 3-3/8" to 8". An exterior screw-applied pressure bar secures the glass.

Snap-on covers, available in a wide range of colors, allow for different finishes on interior and exterior exposed surfaces. Silicone-glazed verticals are available for a seamless appearance.



**Standard Medium
Stile Entrances**



**14000 I/O Series
Multiplane
Storefront Framing**

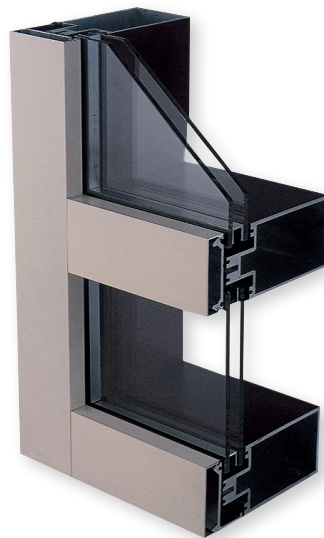
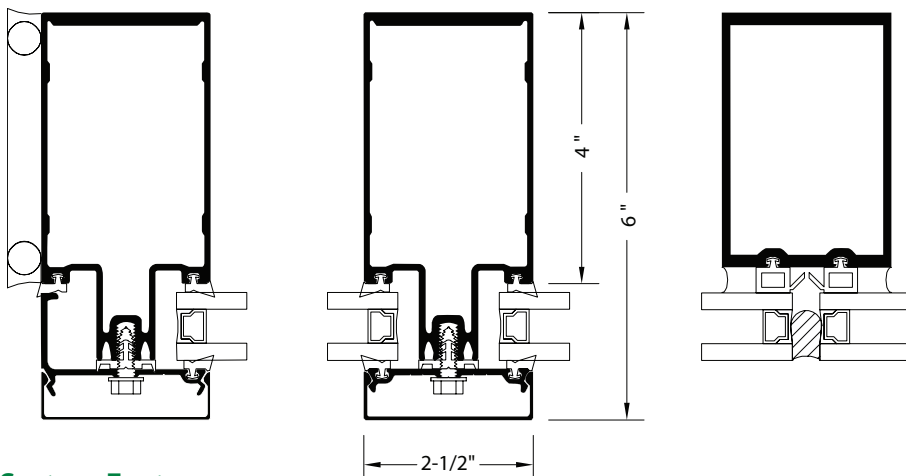
Utah State University – Wayne Estes Sports, Logan, UT

**ALSO
USED
WITH**

TUBELITE[®]
DEPENDABLE

LEADERS IN ECO-EFFICIENT STOREFRONT,
CURTAINWALL AND ENTRANCE SYSTEMS

400 Series Curtainwall



System Features:

- Standard 6" (152.4mm) 7-1/2" and 10" depth systems have a 2-1/2" (63.5mm) sight line
- Outside glazed pressure-plate system available in captured and structural glazed configurations
- Standard infill option 1" (25.4mm), other infills available
- Thermally Improved using a continuous 1/8" (3.2mm) EPDM Isolator
- Can be shop-fabricated for labor savings
- Silicone compatible glazing materials for long-lasting seals
- Captured & SSG inside and outside corners available

Optional Features:

- Steel reinforcing available
- Optional deep profile and bull nose covers available
- Silicone glazed intermediate verticals & horizontals available
- Polyamide pressure plates available
- Easily integrates with Tubelite's, Entrances, 3700 and Phantom 5000 Insert Vents and Maxblock Sunshades
- Deep and heavy-weight mullions available

400 Series Curtainwall Product Specifications

Application: Low and mid-rise Commercial buildings including retail, office, healthcare, schools, etc.

Description: 2-1/2" x (5-5/8" to 10") field glazed, shear block construction curtainwall

Face Width:	System Depth:	Glass:	Air Infiltration:	Water Infiltration:	Structural:	CRF:	U-Factor**:	Acoustic:
2-1/2"	6" to 10"	1" std (1/4" – 1-1/8")	0.06 CFM/Ft.2 @ 6.24 PSF	15 PSF – Static 15 PSF – Dynamic	60 PSF – Design 90 PSF – Overload	66 _f 66 _g – Aluminum PP 79 _f 76 _g – Thermal PP 72 _f 69 _g – 4 Sided SSG	0.39 – Aluminum PP 0.34 – Thermal PP 0.31 – SSG	STC 32 OITC 26

** U-Factor per NFRC 100: COG = 0.24 with warm edge spacer, 1-3/4" x 4-1/2" non-thermal frame. Refer to the U-Factor table at: www.tubeliteinc.com/products/curtainwall/400-series-curtainwall/ for other glass makeups and configurations.

DISCLAIMER: Tubelite takes no responsibility for product selection or application, including, but not limited to, compliance with building codes, safety codes, laws, merchantability or fitness for a particular purpose; and further disclaims all liability for the use, in whole or in part, of this Technical Guide in preparation of project specifications and/or other documents. Technical Guides are subject to change at any time, without notice, and at Tubelite's sole discretion. ©2018 Tubelite Inc.

011123

TUBELITE®

DEPENDABLE

LEADERS IN ECO-EFFICIENT STOREFRONT,
CURTAINWALL AND ENTRANCE SYSTEMS