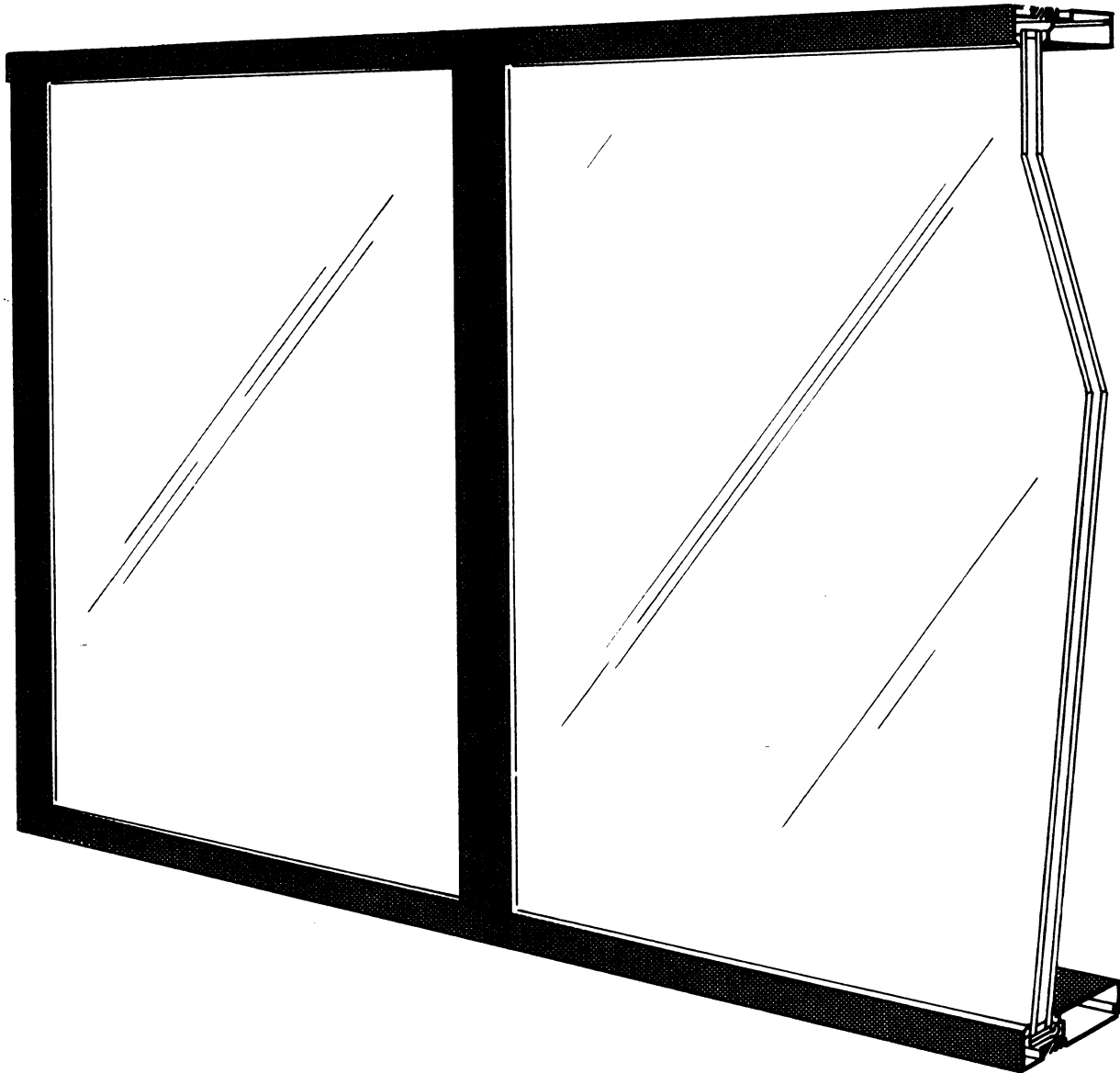


18.01 1900 Series-II 2 1/2" x 4 1/2" Framing Description



Description

Tubelite 1900 Series-II Framing is an inside glazed fixed window for use on low to medium rise types of construction with horizontal window configurations of repetitive design. The 2 1/2" face width matches sightlines for Tubelite's 400 Series Curtainwall in Section 21.

Glazing is positioned to the building exterior with a minimum of metal exposure

to shed water and other environmental conditions effectively.

Any water penetrating the exterior fixed gaskets is weeped to the exterior through the sill member.

It is available in both thermally broken and non-thermal designs to achieve energy efficiency requirements.

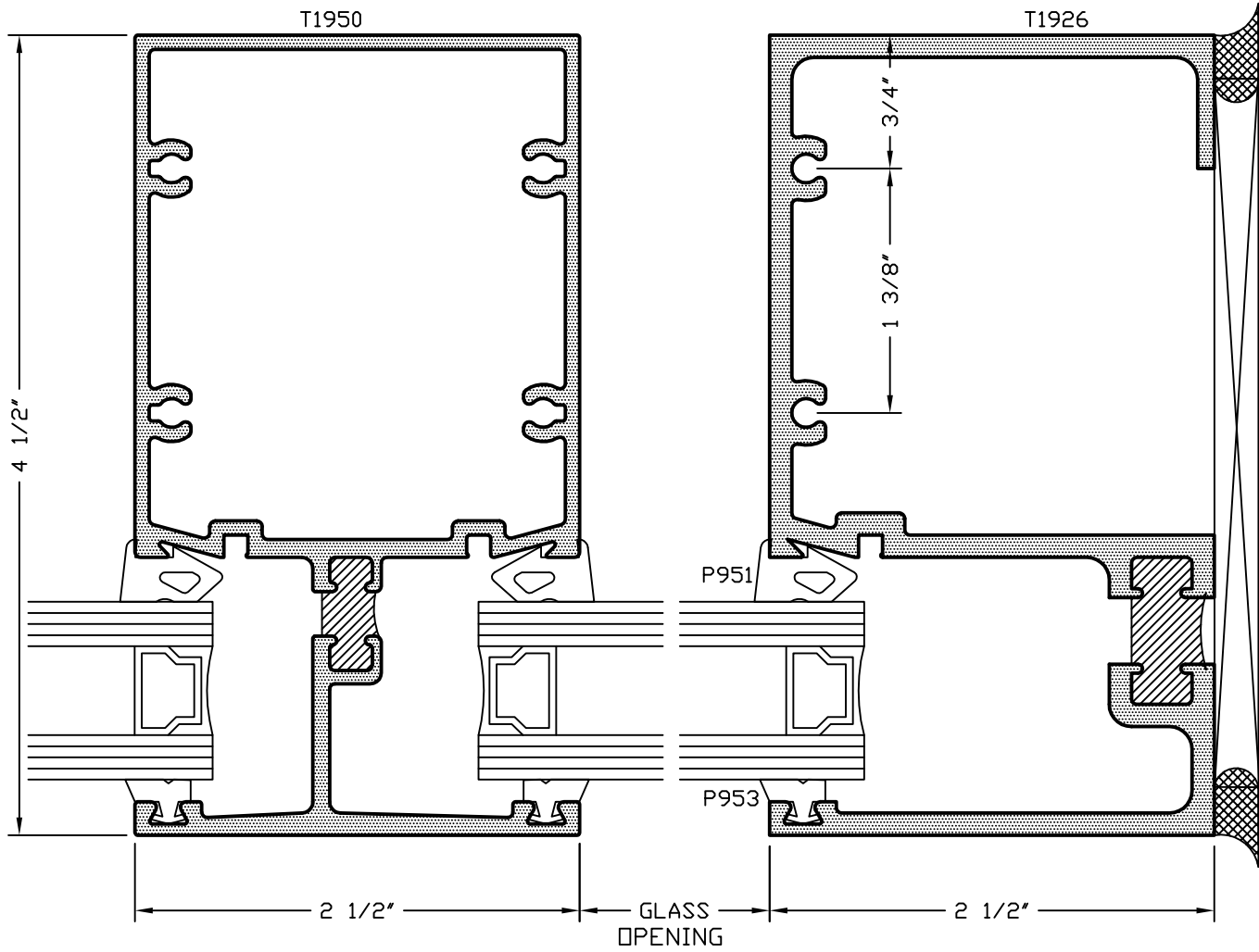
18.02

T1900 Series II - 2 1/2" x 4 1/2"

Vertical & Jamb

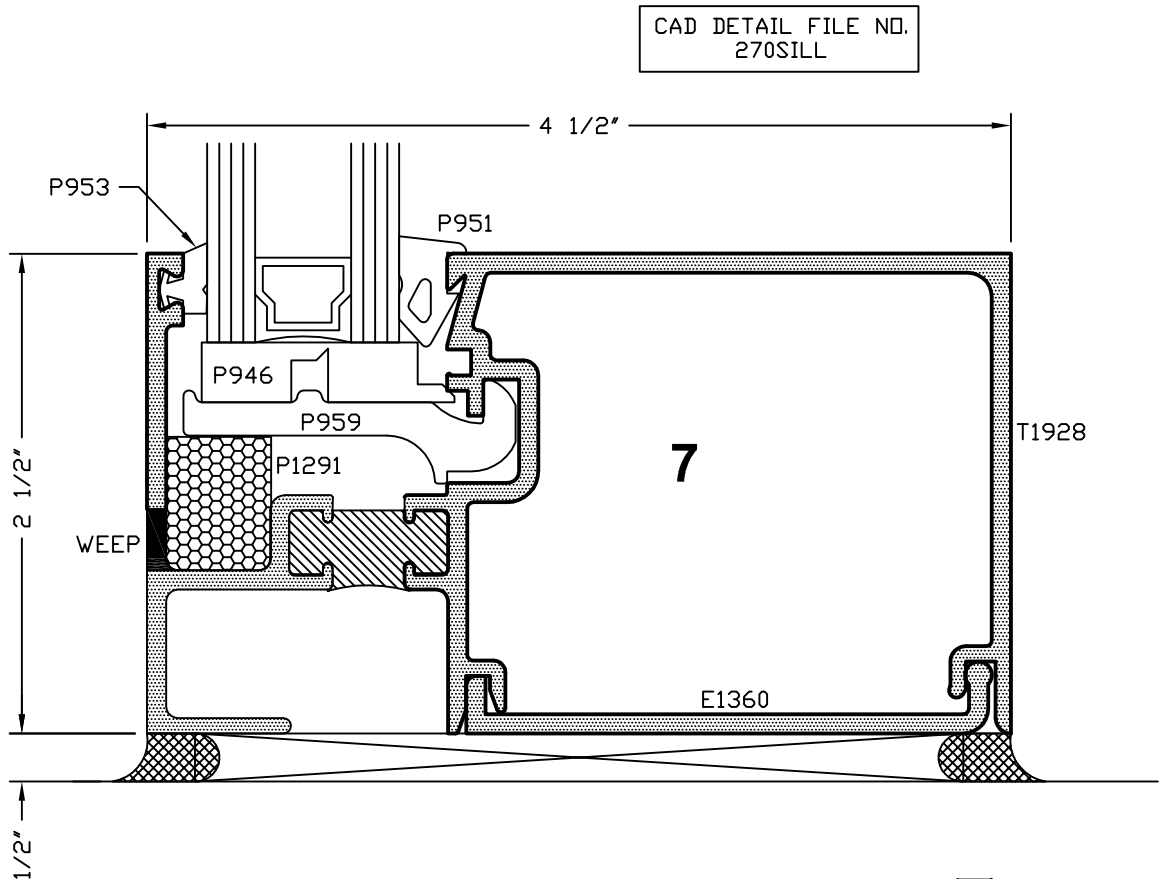
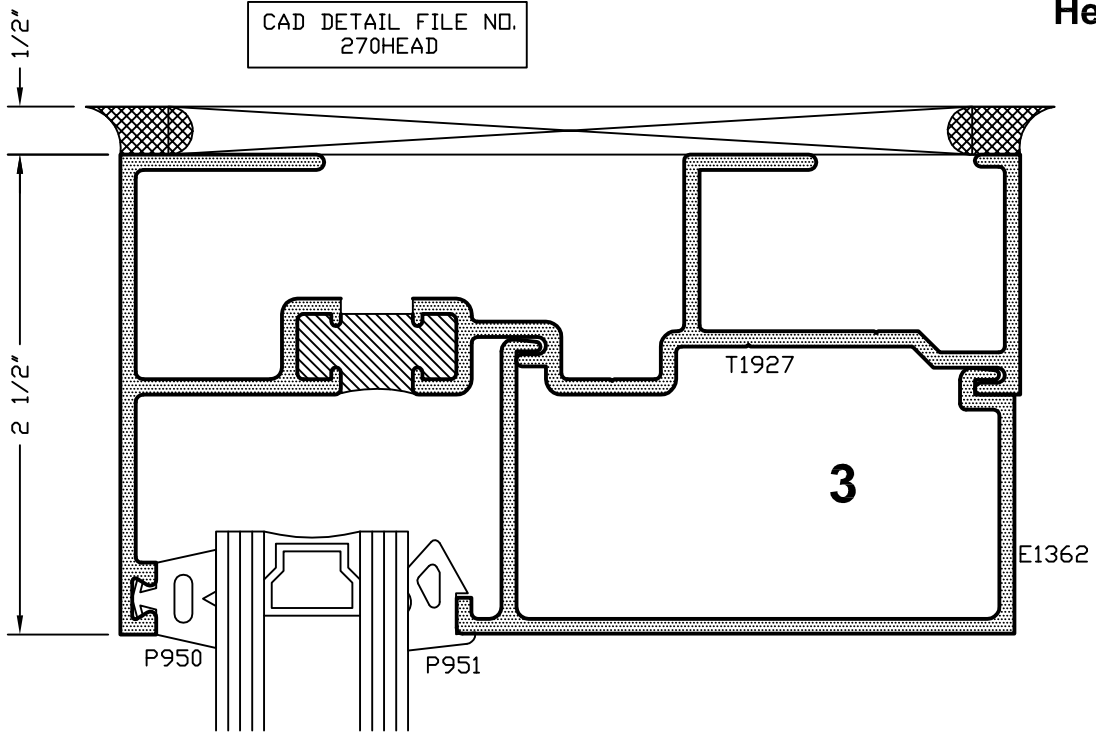
CAD DETAIL FILE NO.
270VERT

CAD DETAIL FILE NO.
270JAMB



T1900 Series II - 2 1/2" x 4 1/2"

Head & Sill



*SEALANT, ROD, & ANCHORS NOT BY TUBELITE