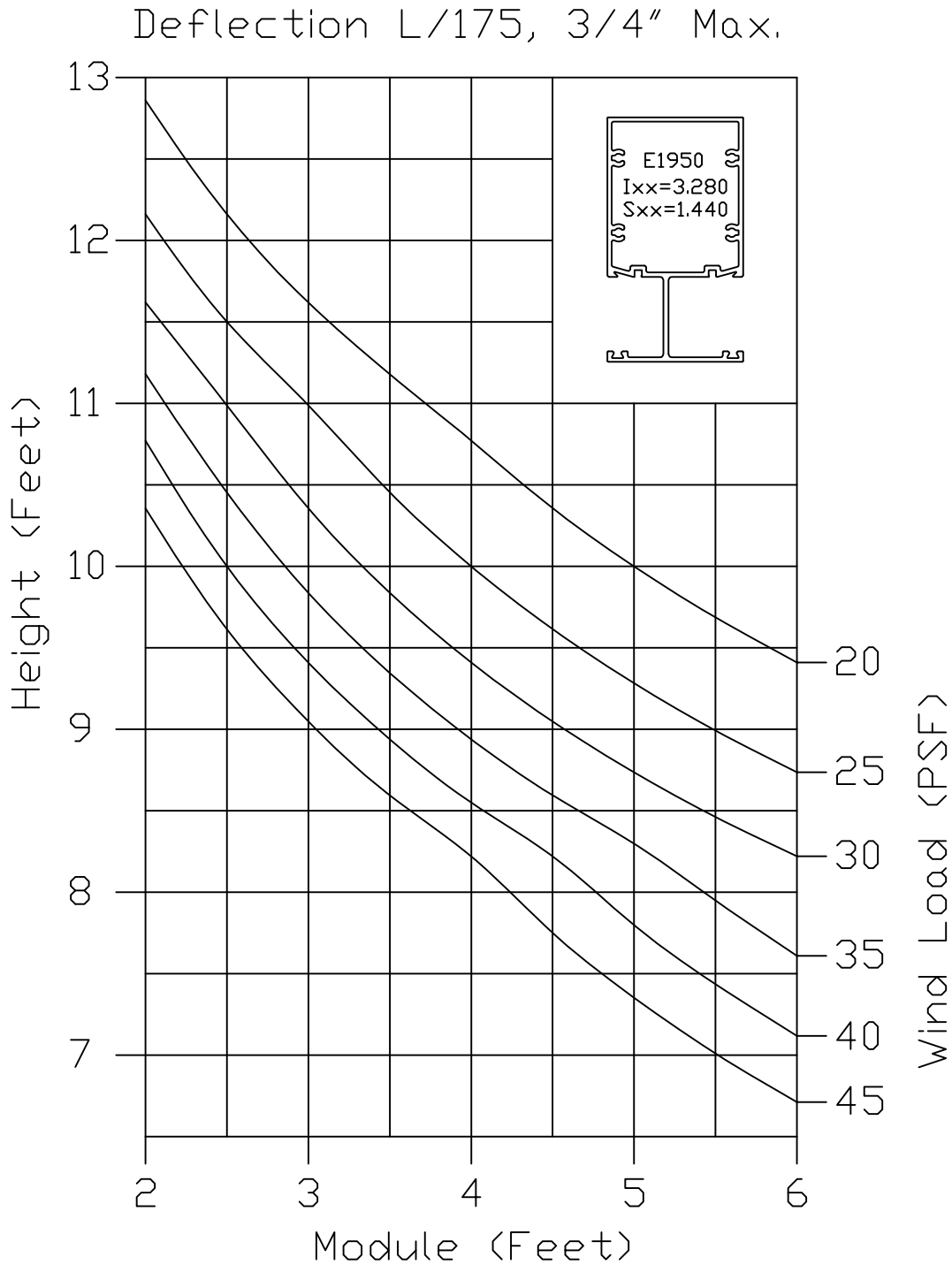


# E1900 Series I

## E1950 Wind Load Chart

CAD DETAIL FILE NO.  
E1950 WLC

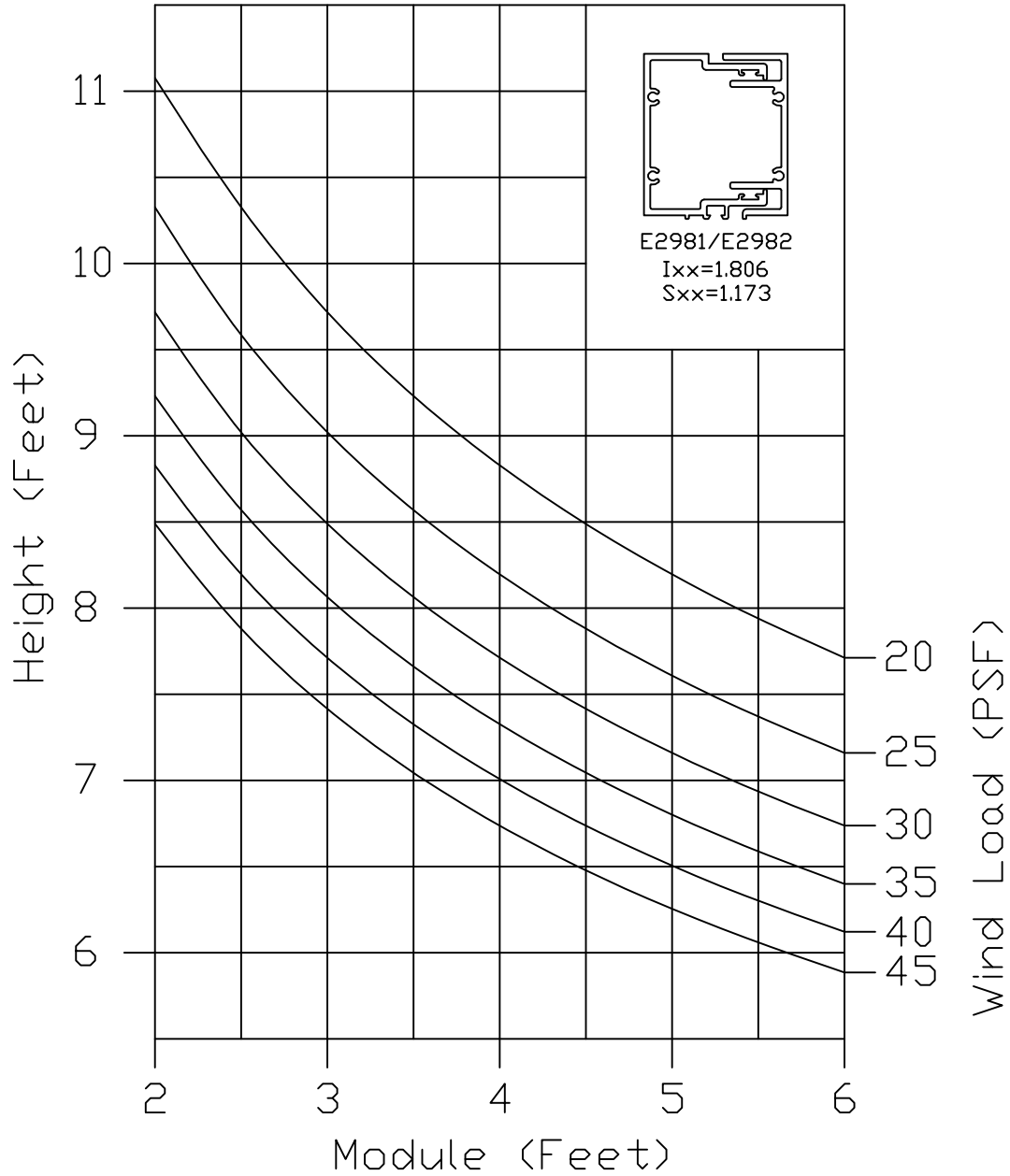


# E1900 Series I

## E2981 and E2982 Wind Load Chart

CAD DETAIL FILE NO.  
E2981 E2982 WLC

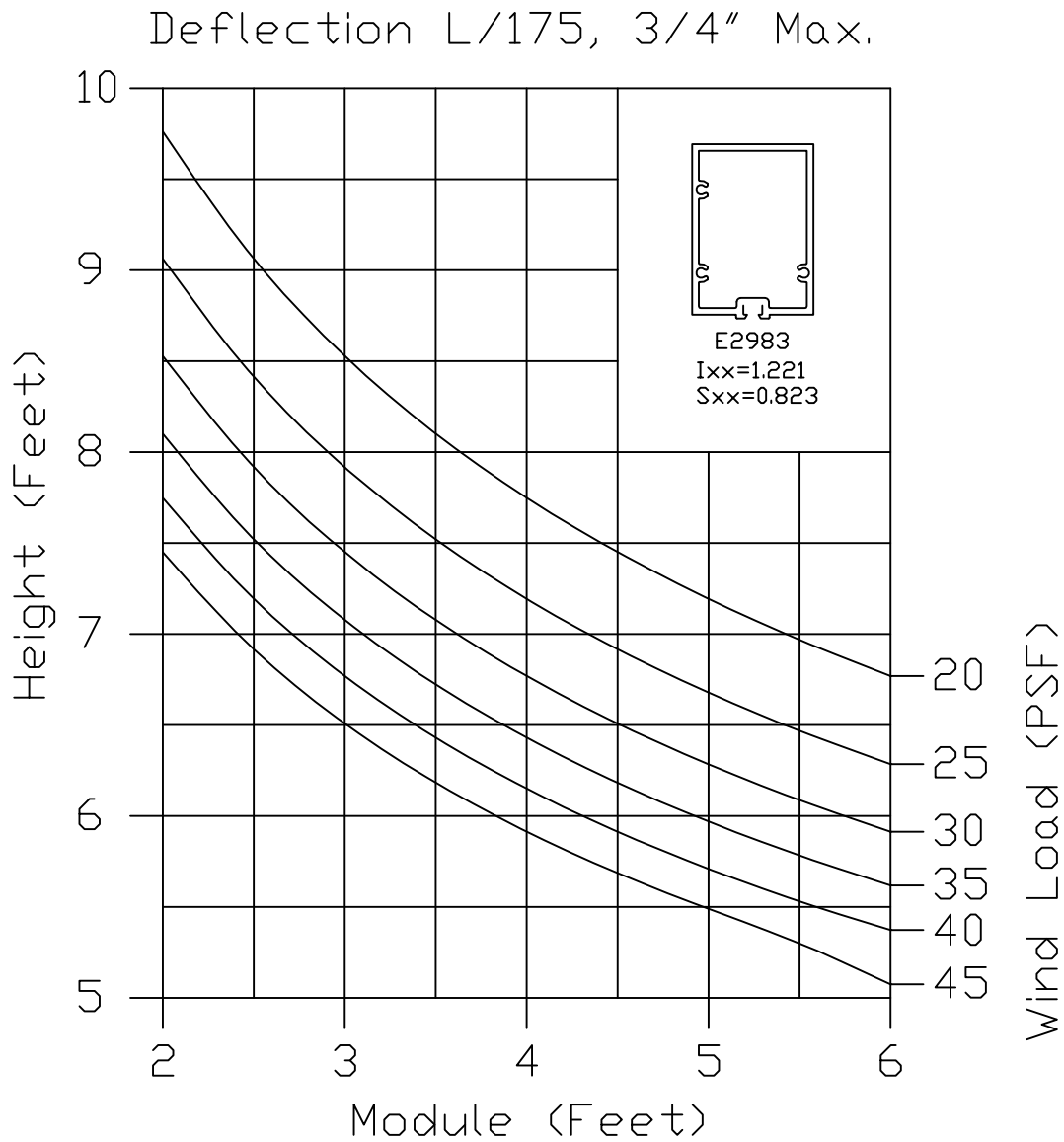
Deflection L/175, 3/4" Max.



# E1900 Series I

## E2983 Wind Load Chart

CAD DETAIL FILE NO.  
E2983 WLC

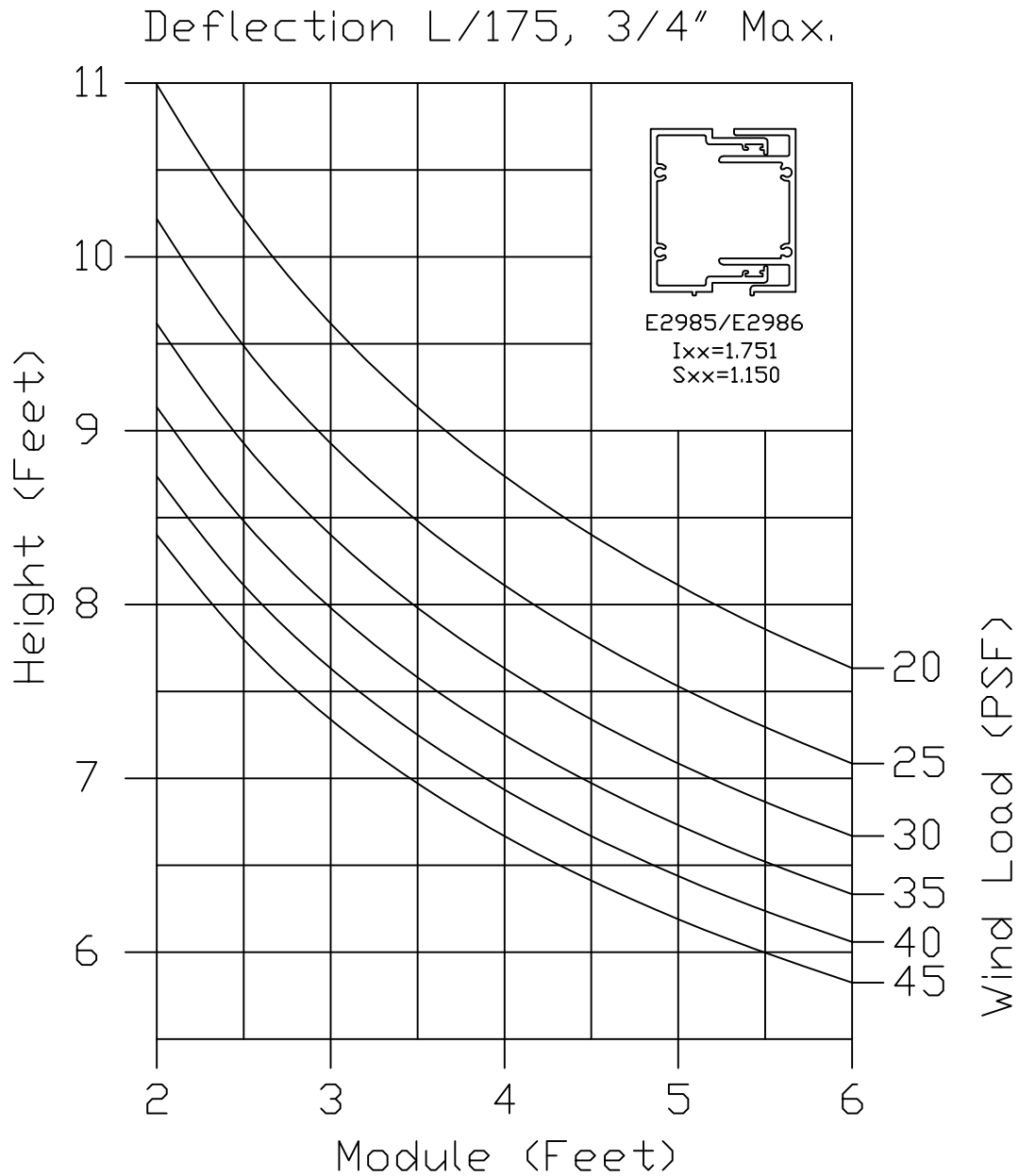


\*SEALANT, ROD, & ANCHORS NOT BY TUBELITE

# E1900 Series I

## E2985 and E2986 Wind Load Chart

CAD DETAIL FILE NO.  
E2985 E2986 WLC

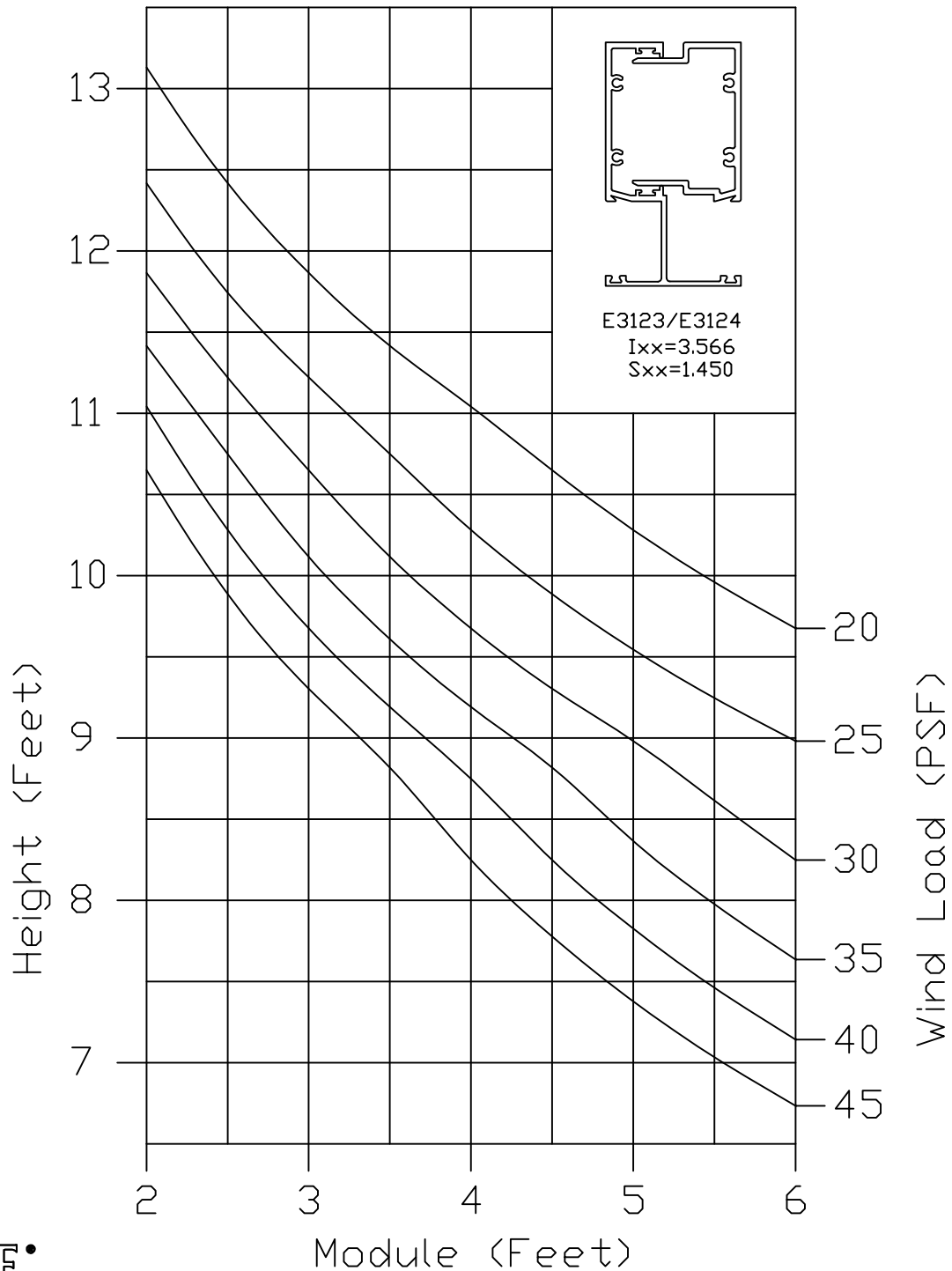


# E1900 Series I

## E3123 and E3124 Wind Load Chart

CAD DETAIL FILE NO.  
E3123 E3124 WLC

Deflection  $L/175$ ,  $3/4"$  Max.

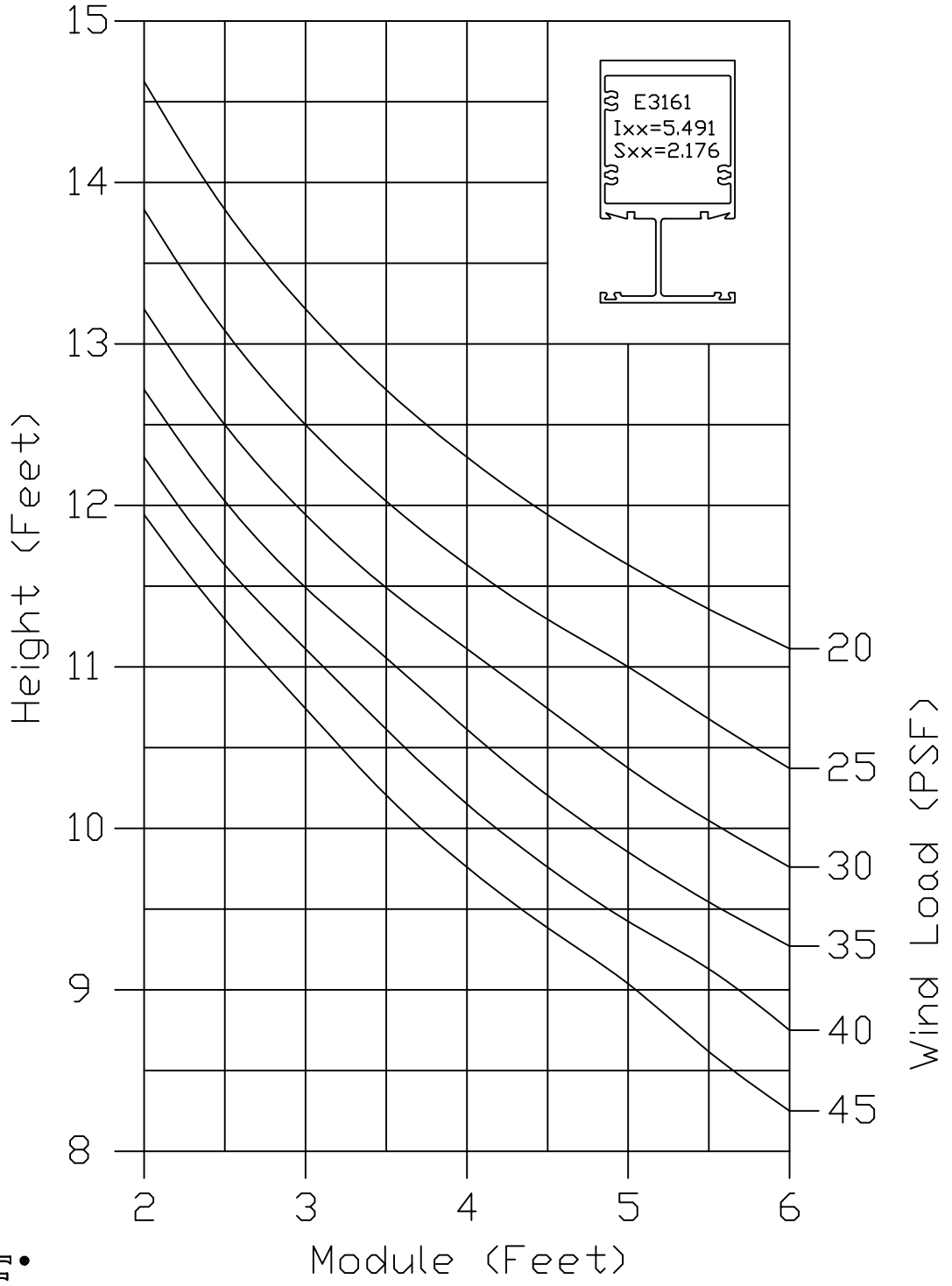


# E1900 Series I

## E3161 Wind Load Chart

CAD DETAIL FILE NO.  
E3161 WLC

Deflection L/175, 3/4" Max.

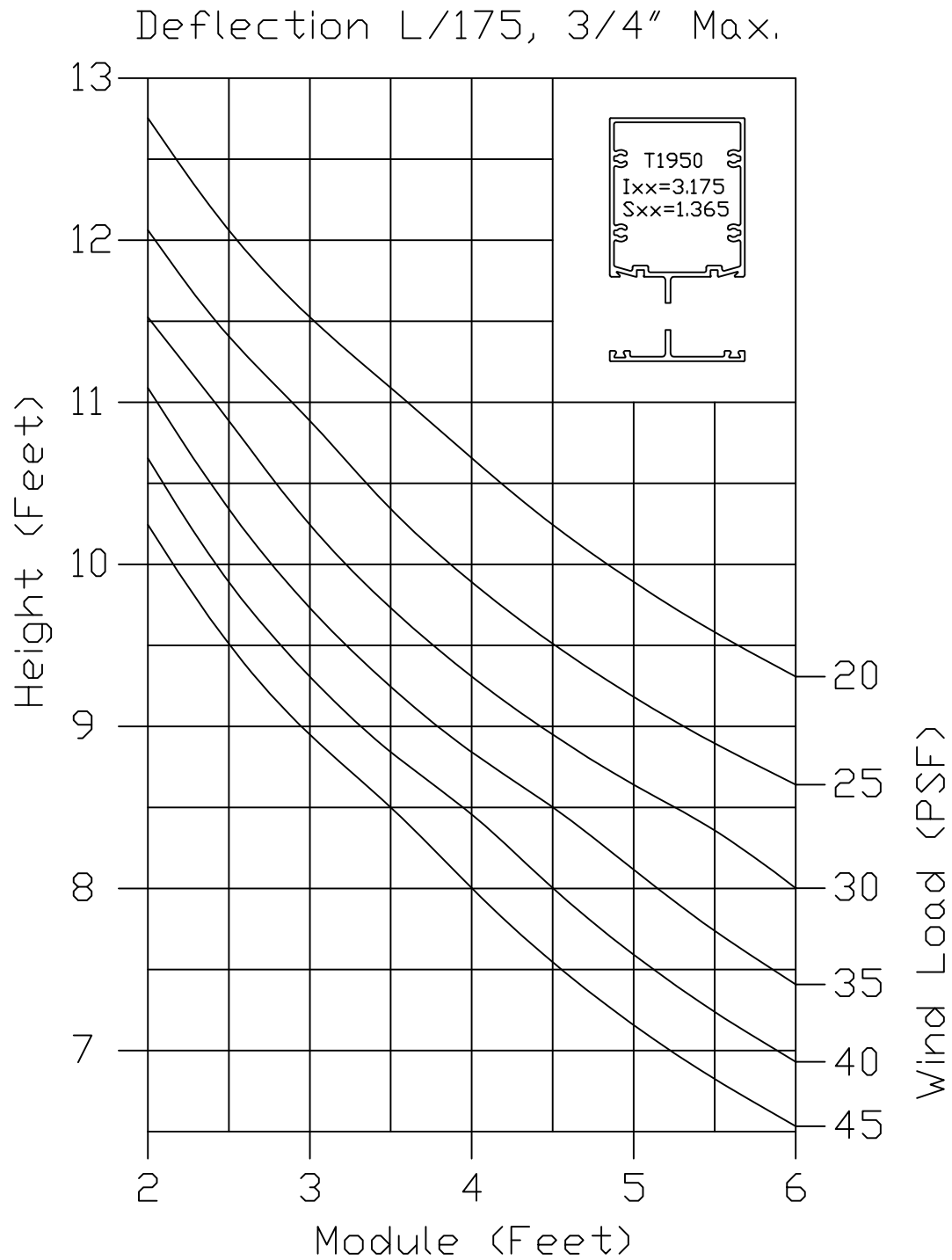


\*SEALANT, ROD, & ANCHORS NOT BY TUBELITE

# T1900 Series I

## T1950 Wind Load Chart

CAD DETAIL FILE NO.  
T1950 WLC

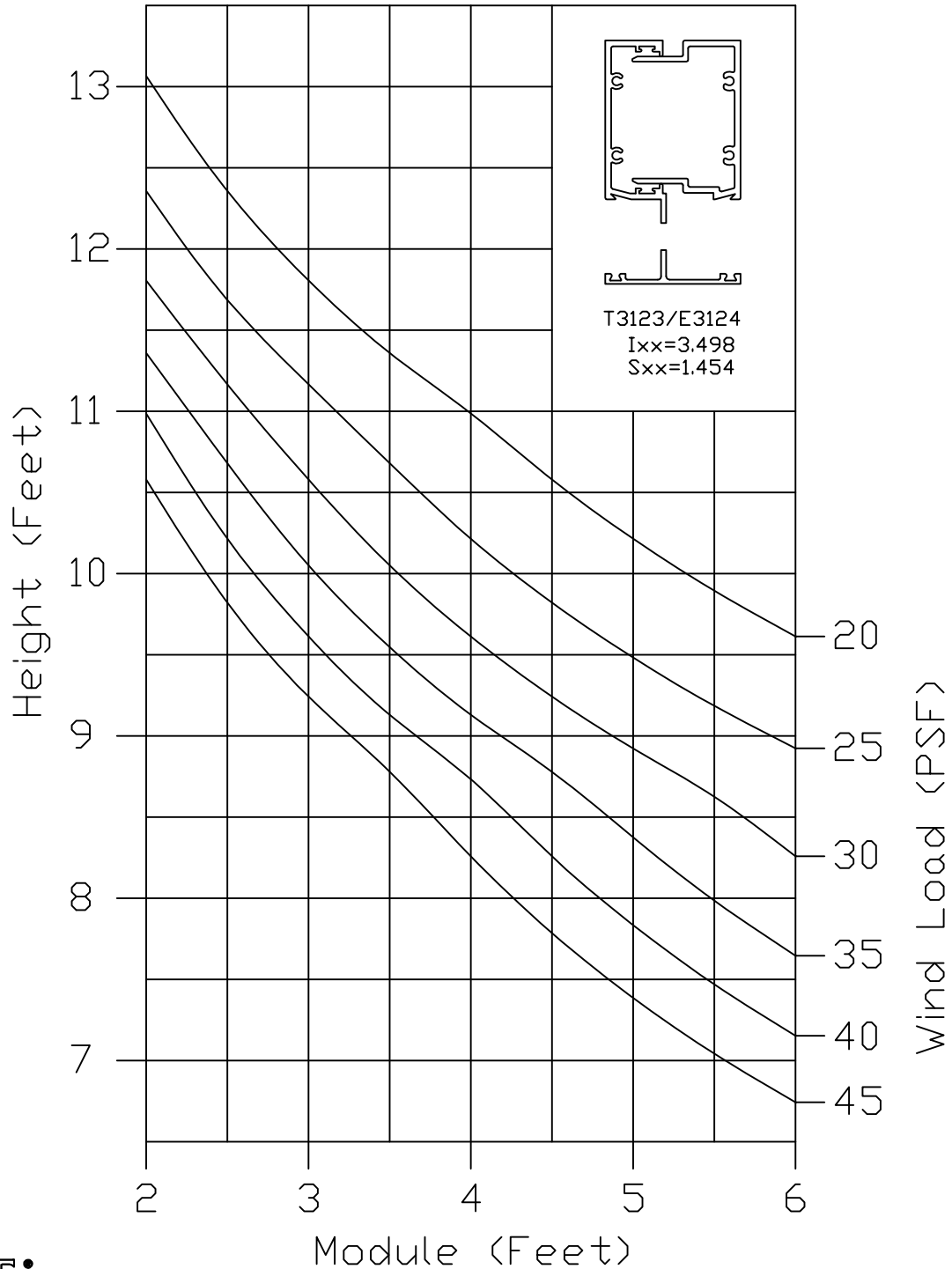


# T1900 Series I

## T3123 E3124 Wind Load Chart

CAD DETAIL FILE NO.  
T3123 E3124 WLC

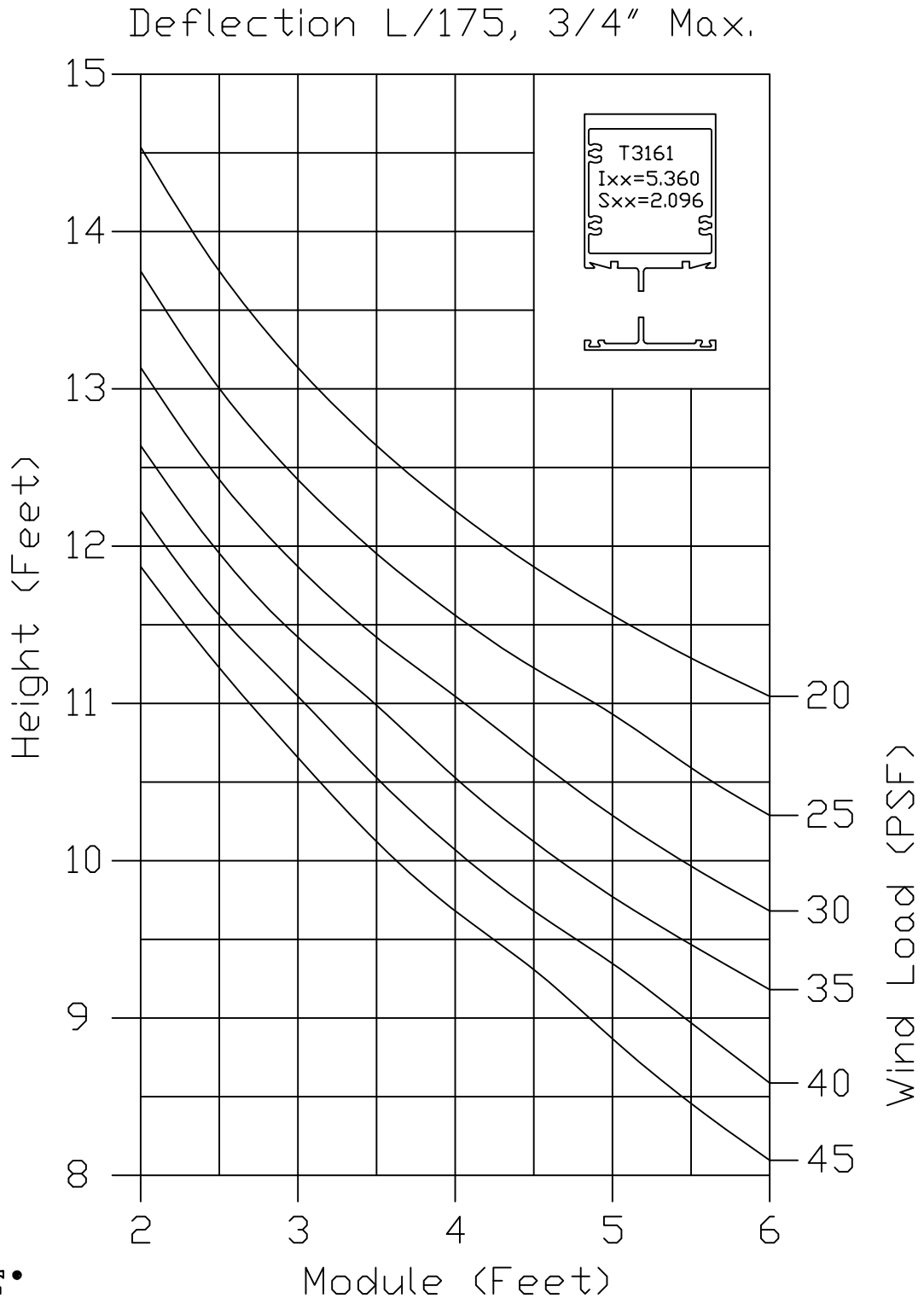
Deflection L/175, 3/4" Max.



# T1900 Series I

## T3161 Wind Load Chart

CAD DETAIL FILE NO.  
T3161 WLC

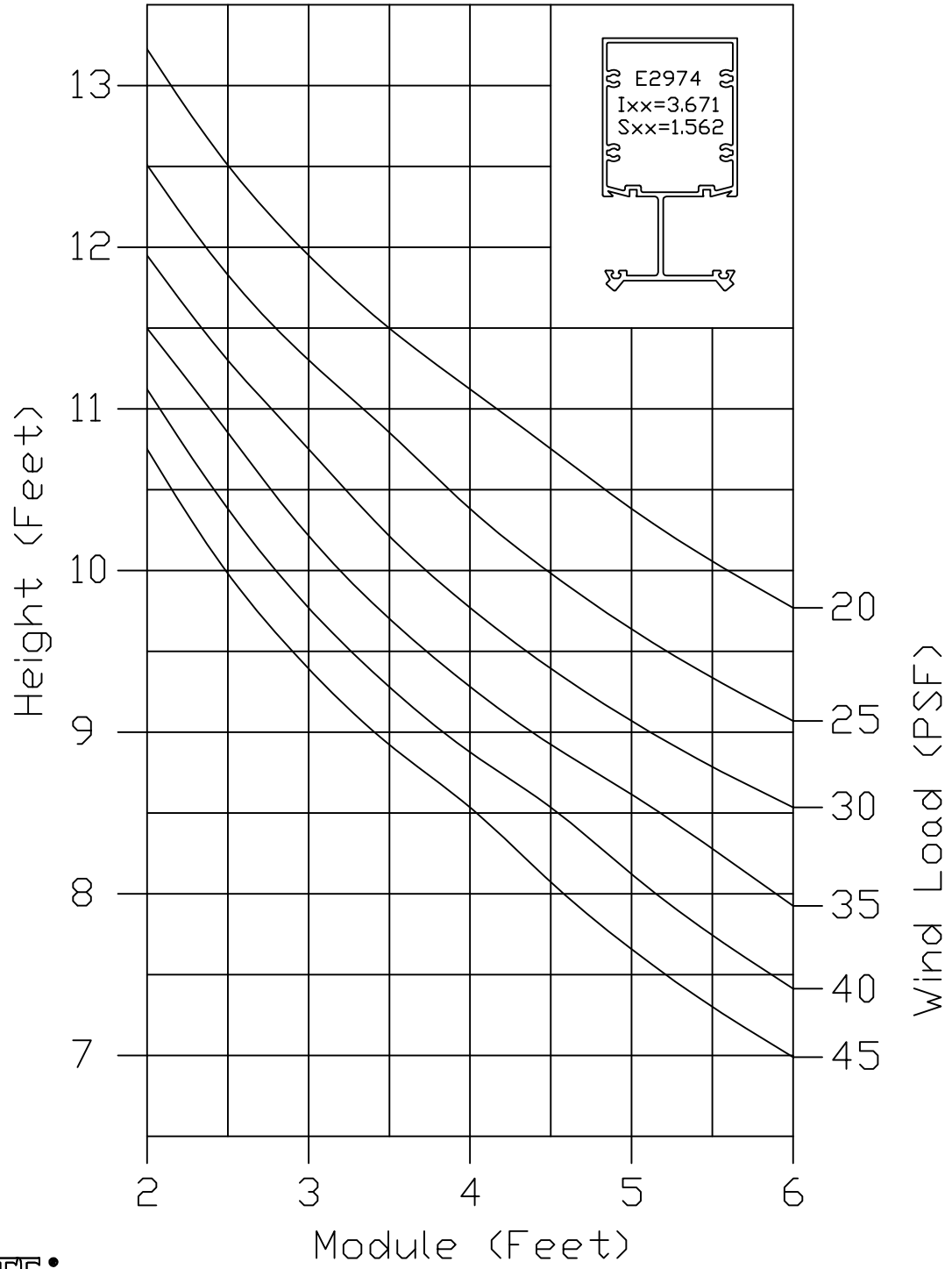


# E1900 Series III

## E2974 Wind Load Chart

CAD DETAIL FILE NO.  
E2974 WLC

Deflection L/175, 3/4" Max.

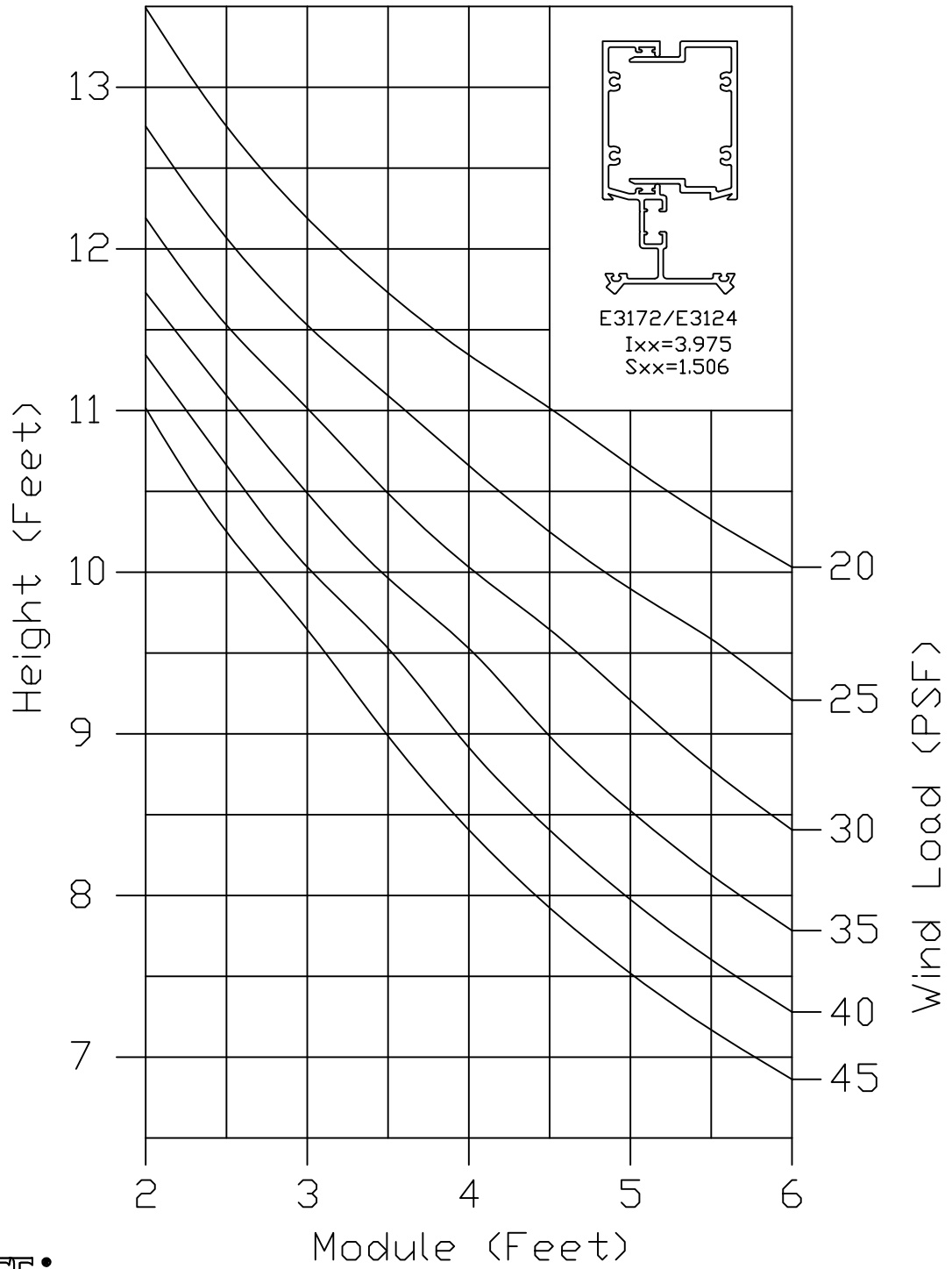


# E1900 Series III

## E3172 and E3172 Wind Load Chart

CAD DETAIL FILE NO.  
E3172 E3124 WLC

Deflection L/175, 3/4" Max.



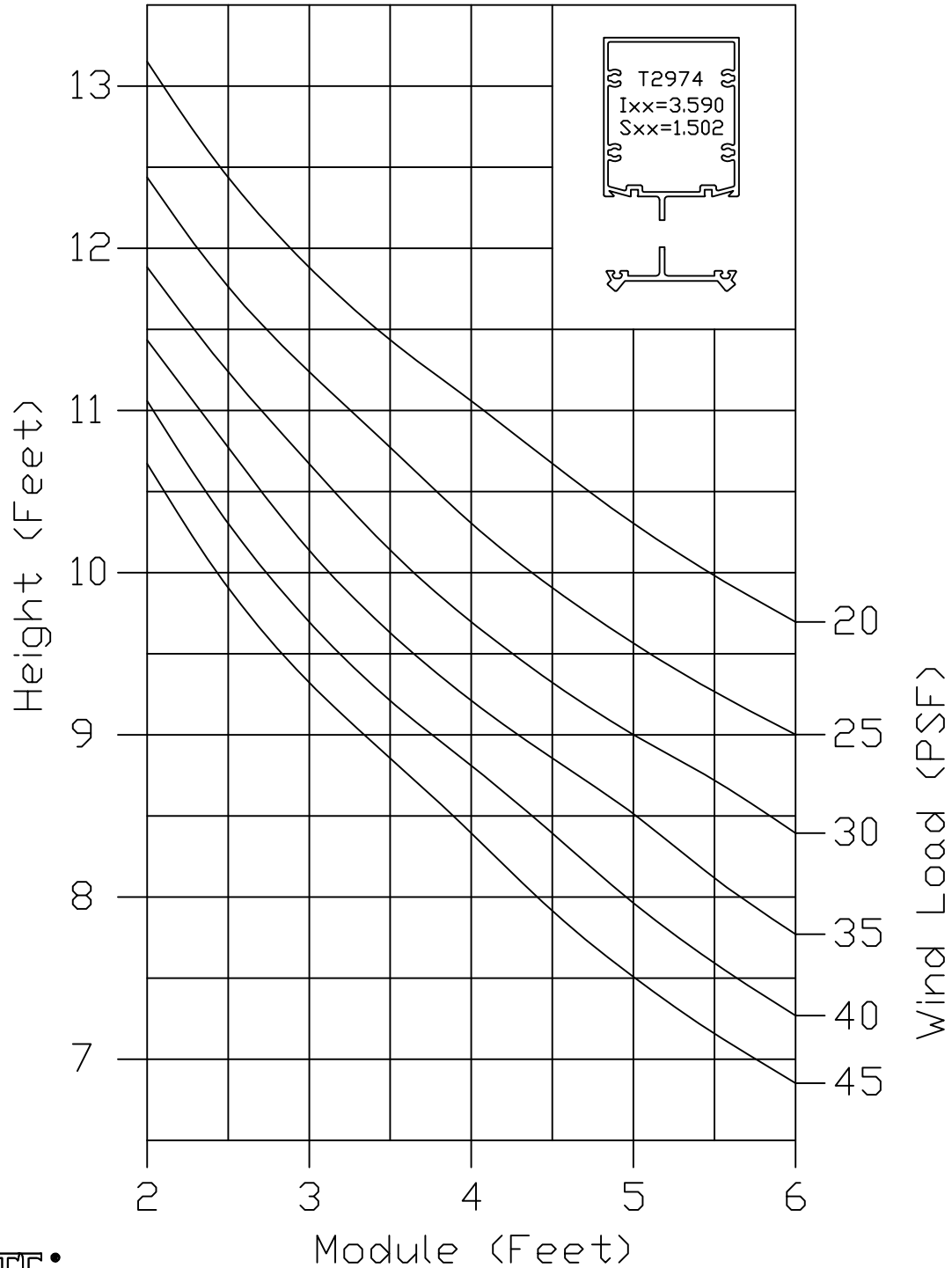
\*SEALANT, ROD, & ANCHORS NOT BY TUBELITE

# T1900 Series III

## T2974 Wind Load Chart

CAD DETAIL FILE NO.  
T2974 WLC

Deflection L/175, 3/4" Max.



# T1900 Series III

## T3172 E3124 Wind Load Chart

CAD DETAIL FILE NO.  
T3172 E3124 WLC

Deflection L/175, 3/4" Max.

