

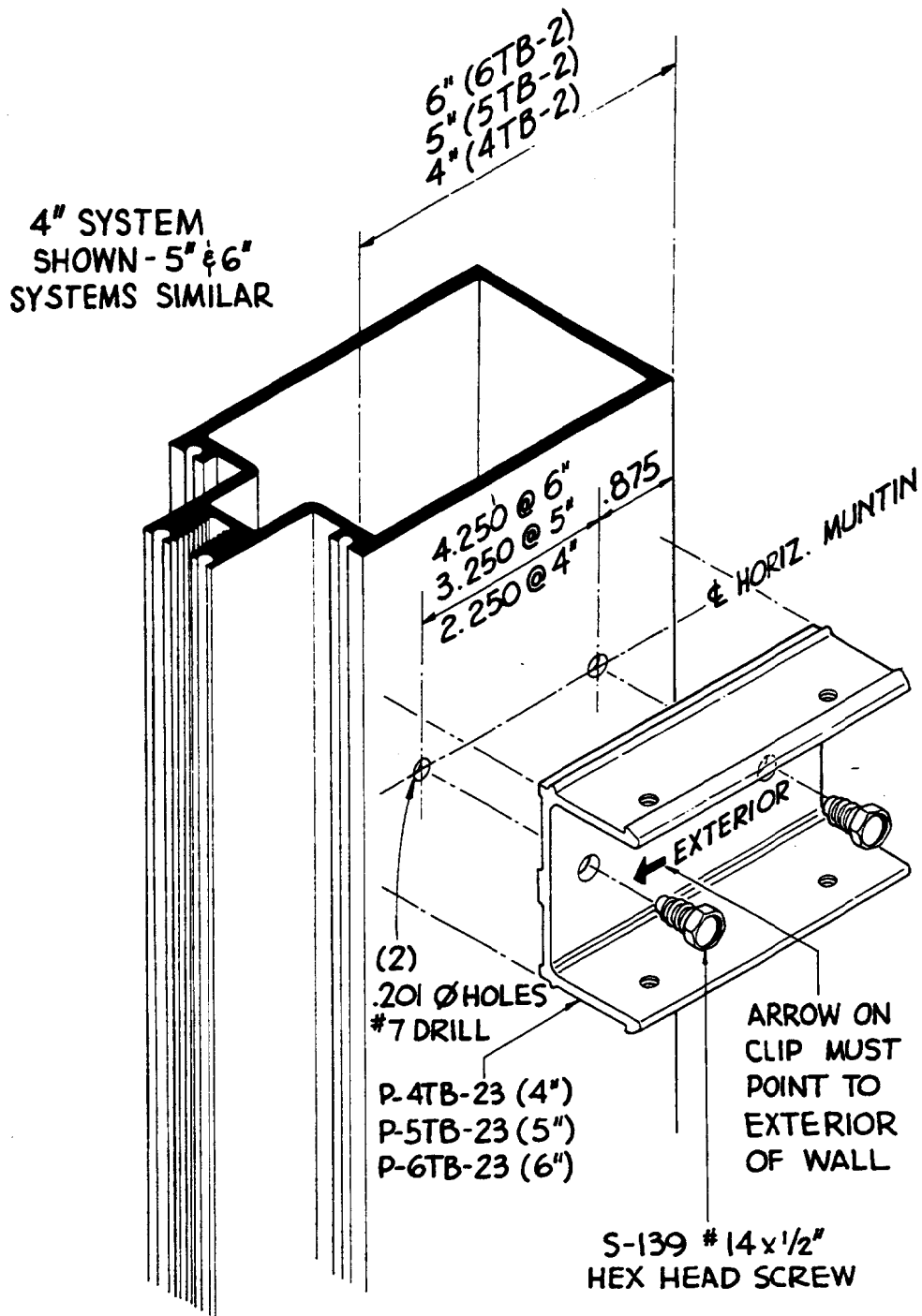
400 THERMAL BARRIER

(FRAMING SYSTEM FOR 1" INSULATED GLASS)

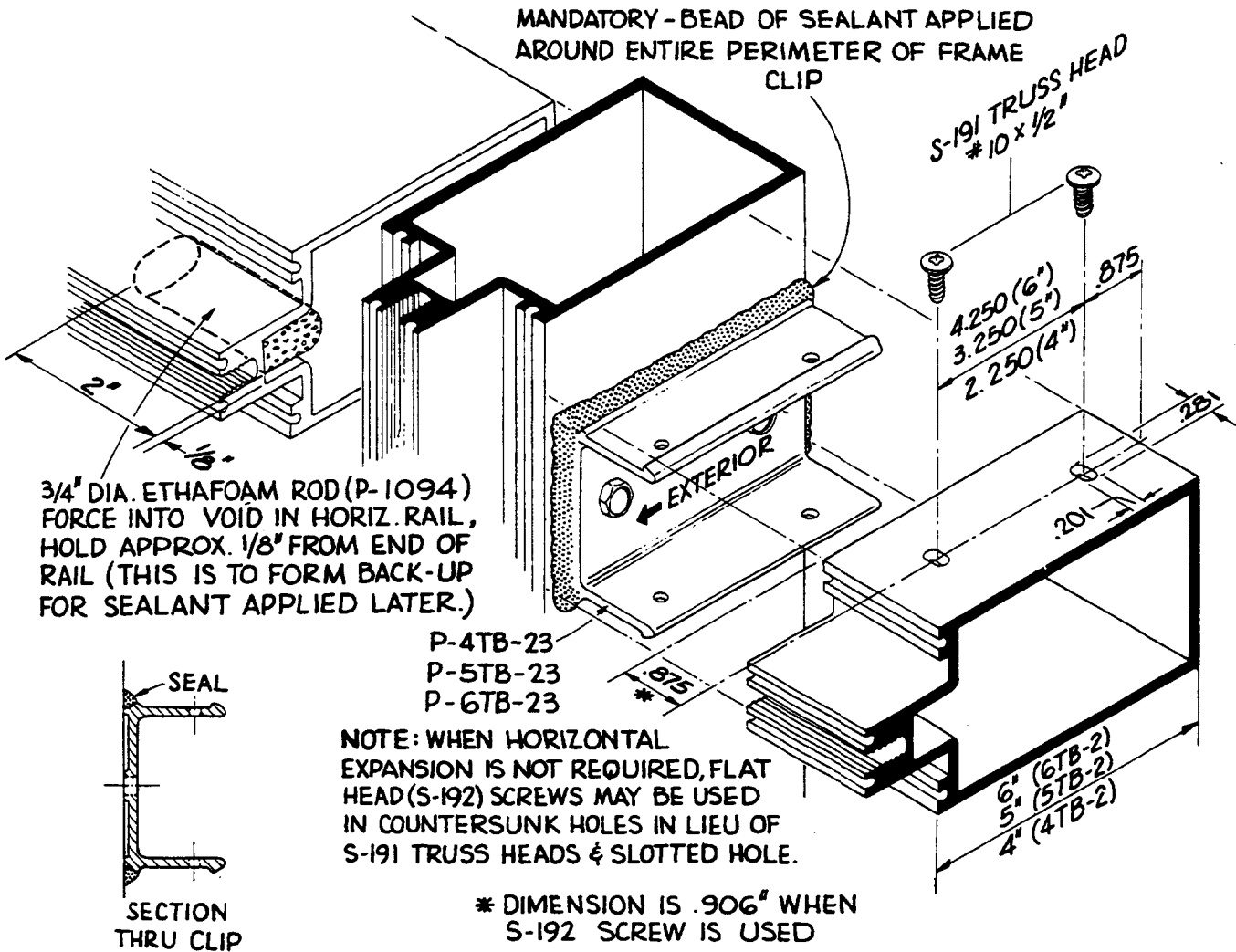
General Notes

1. These drawings and notes cover typical conditions for this product. Due to individual job requirements it is necessary to refer to Tubelite's final distribution drawings for supplemental information not covered by these instructions. Any conflict or discrepancies must be clarified through Tubelite's Engineering Department prior to execution.
2. Specific types of sealants are called for in these instructions, due to compatibility with different materials. Sealants other than those specifically called for are the responsibility and option of the erector or glazer and must be approved by the sealant manufacturer in regard to quality and compatibility for its intended use. All sealants must be used in strict accordance with manufacturer's instructions, applied only by trained personnel to surfaces that have been properly prepared.
3. Drainage gutters and weep holes must be kept clean at all times. Tubelite cannot accept responsibility for improper drainage as a result of clogged gutters and weep holes.
4. All framing shall be erected plumb and true in proper alignment and relation to established lines and grades.
5. Any discrepancies found between Tubelite's final distribution drawings, these drawings and notes, and actual field conditions must be brought to the attention of Tubelite's Engineering Department for recommendation prior to execution.

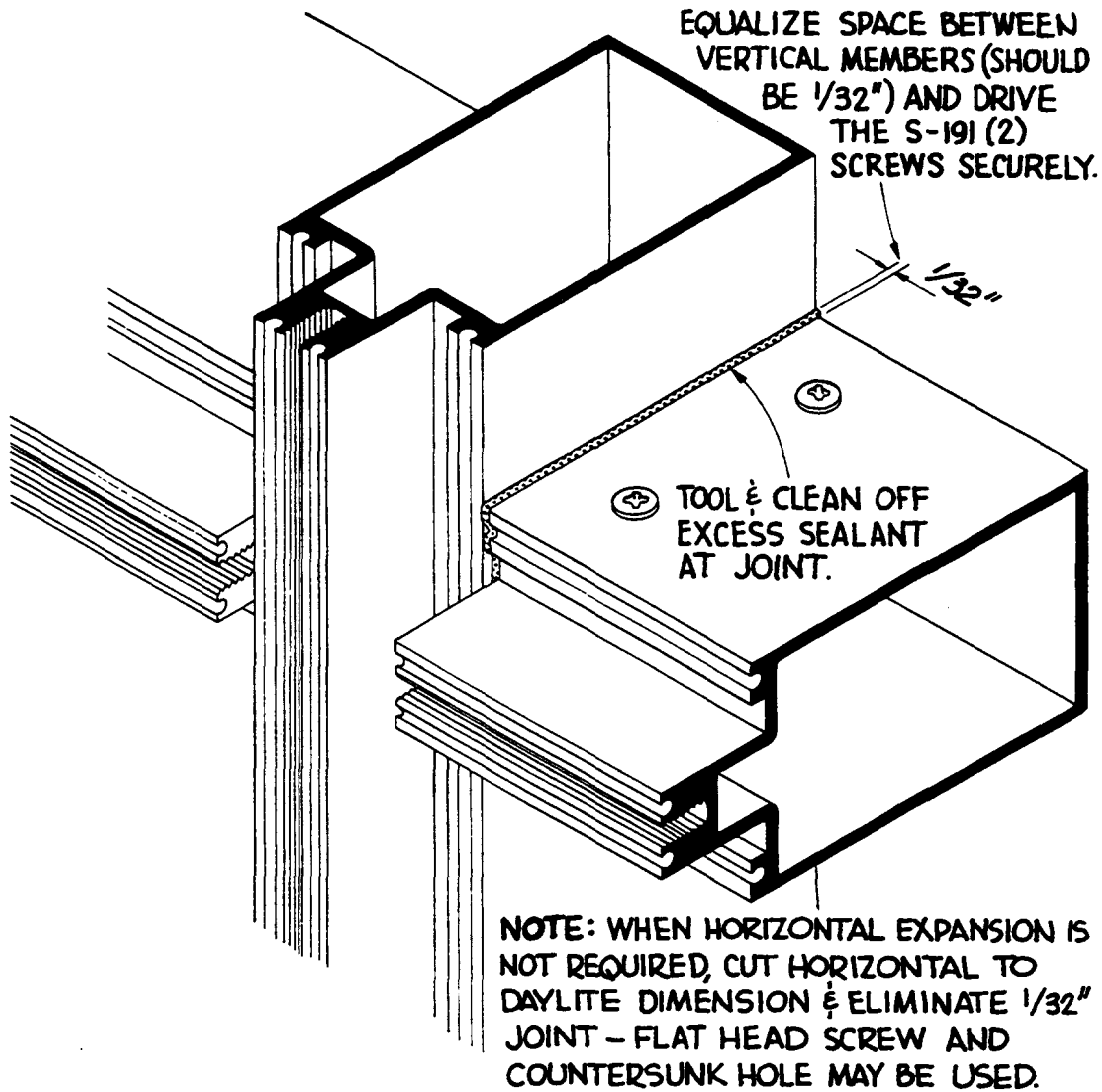
1



2

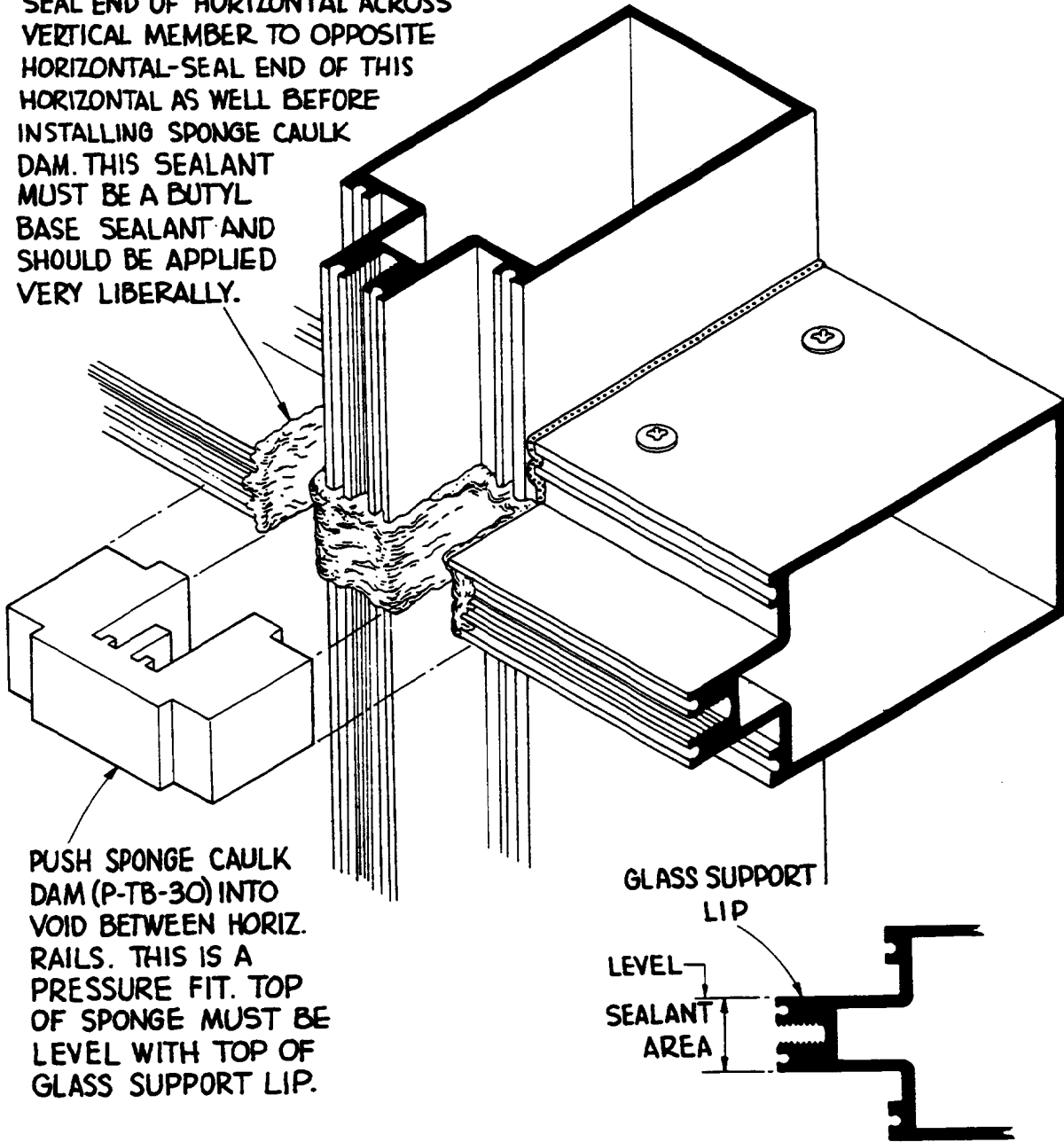


3

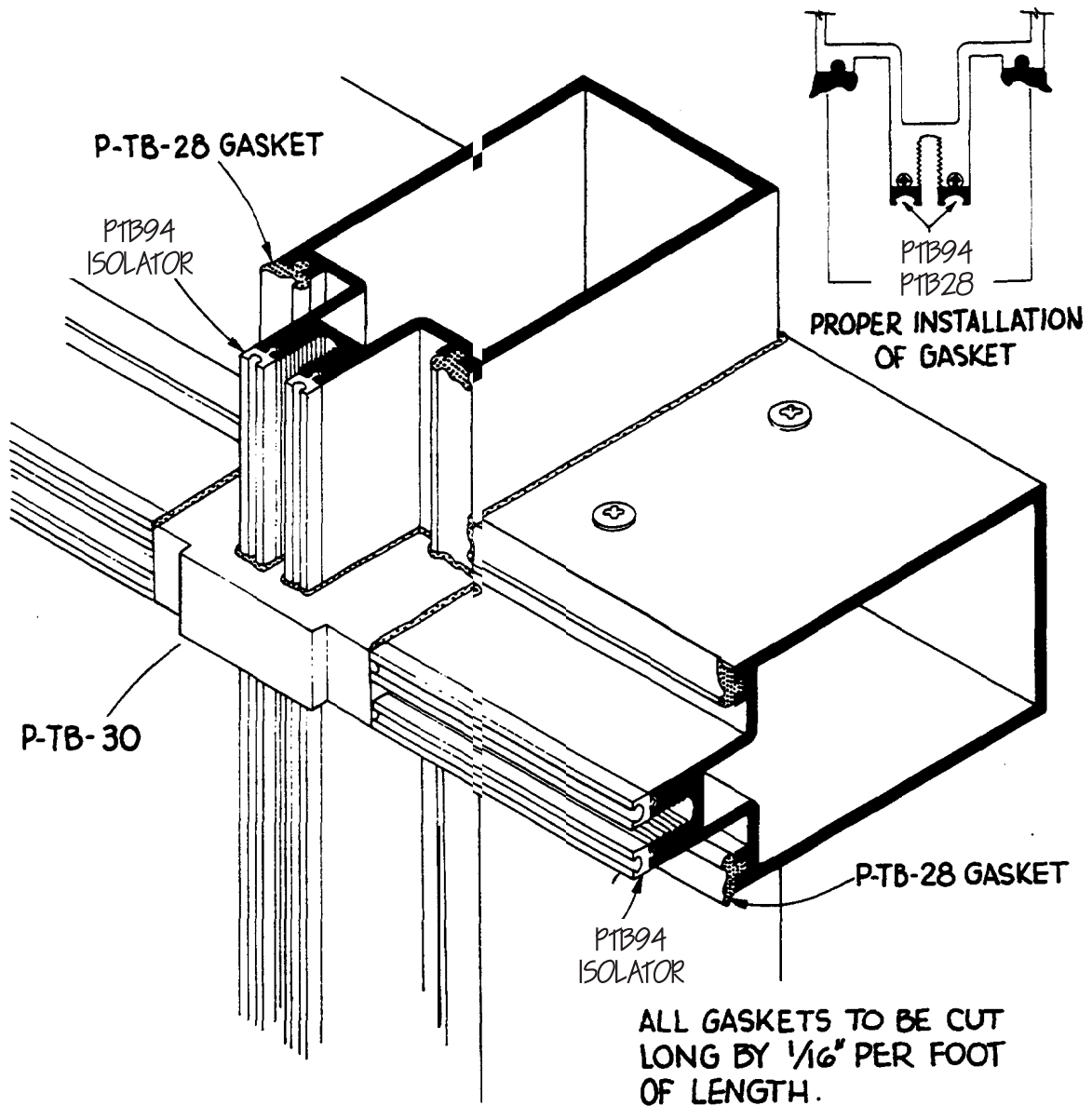


4

SEAL END OF HORIZONTAL ACROSS
VERTICAL MEMBER TO OPPOSITE
HORIZONTAL-SEAL END OF THIS
HORIZONTAL AS WELL BEFORE
INSTALLING SPONGE CAULK
DAM. THIS SEALANT
MUST BE A BUTYL
BASE SEALANT AND
SHOULD BE APPLIED
VERY LIBERALLY.



5

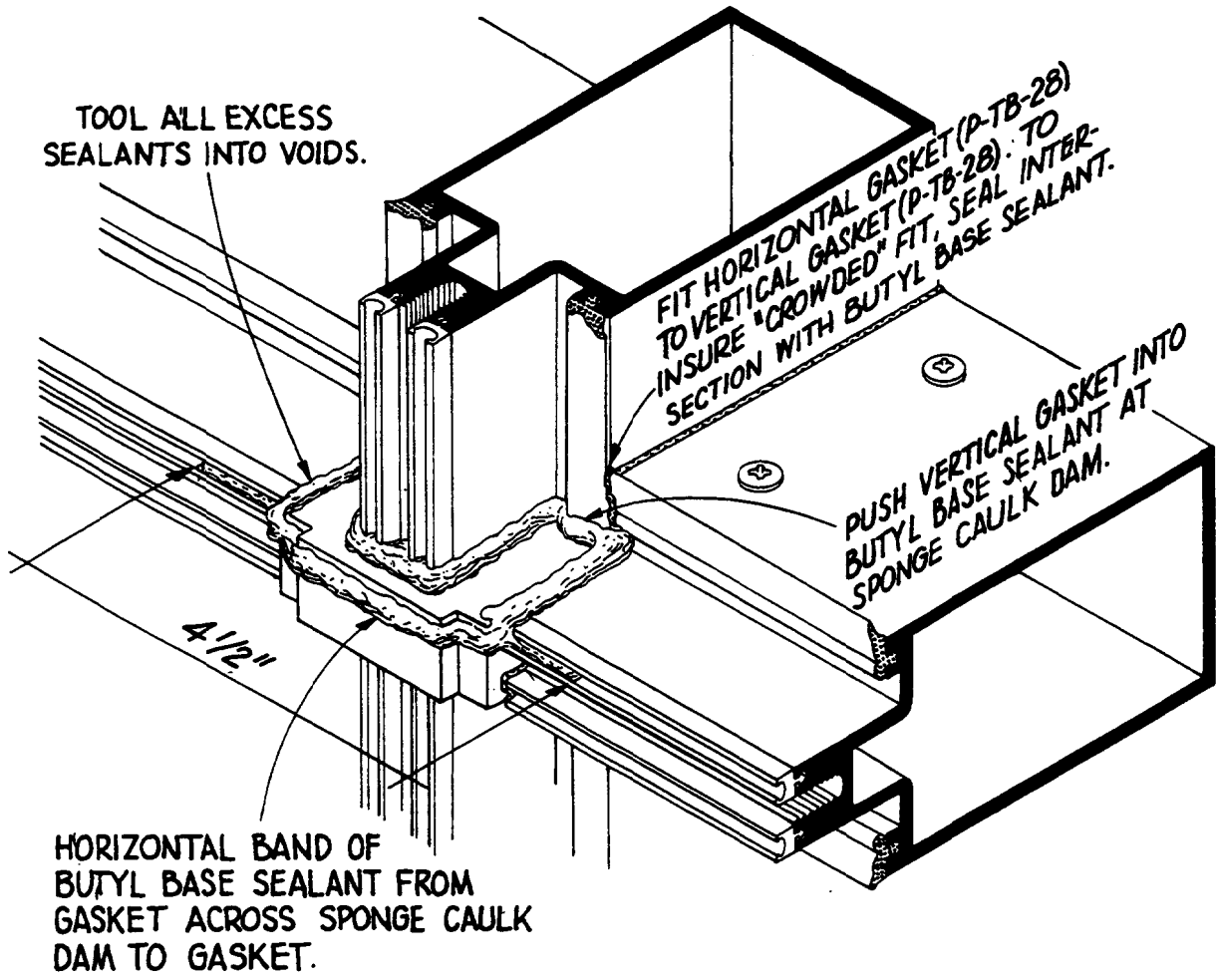


400 Series Curtainwall Installation Instructions

1" Insulated Glass (Exposed Fasteners)

P-1887 (1)

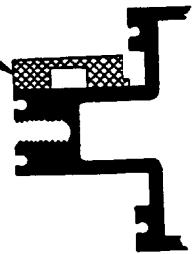
6



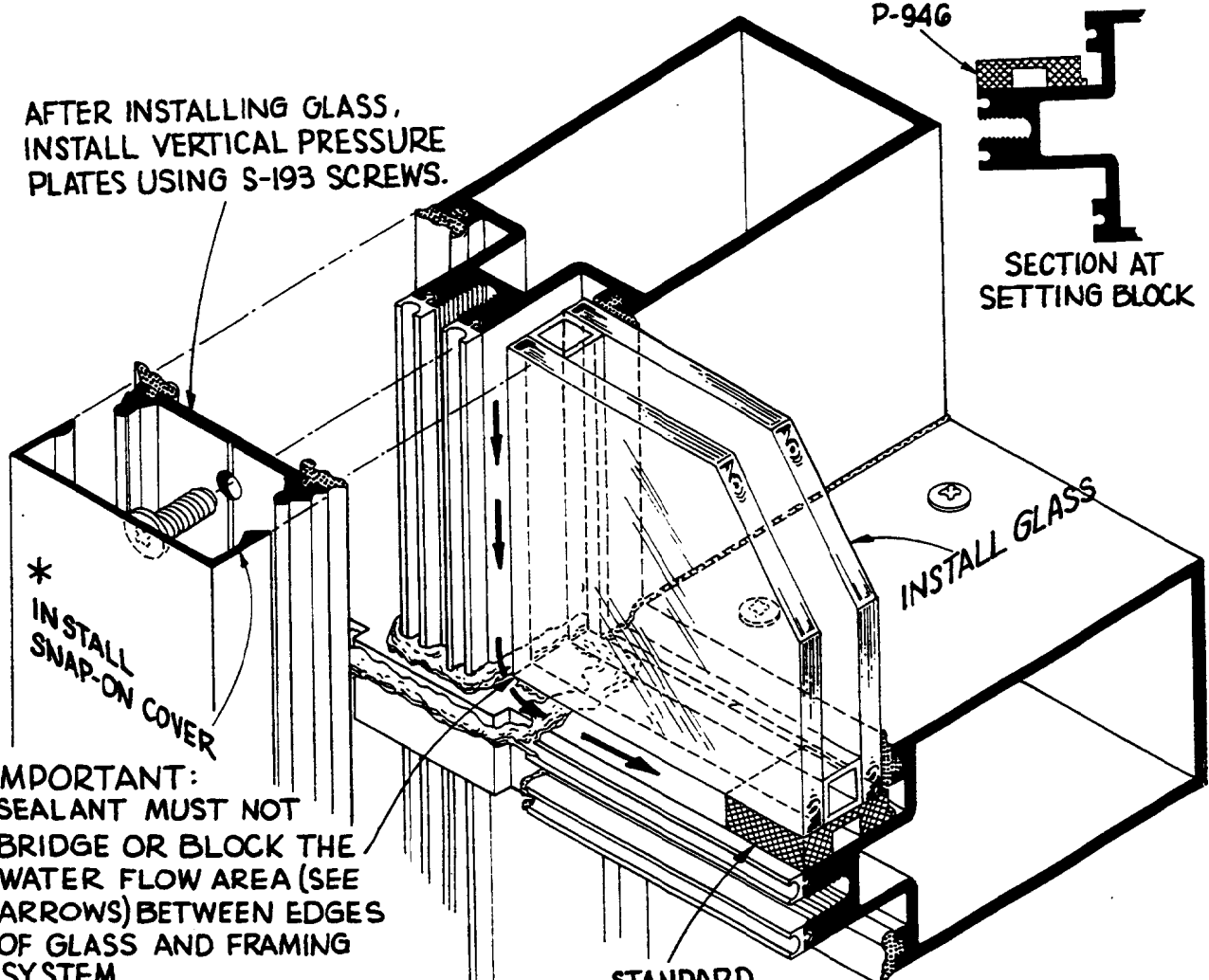
7

AFTER INSTALLING GLASS,
INSTALL VERTICAL PRESSURE
PLATES USING S-193 SCREWS.

P-946



SECTION AT
SETTING BLOCK



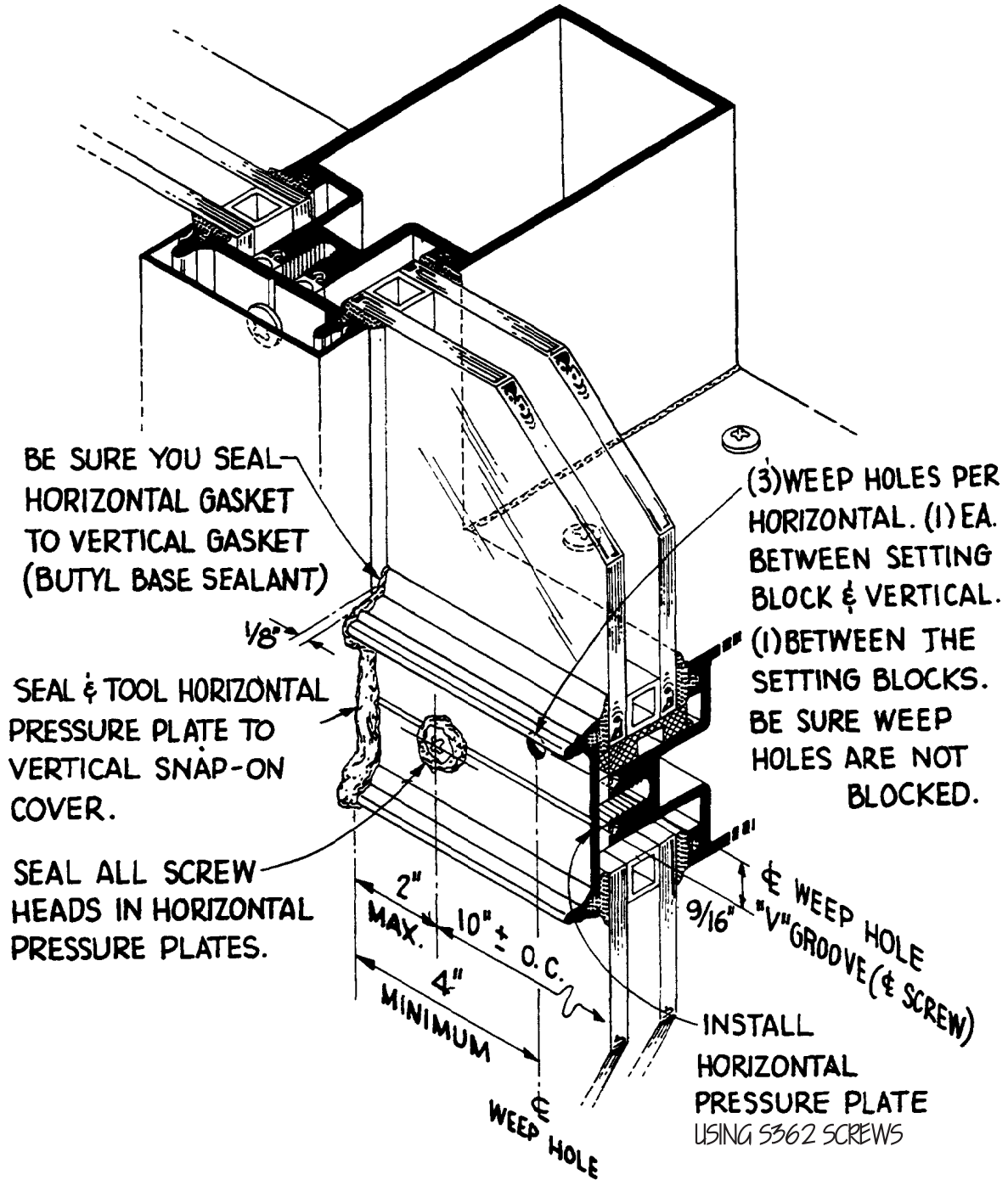
*
INSTALL
SNAP-ON COVER

INSTALL GLASS

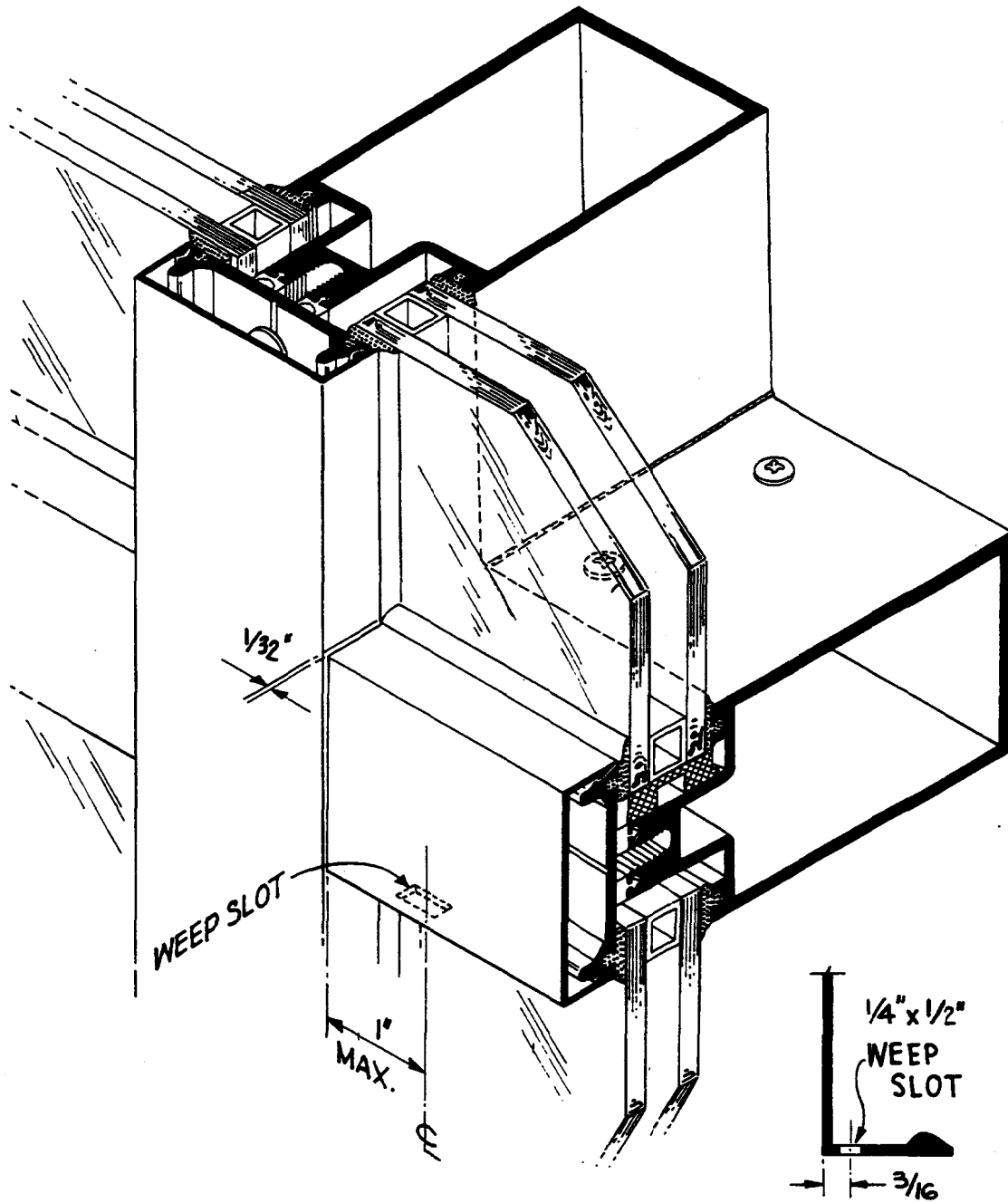
IMPORTANT:
SEALANT MUST NOT
BRIDGE OR BLOCK THE
WATER FLOW AREA (SEE
ARROWS) BETWEEN EDGES
OF GLASS AND FRAMING
SYSTEM.

* VERTICAL SNAP-ON COVER
MUST BE INSTALLED PRIOR TO
INSTALLING HORIZONTAL PRESSURE
PLATE. (SEE DETAIL NO. 8)

STANDARD
SETTING BLOCK P-946 IS 4" LONG AND IS
NORMALLY INSTALLED AT 1/4 POINTS.



9



400 Series Curtainwall Installation Instructions
1" Insulated Glass (Exposed Fasteners) P-1887 (1)

TUBELITE®
STOREFRONTS & ENTRANCES

TUBELITE®

STOREFRONT, CURTAINWALL & ENTRANCES

DEPENDABLE

Tubelite Inc.

4878 Mackinaw Trail
Reed City, Michigan 49677
Phone 800.866.2227
Fax 877.299.2414
www.tubeliteinc.com

