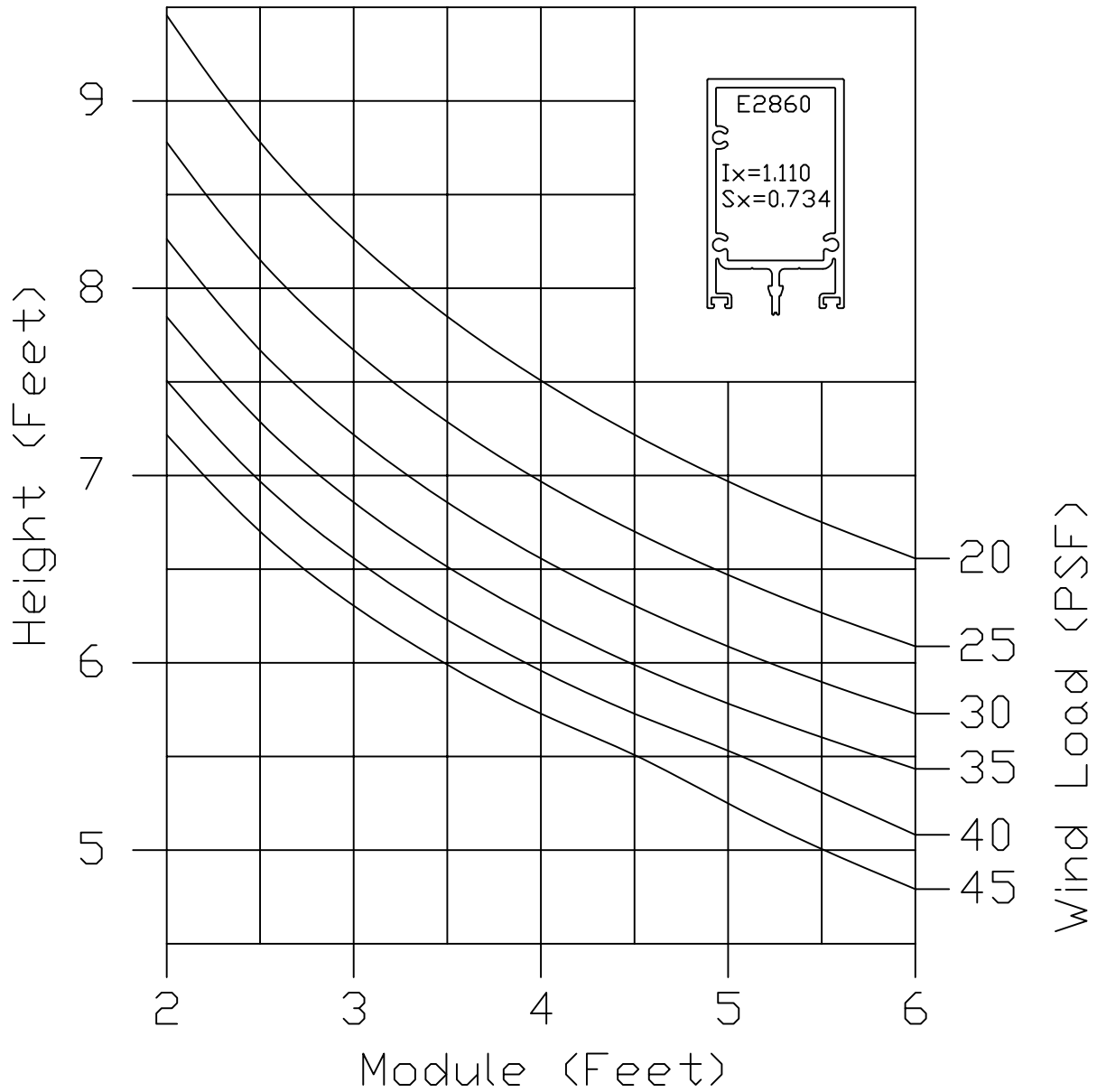


VersaTherm

E2860 Wind Load Chart

CAD DETAIL FILE NO.
E2860 WLC

Deflection $L/175$, $3/4"$ Max.

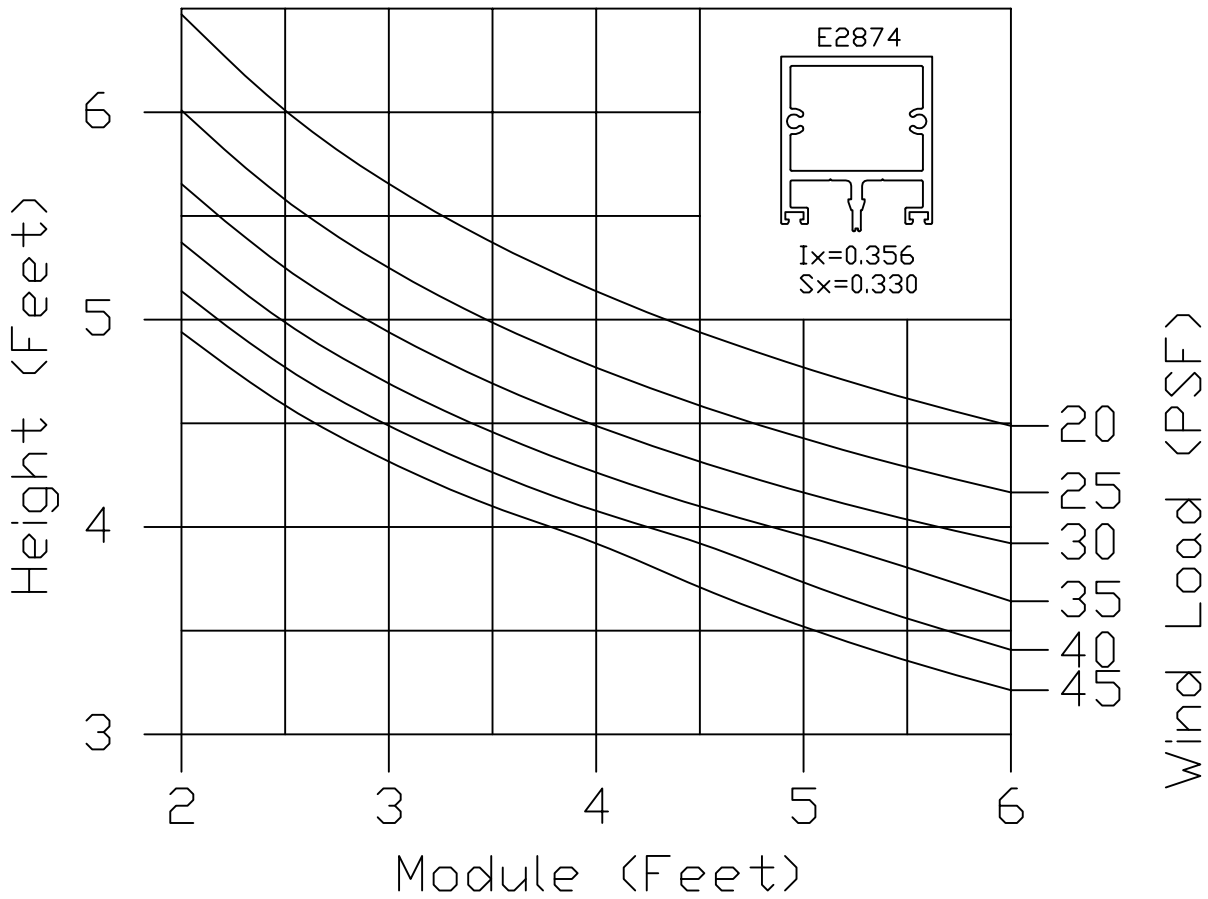


VersaTherm

E2874 Wind Load Chart

CAD DETAIL FILE NO.
E2874 WLC

Deflection $L/175$, $3/4"$ Max.

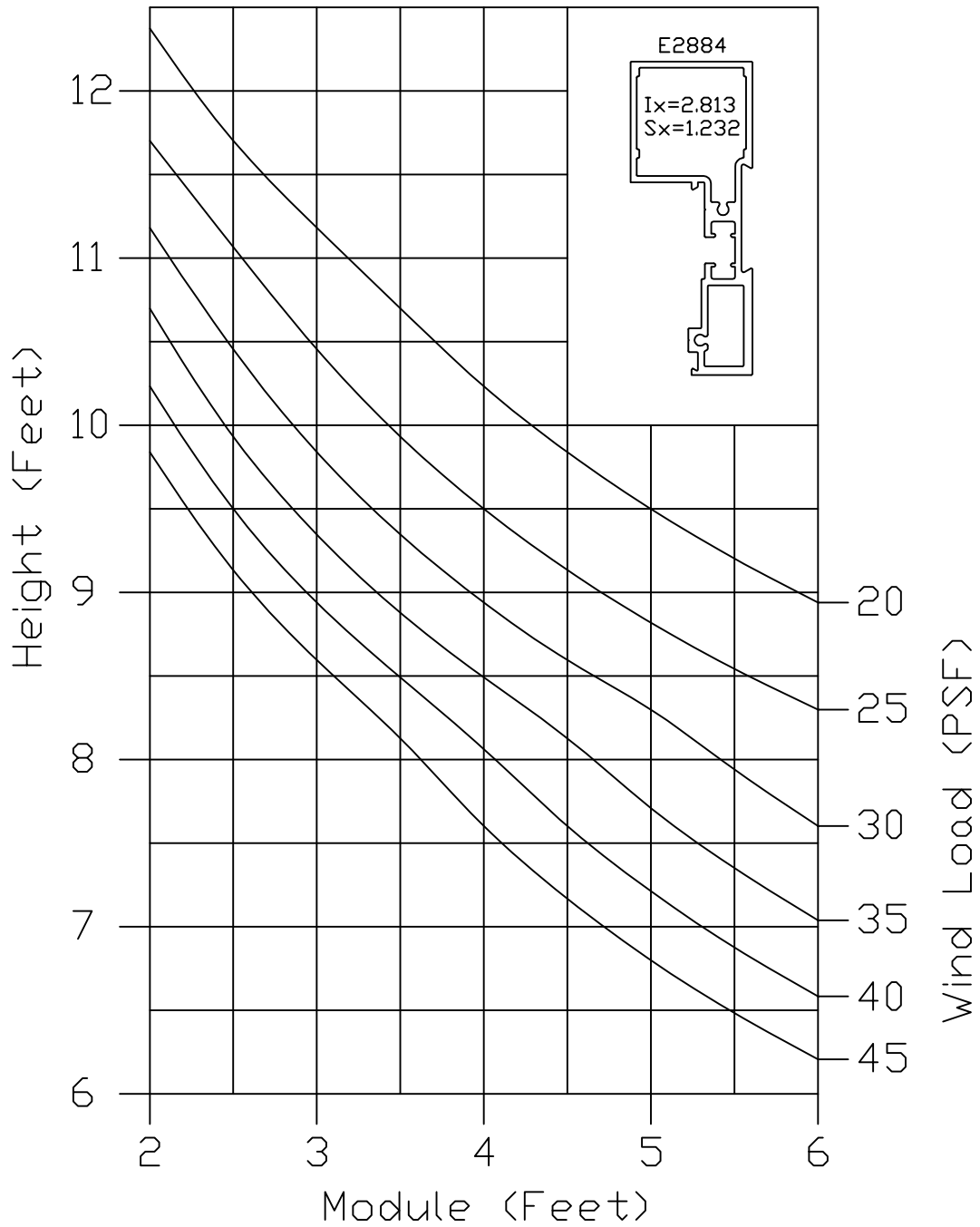


VersaTherm

E2884 Wind Load Chart

CAD DETAIL FILE NO.
E2884 WLC

Deflection L/175, 3/4" Max.

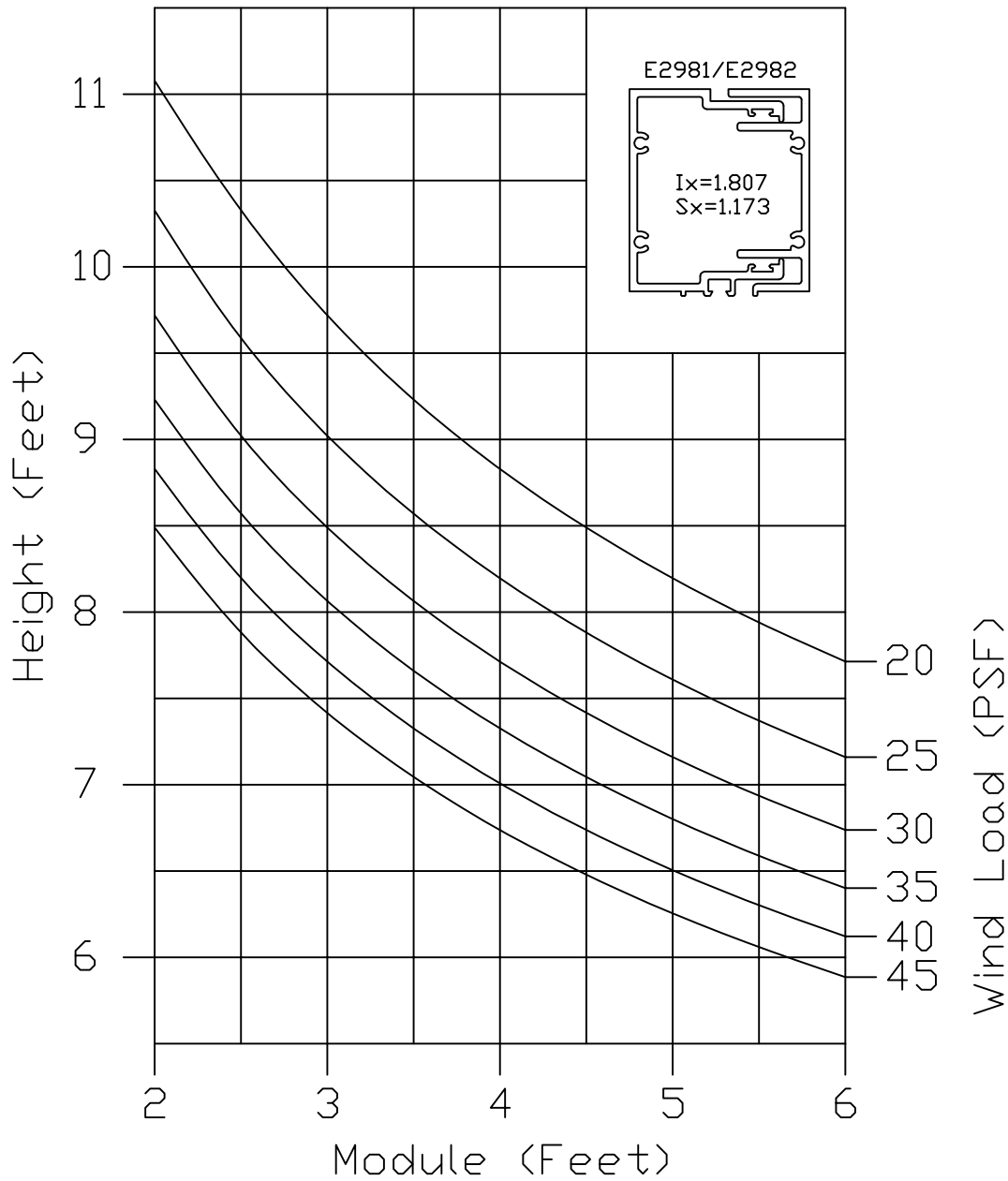


VersaTherm

E2981 and E2982 Wind Load Chart

CAD DETAIL FILE NO.
E2981 E2982 WLC

Deflection $L/175$, $3/4"$ Max.

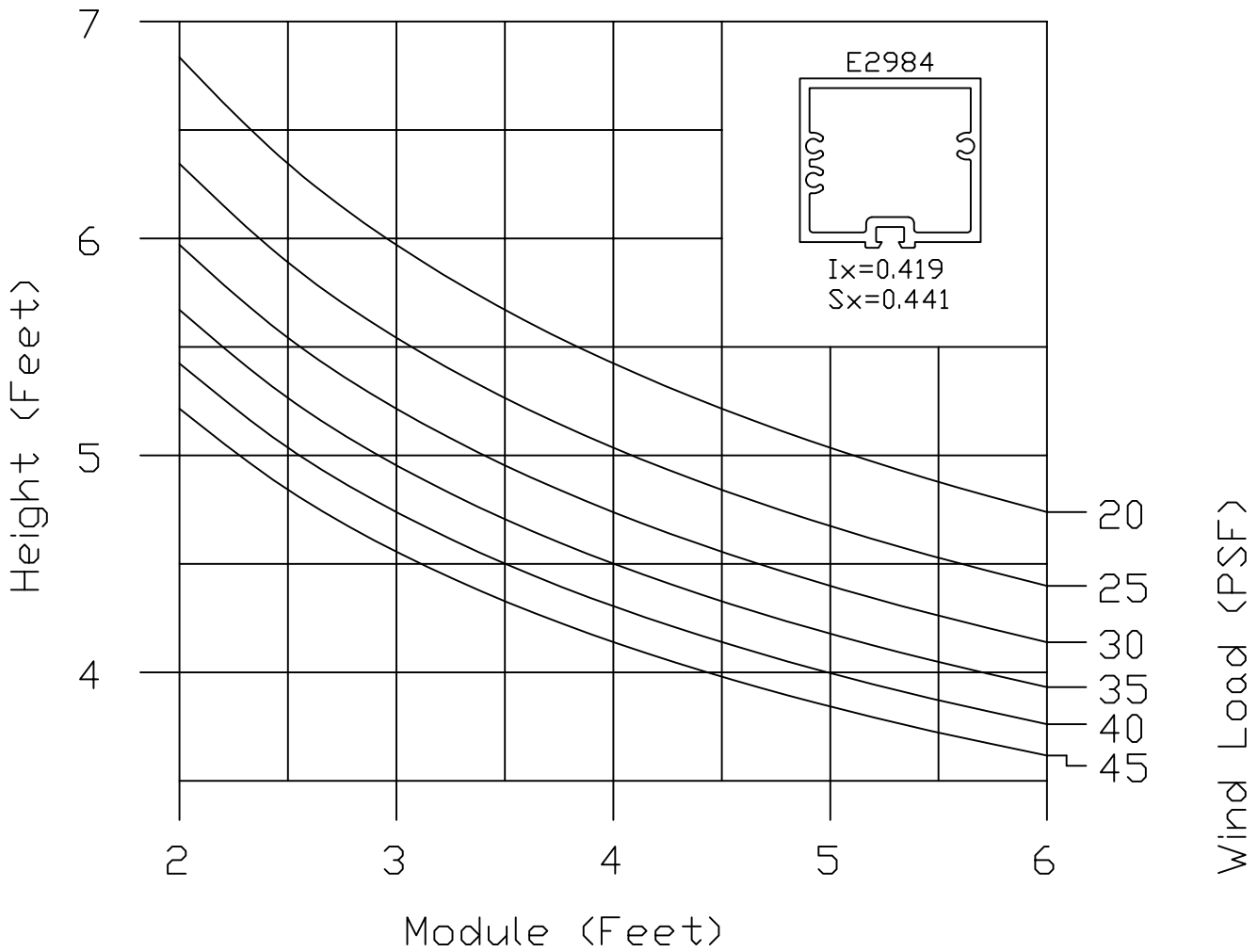


VersaTherm

Wind Load Chart

CAD DETAIL FILE NO.
WLC

Deflection $L/175$, $3/4"$ Max.

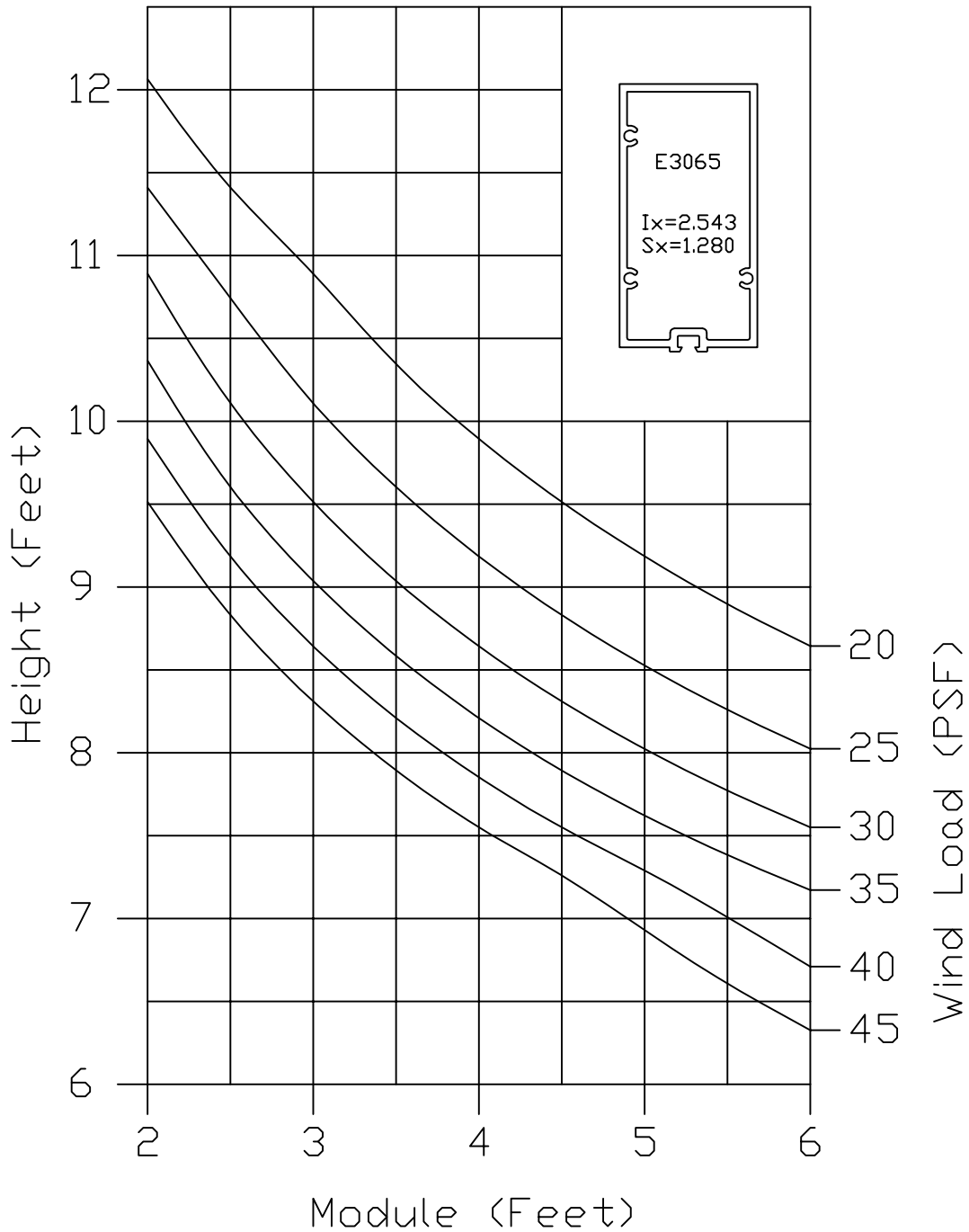


VersaTherm

E3065 Wind Load Chart

CAD DETAIL FILE NO.
E3065 WLC

Deflection $L/175$, $3/4"$ Max.

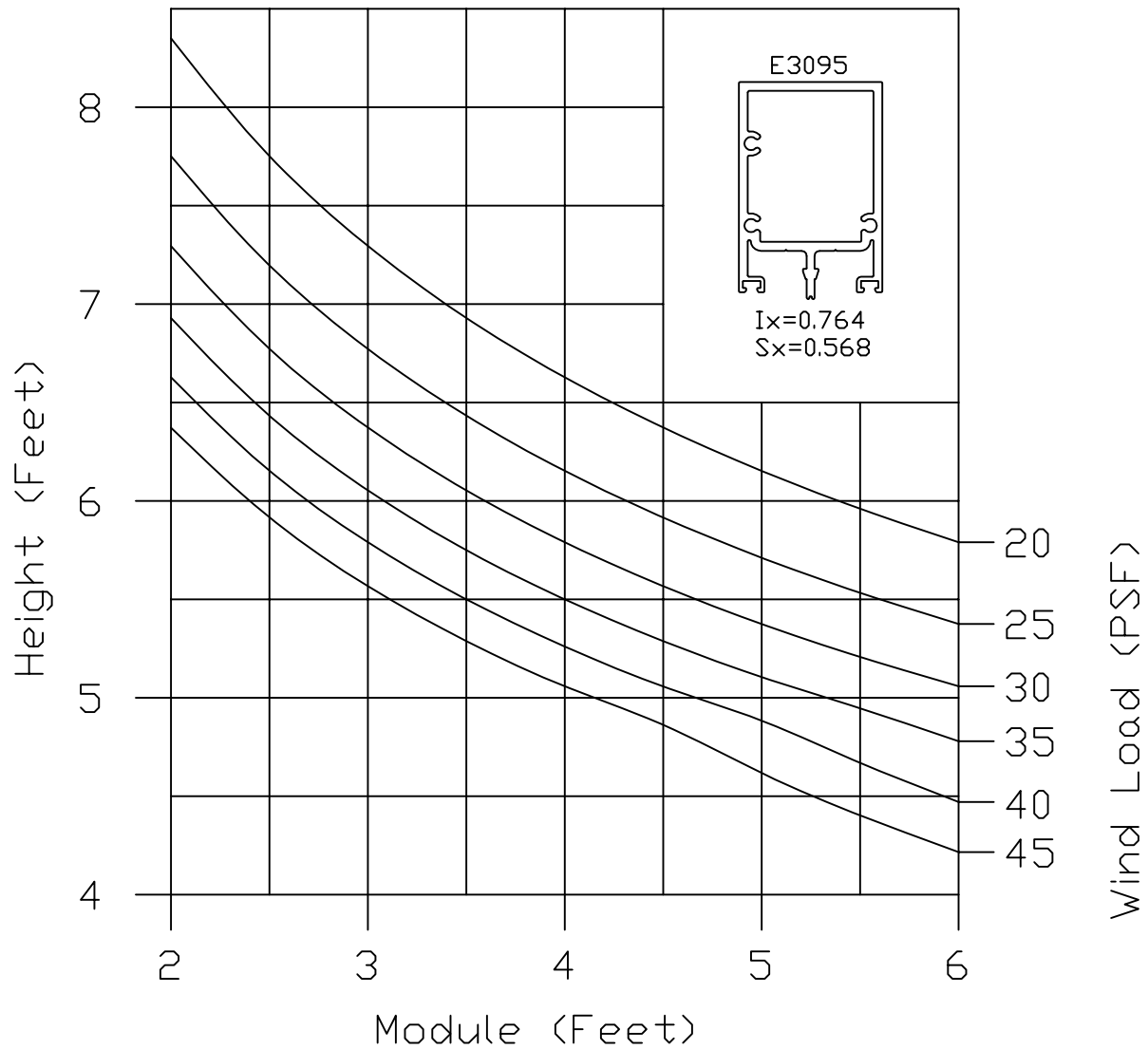


VersaTherm

Wind Load Chart

CAD DETAIL FILE NO.
WLC

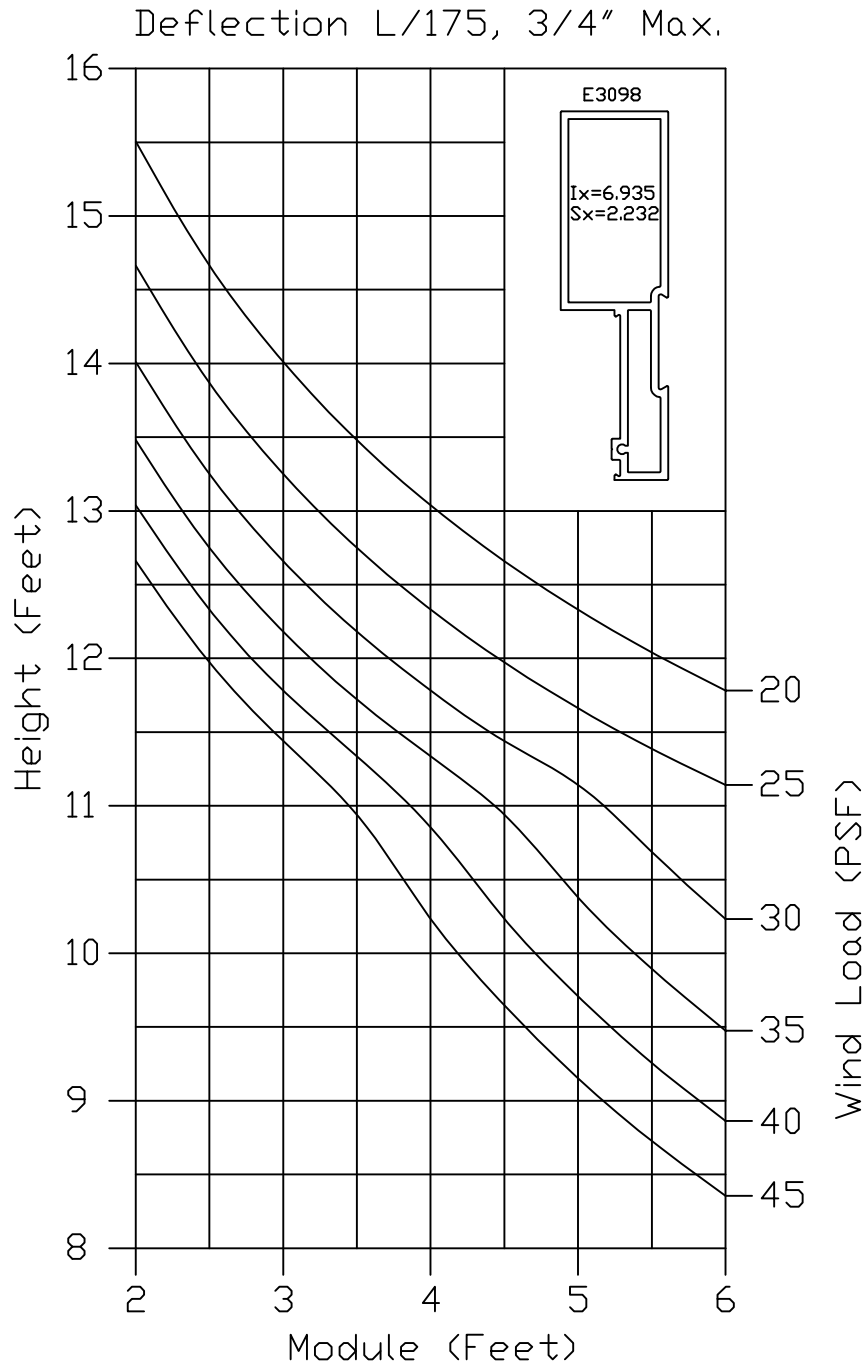
Deflection $L/175$, $3/4"$ Max.



VersaTherm

E3098 Wind Load Chart

CAD DETAIL FILE NO.
E3098 WLC

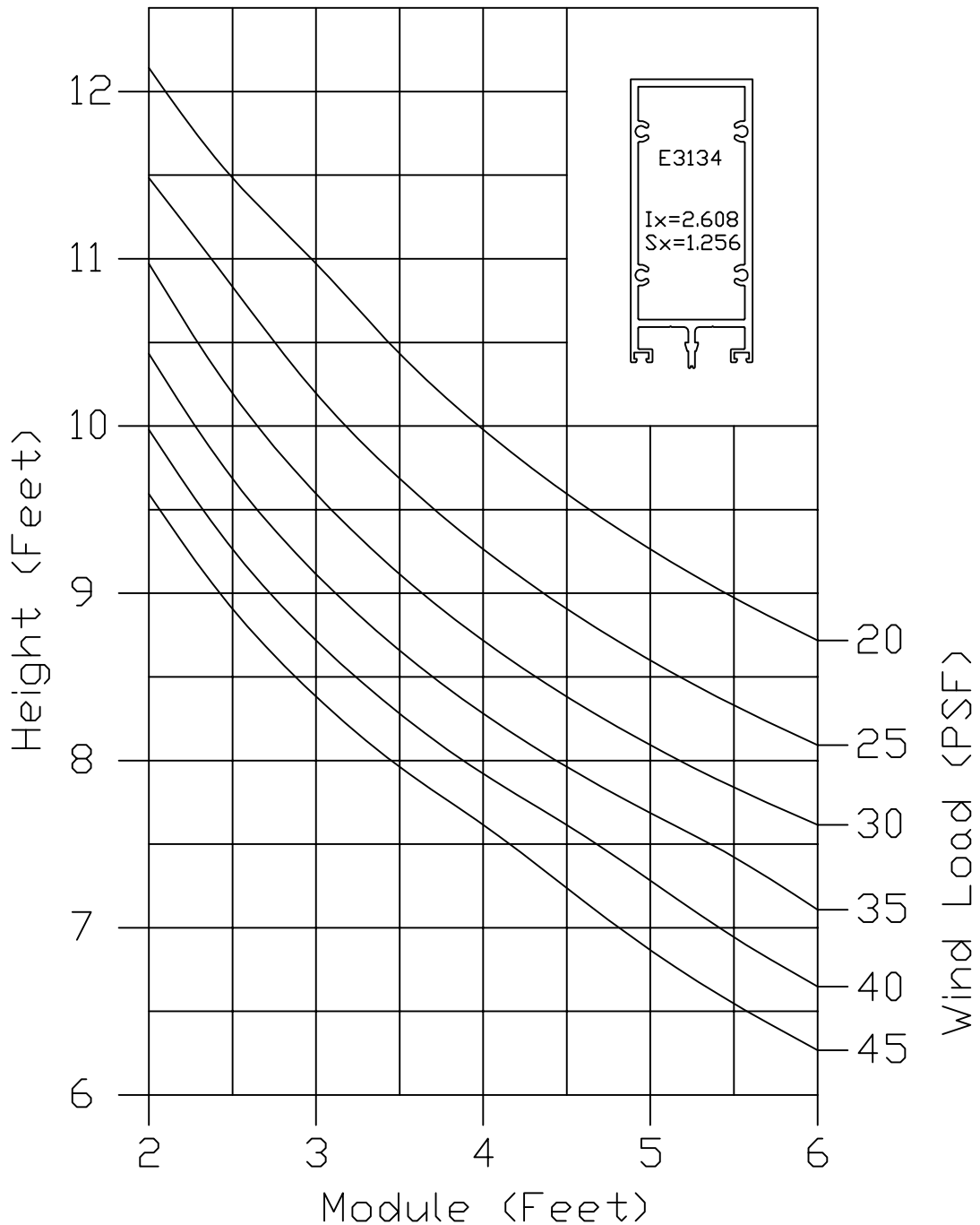


VersaTherm

E3134 Wind Load Chart

CAD DETAIL FILE NO.
E3134 WLC

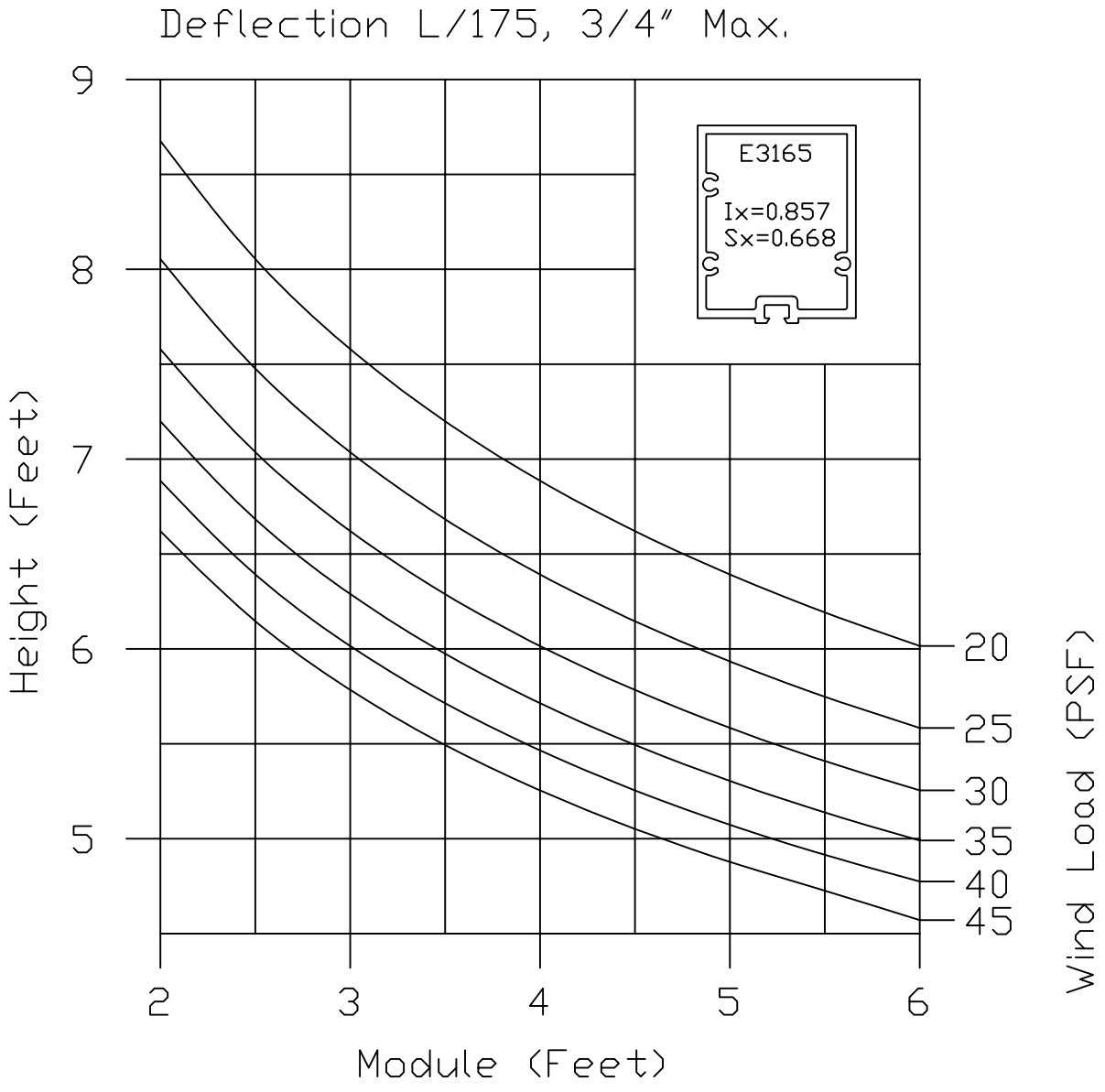
Deflection $L/175$, $3/4"$ Max.



VersaTherm

E3165 Wind Load Chart

CAD DETAIL FILE NO.
E3165 WLC



VersaTherm

T2884 Wind Load Chart

CAD DETAIL FILE NO.
T2884 WLC

Deflection $L/175$, $3/4"$ Max.

