

200 Series Curtainwall



Concealed Fastener Installation Instructions



WAUSAU

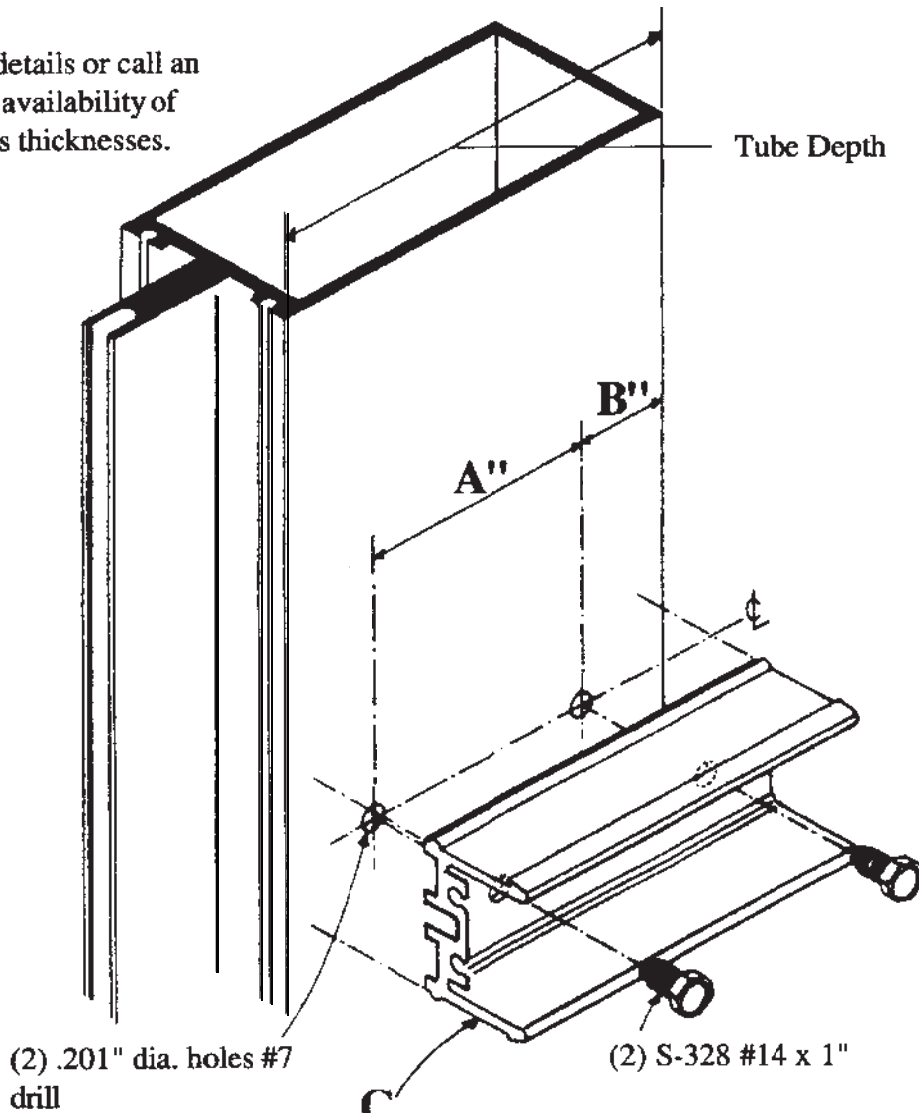
WINDOW AND WALL

General Notes:

1. These drawings and notes cover typical conditions for this project. Due to individual job requirements it is necessary to refer to the final distribution drawings for supplemental information not covered by these instructions. Any conflicts or discrepancies must be clarified through the Engineering Department prior to execution.
2. Materials stored at the job site must be stored in a safe place, removed from possible damage by other trades. Stack with adequate separation so materials will not rub together, and store off the ground. Cardboard or paper wrapped materials must be kept dry. Check arriving materials for quantity and keep record of where various materials are stored.
3. All field welding must be adequately shielded to avoid any weld splatter on either aluminum or glass. Results will be unsightly and/or structurally unsound. Advise general contractor and other trades accordingly.
4. Coordinate protection of installed work with general contractor and/or other trades.
5. Coordinate sequence of other trades which affect strip window installation with general contractor (i.e. fire proofing, back up walls, partitions, ceilings, mechanical ducts, convectors, etc.)
6. General contractor should furnish and guarantee bench marks, offset lines and opening dimensions. These items should be checked for accuracy before proceeding with erection. Make certain construction which will receive your material is according to contract documents. If not notify the general contractor in writing before proceeding with your work, since this constitutes acceptance of work by other trades.
7. Insulate all aluminum to be placed in direct contact with masonry or other incompatible materials with a heavy coat of zinc chromate or bituminous paint.
8. Sealant selections are the responsibility and option of the erector or glazier and must be approved by the sealant manufacturer in regard to quality and compatibility for its intended use. All sealants must be used in strict accordance with the manufacturer's instructions, applied only by trained personnel to surfaces that have been properly prepared.
9. Drainage gutters and weep holes must be kept clean at all times. The manufacturer cannot accept responsibility for improper drainage as a result of clogged gutters and weep holes.
10. This product requires clearance at jambs to allow adequate expansion without tearing of perimeter seals, a 3/8" minimum.
11. All materials to be installed plumb, level and true with regard to established bench marks and column center lines established by the general contractor, checked by the window contractor.

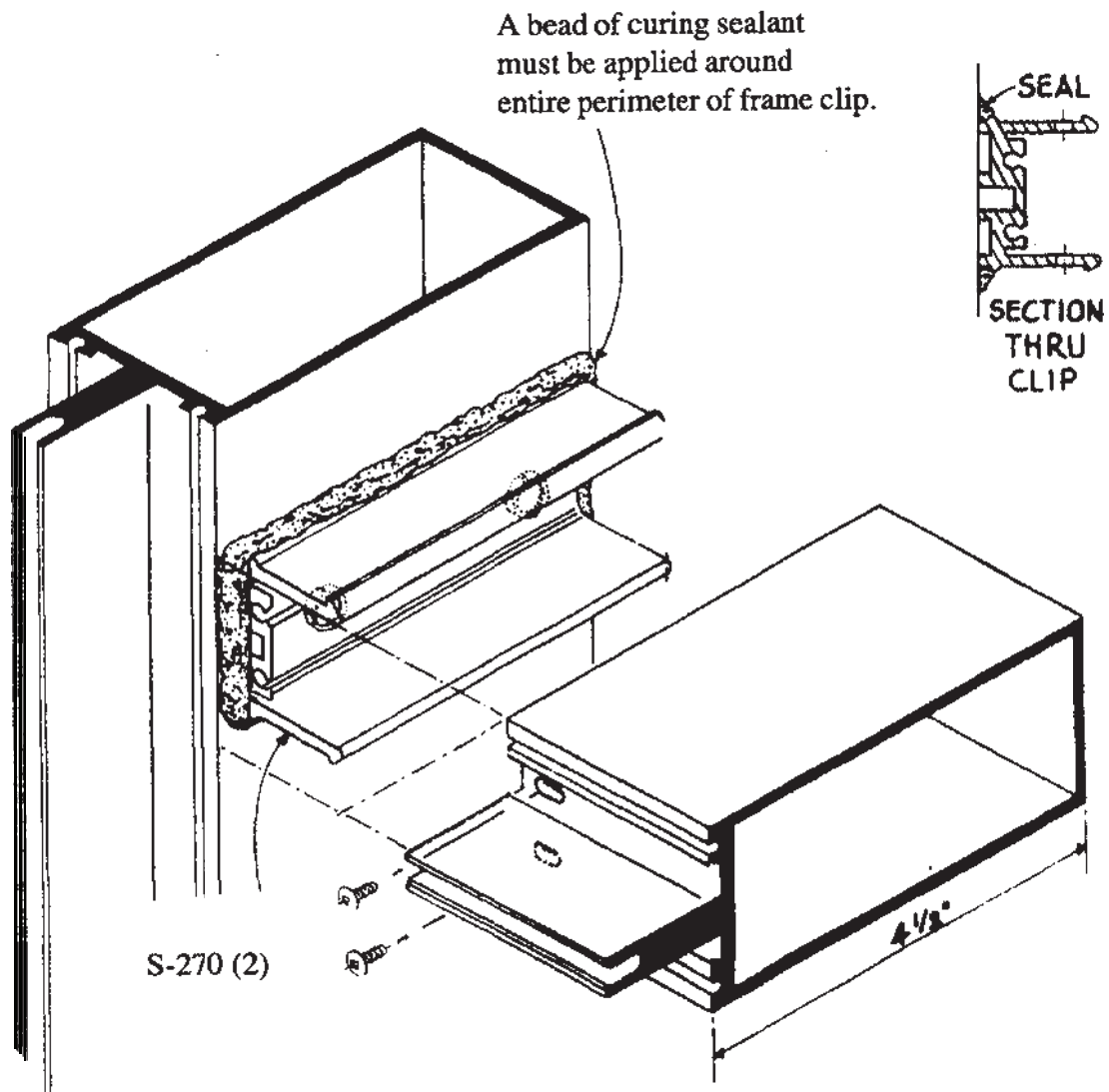
Step 1- Intermediate Horizontal Clip

Note: Check the design details or call an Applications Engineer for availability of tube sizes for various glass thicknesses.



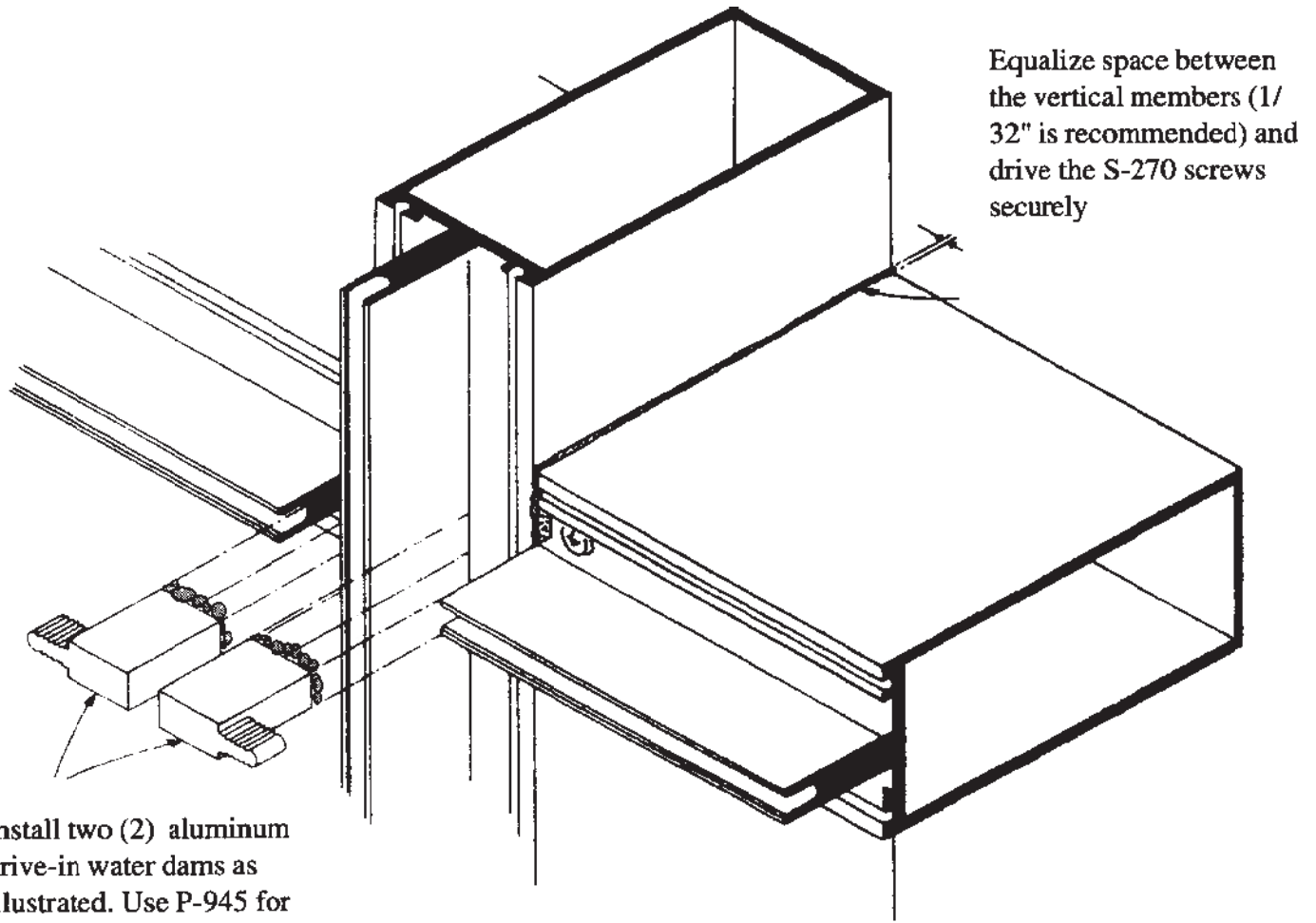
Clip C	Dim. A	Dim. B	Use With Extrusions	Glass	Tube Depth
P 1320 B	4.218"	.897"	E 1584, E 2297	1/4", 1"	6"
P 1320 C	2.250"	1.136"	E 0977, E 1025, E 2687	1/4", 1"	4 1/2"
P 1320	2.250"	.938"	E 2194	1/2"	4 1/8"
P 1320 A	2.250"	.886"	E 1199, E 1495, E 2639	1", 1/4", 1"	4"
P 1320 E	2.000"	.886"	E 1148	1"	3 3/4"
P 1320 F	1.875"	.886"	E 2053	1"	3 5/8"
P 1320 D	.750"	.886"	E 1046, E 1180	1"	2 1/2"
P 1320 G	1.125"	.574"	E 1216	1/4", 1"	2 1/4"
P 1320 H	.875"	.574"	E 1215	1"	2"

Step 2- Sealing Clip and Horizontal Joint



Drill two (2) slotted holes, .201" dia. x .281" long as shown, for S-270 fasteners. Center line of holes is 3/8" from end of tube on "v" groove extruded in member. Seal screw heads.

Step 3- Expansion Joints & Water Dams

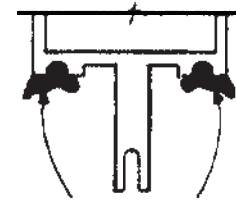


Equalize space between the vertical members ($1/32$ " is recommended) and drive the S-270 screws securely

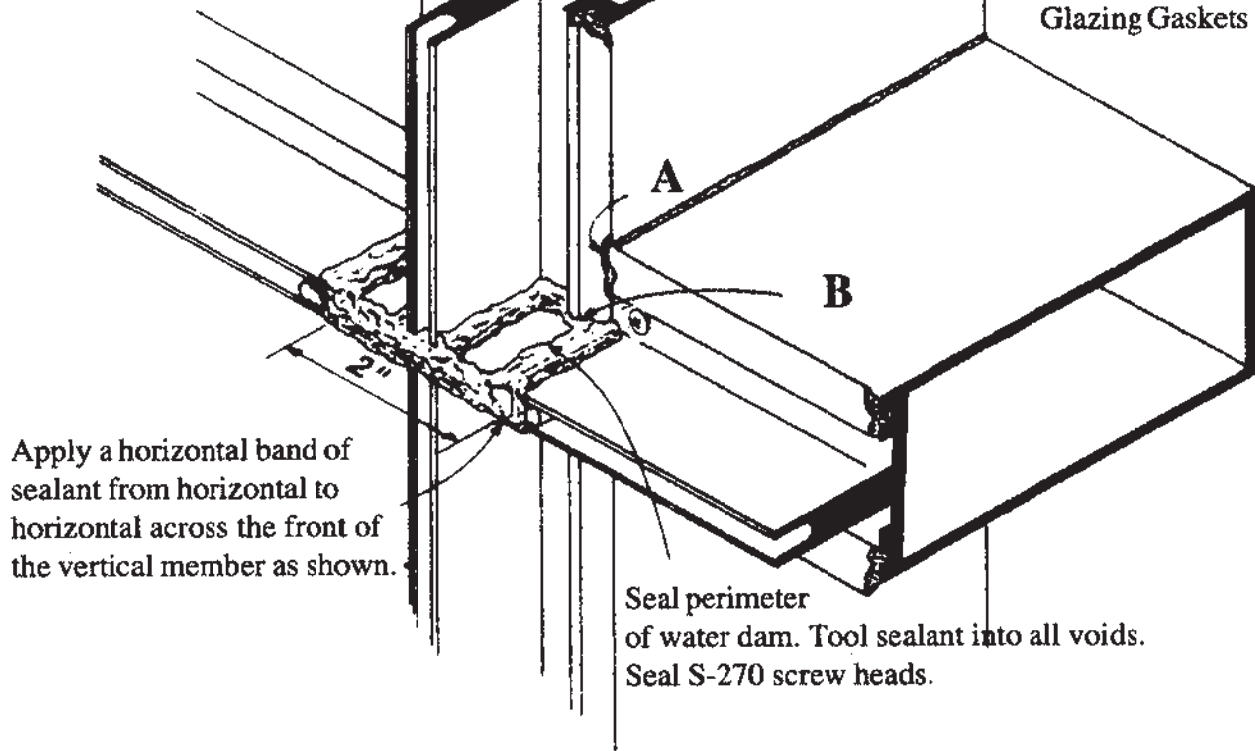
Install two (2) aluminum drive-in water dams as illustrated. Use P-945 for 1" glass and P-944 for $1/4$ " glass. Set in bed of sealant.

Step 4- Seal Glass Pocket & Install Gaskets

Note: Cut all gaskets long by 1/16" per foot of length.



P-TB-28
Proper Installation of
Glazing Gaskets



Apply a horizontal band of sealant from horizontal to horizontal across the front of the vertical member as shown.

Seal perimeter of water dam. Tool sealant into all voids. Seal S-270 screw heads.

A - Fit horizontal gaskets (P TB 28) to vertical gaskets (P TB 28). To ensure a "crowded" fit, seal the intersection with butyl base sealant.

B - Push vertical gaskets into sealant at water dams.

Step 5- Install Glass & Pressure Plates

2. Install glass.

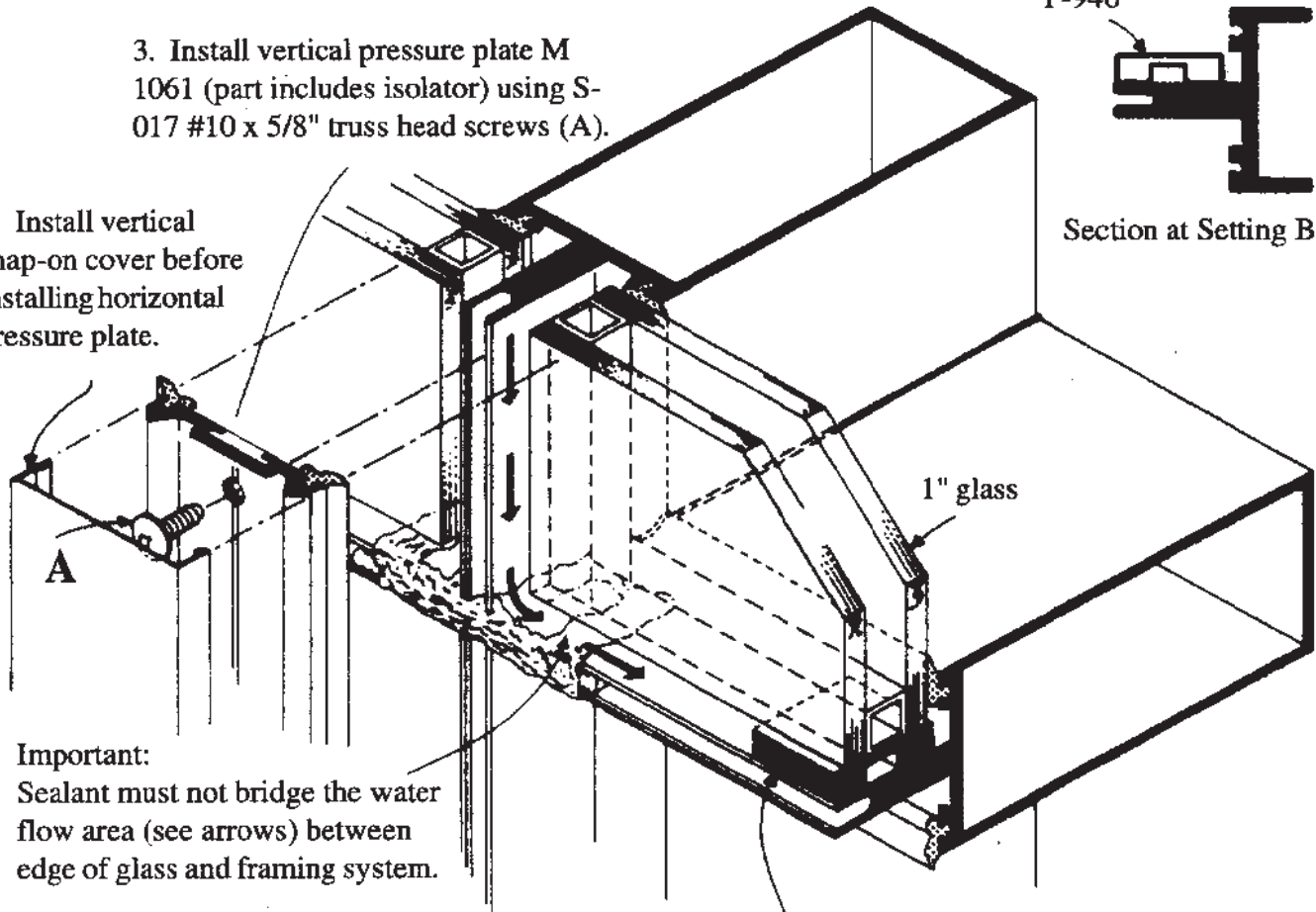
3. Install vertical pressure plate M 1061 (part includes isolator) using S-017 #10 x 5/8" truss head screws (A).

4. Install vertical snap-on cover before installing horizontal pressure plate.

P-946



Section at Setting Block

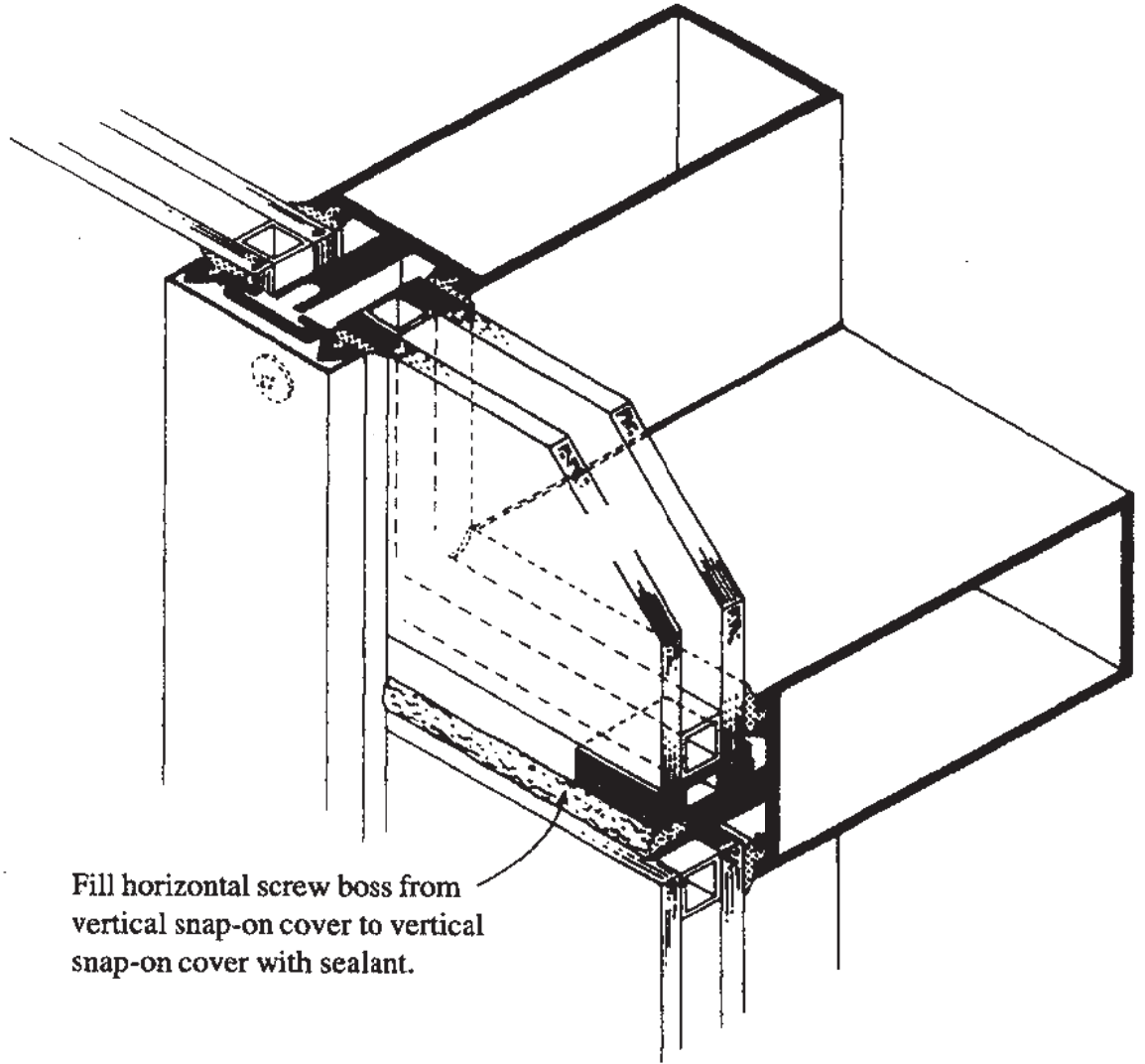


Important:

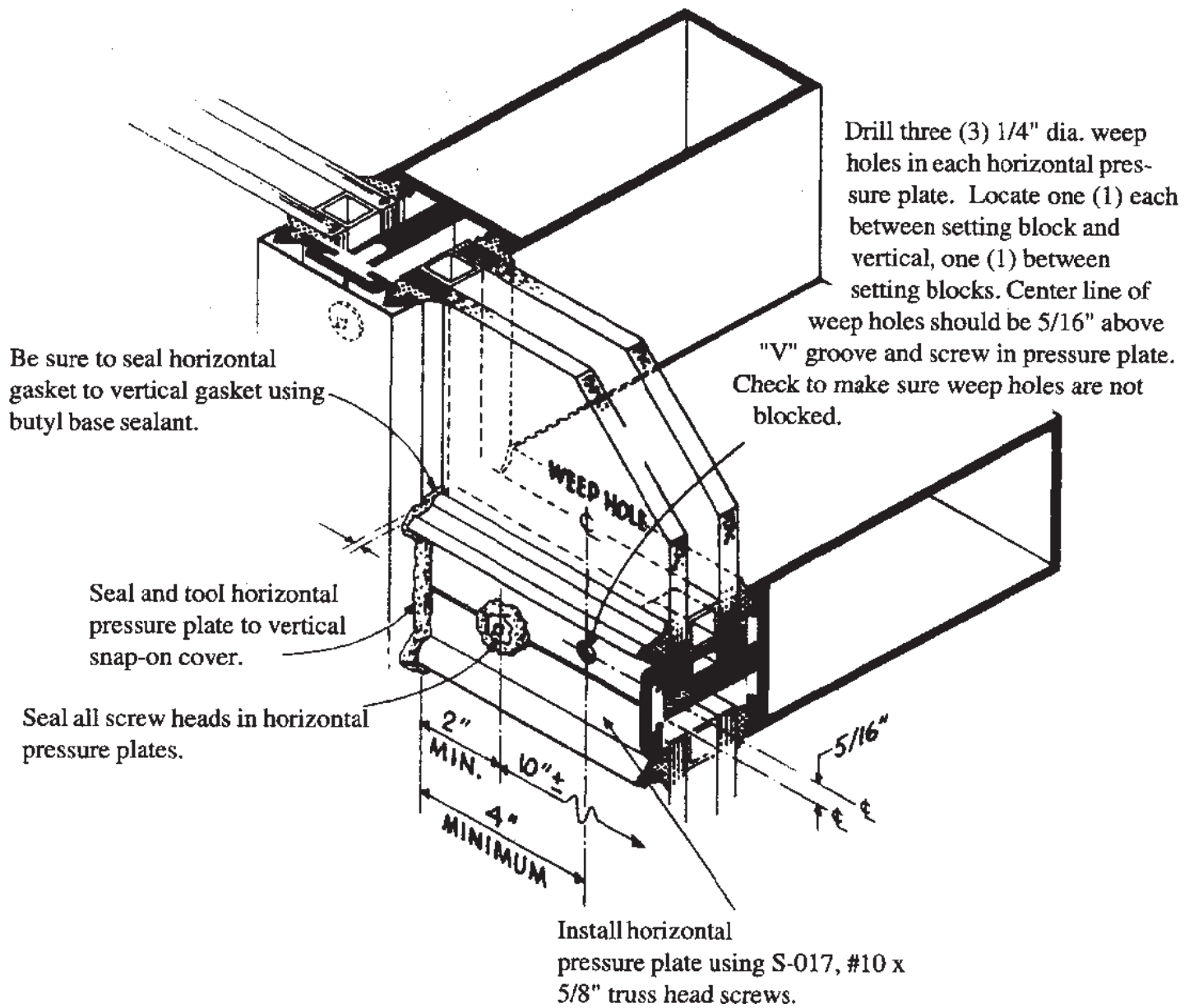
Sealant must not bridge the water flow area (see arrows) between edge of glass and framing system.

1. Install standard 4" long setting blocks at 1/4 points, or as indicated on approved shop drawings. Use P-946 for 1" glass and P-948 for 1/4" glass.

Step 6- Seal Horizontals

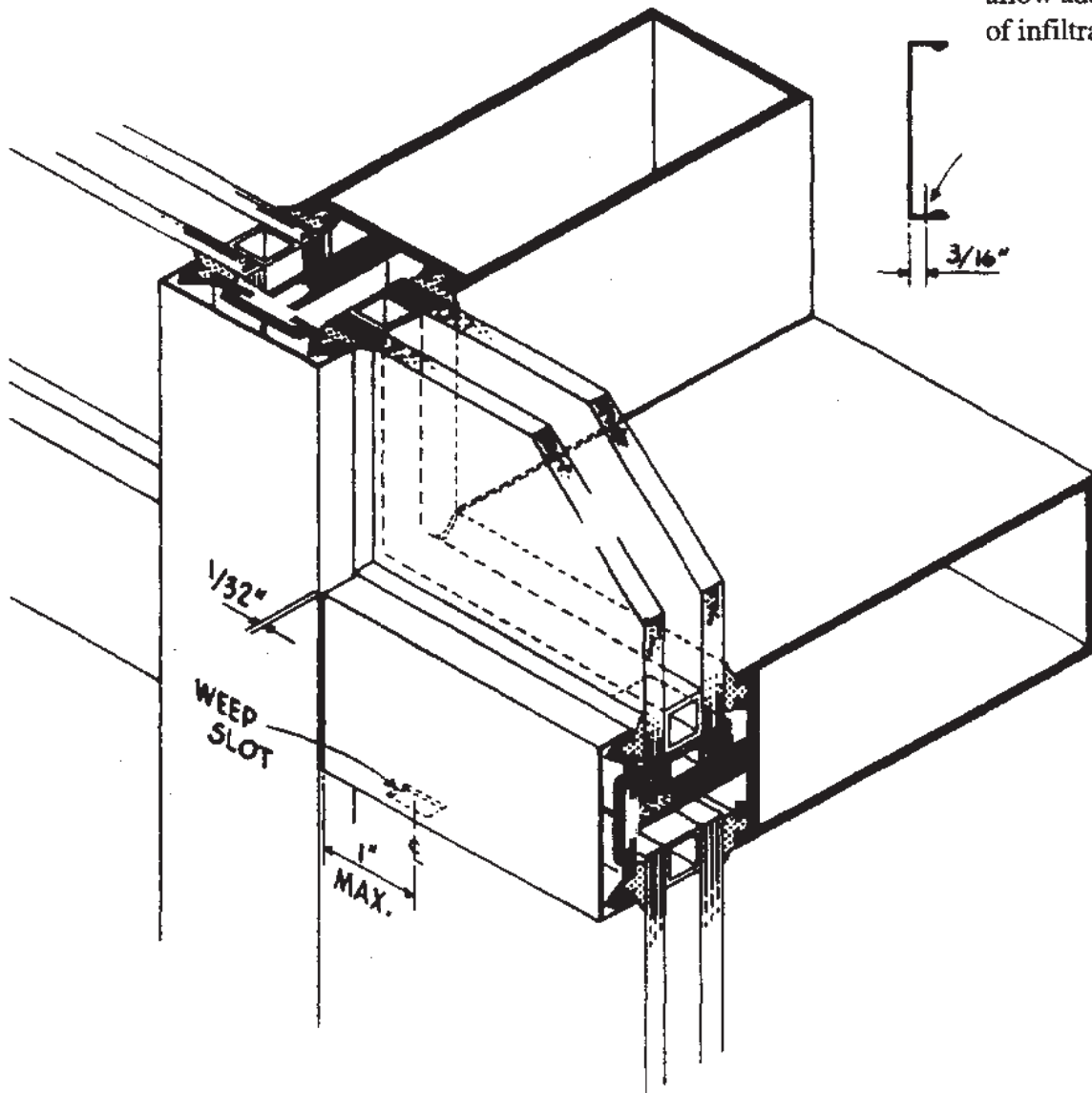


Step 7- Install Pressure Plates



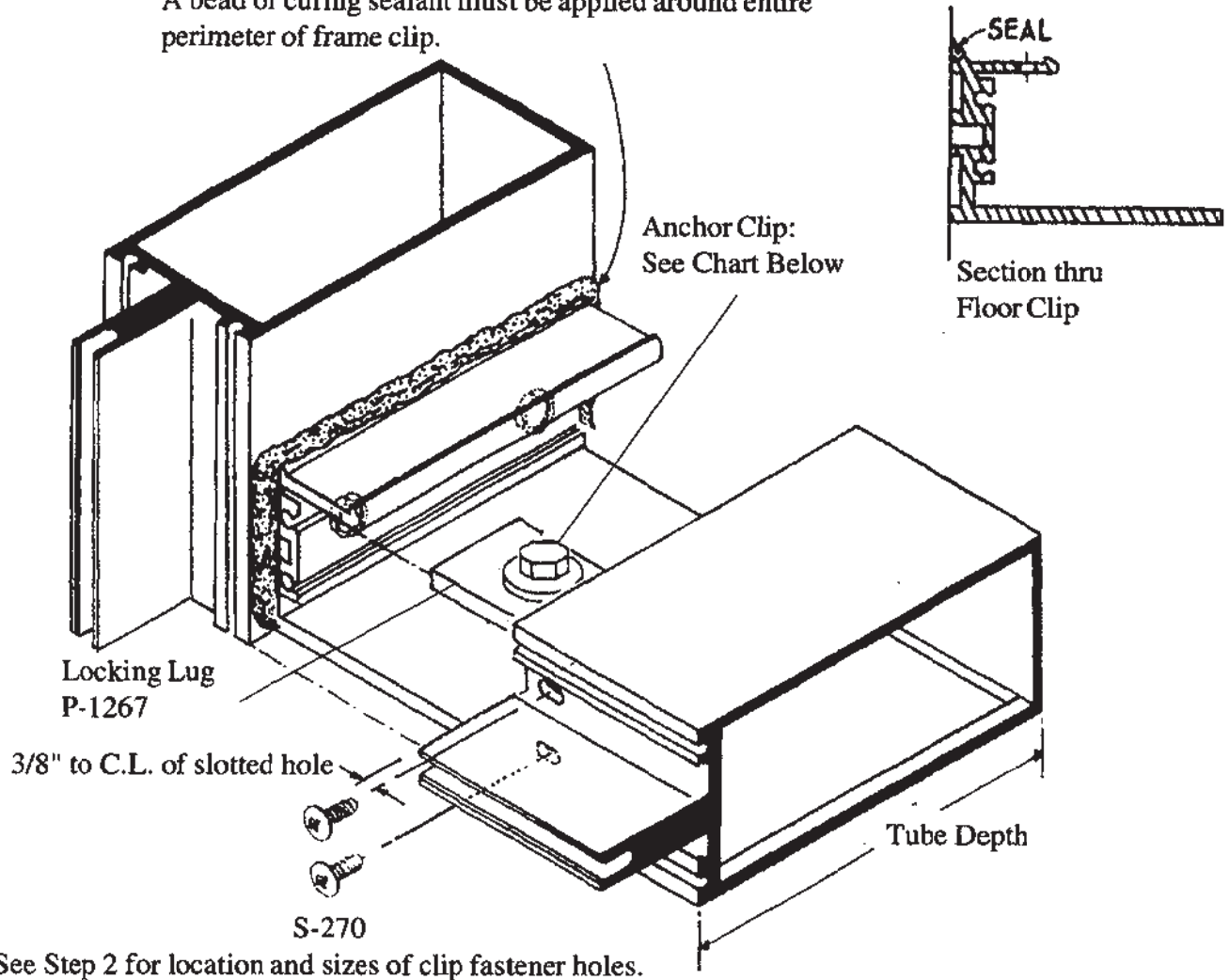
Step 8- Install Horizontal Snap Cover.

Make 1/4" x 1/2" weep slot in bottom edge of snap cover adjacent to each vertical member to allow adequate drainage of infiltrated water.



Optional Sill Anchor Clip.

A bead of curing sealant must be applied around entire perimeter of frame clip.



See Step 2 for location and sizes of clip fastener holes.

Clip C	Dim. A	Dim. B	Use With Extrusions	Glass	Tube Depth
P 1318 B	4.218"	.897"	E 1584, E 2297	1/4", 1"	6"
P 1318 C	2.250"	1.136"	E 0977, E 1025, E 2687	1/4", 1"	4 1/2"
P 1318	2.250"	.938"	E 2194	1/2"	4 1/8"
P 1318 A	2.250"	.886"	E 1199, E 1495, E 2639	1", 1/4", 1"	4"
P 1318 E	2.000"	.886"	E 1148	1"	3 3/4"
P 1318 F	1.875"	.886"	E 2053	1"	3 5/8"
P 1318 D	.750"	.886"	E 1046, E 1180	1"	2 1/2"
P 1318 G	1.125"	.574"	E 1216	1/4", 1"	2 1/4"
P 1318 H	.875"	.574"	E 1215	1"	2"

