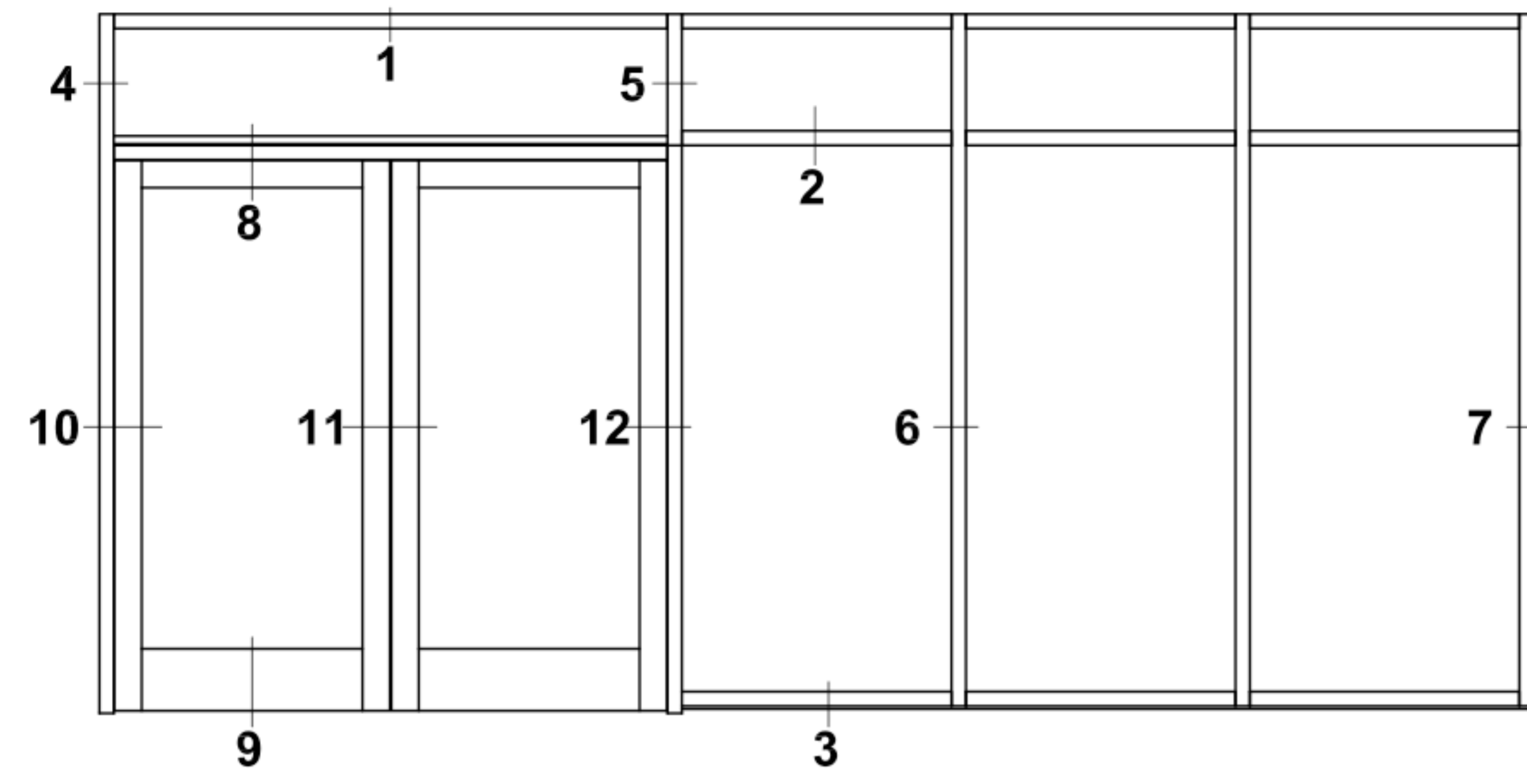
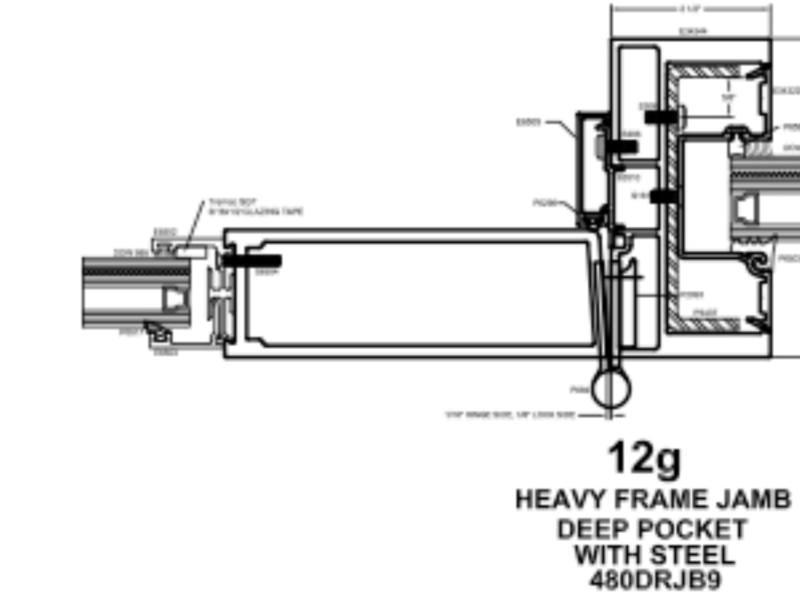
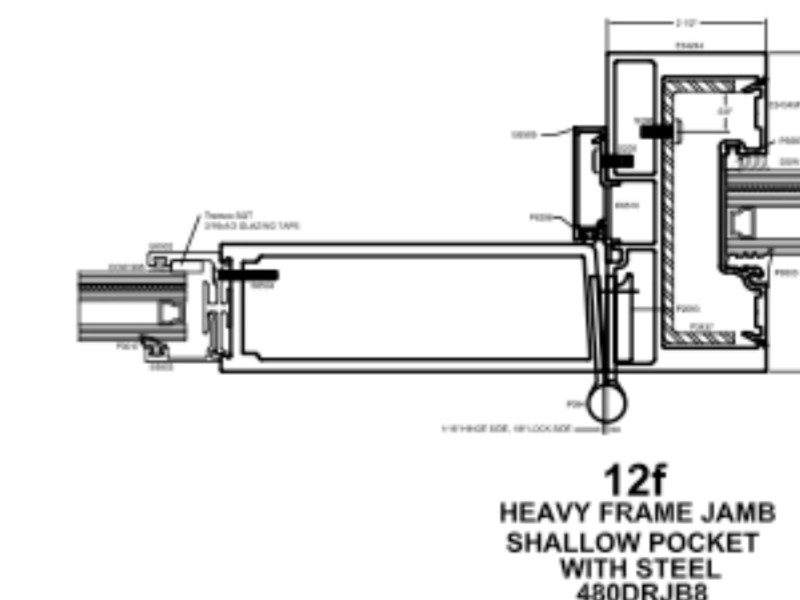
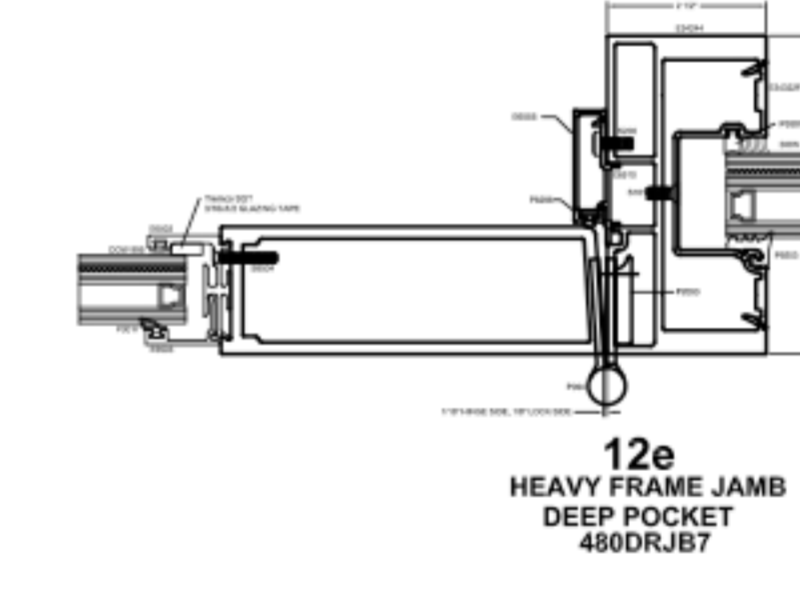
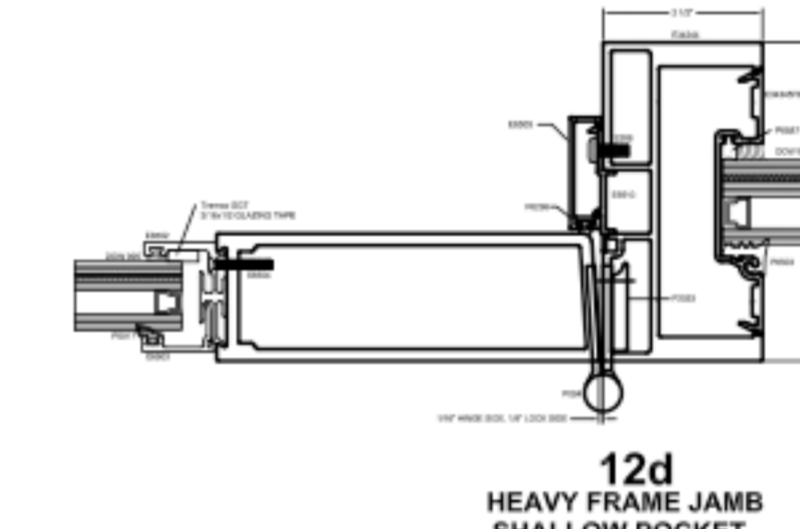
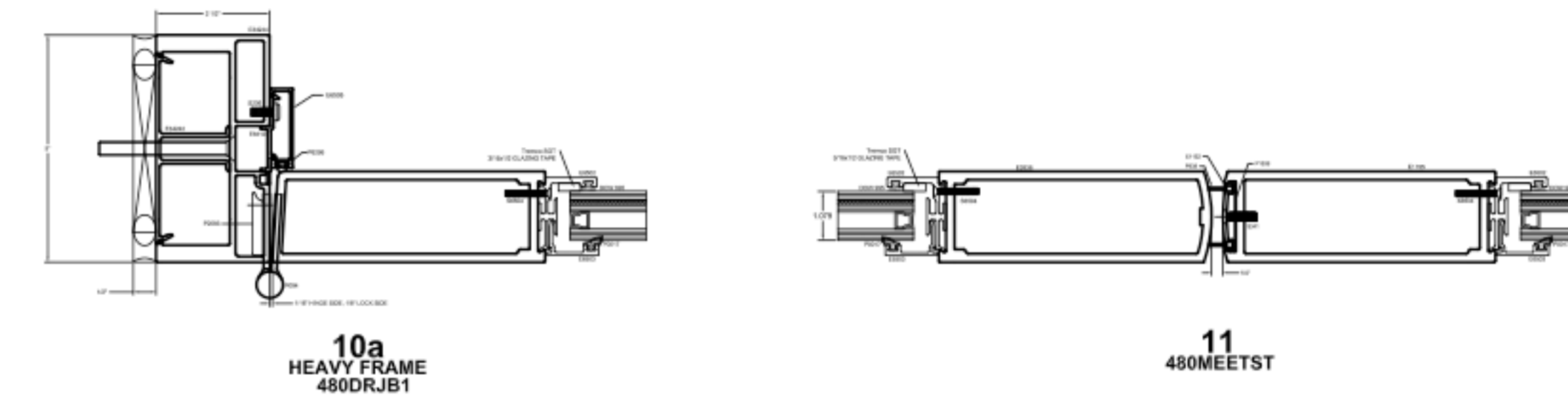
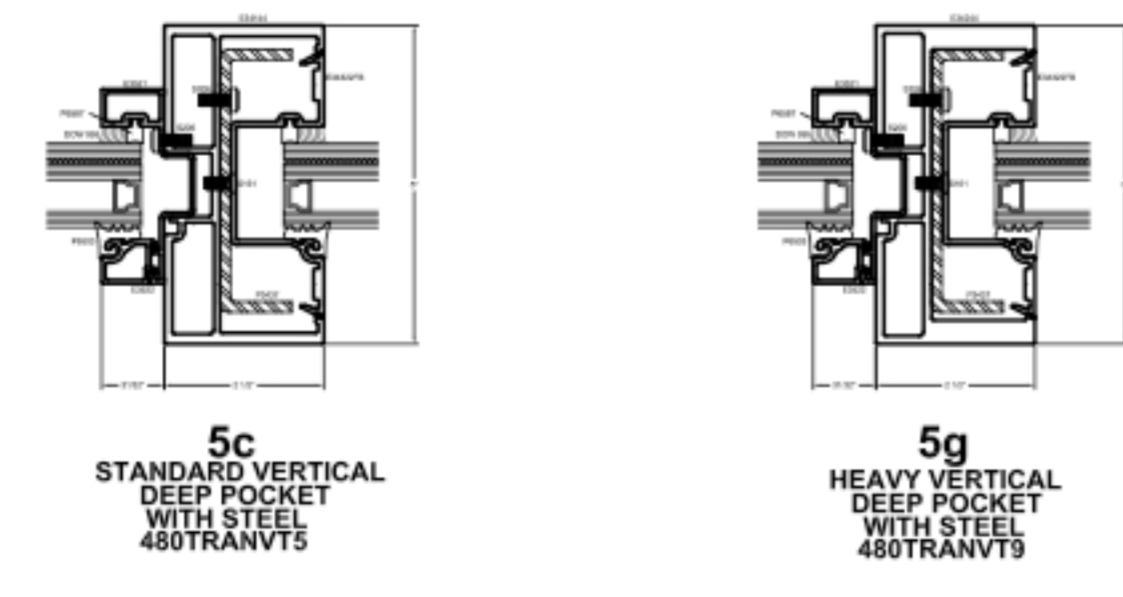
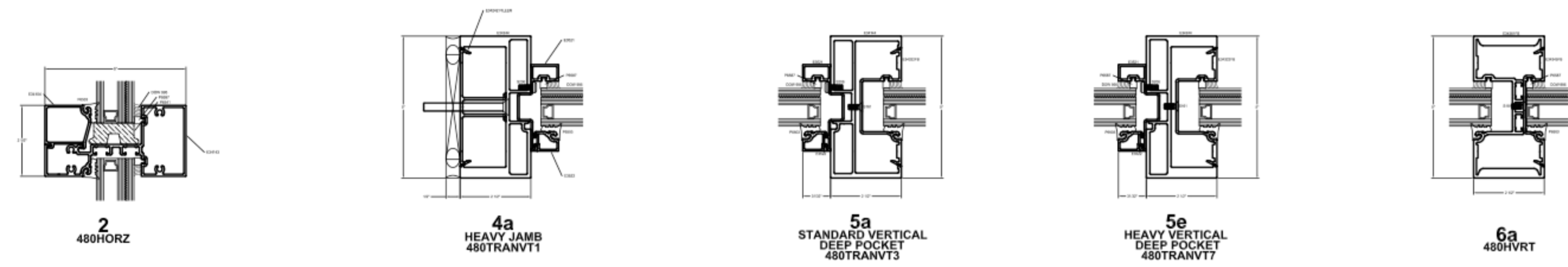
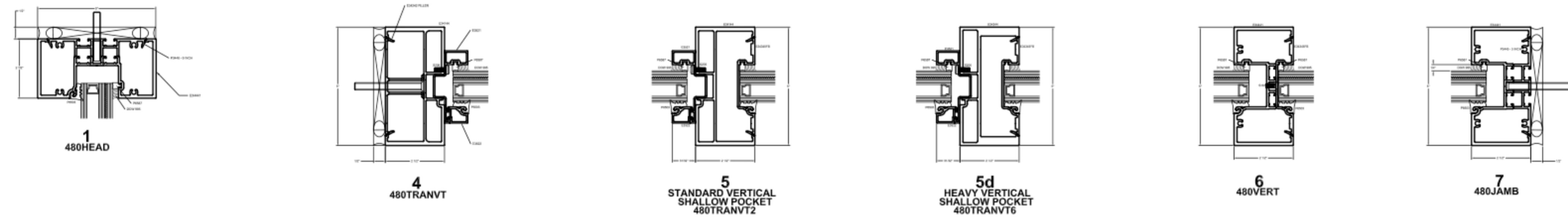
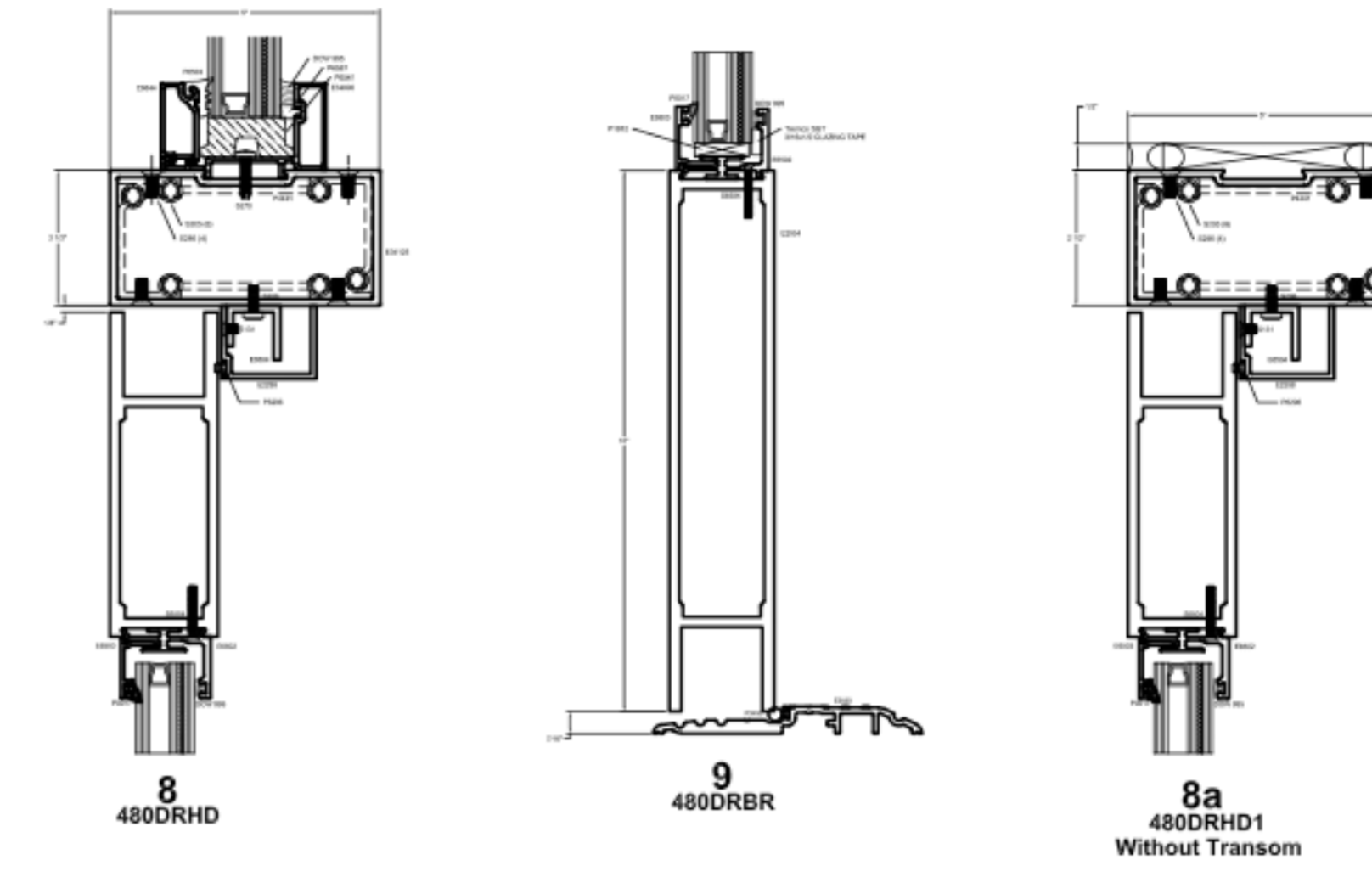


**TUBELITE<sup>®</sup>**  
DEPENDABLE  
E34000 Series Blast Impact Storefront



TYPICAL ELEVATION



E34000 SERIES BLAST IMPACT STOREFRONT  
WET GLAZE, NON THERMAL (480)

REVISION DATE:03/15/18

S:\Engineering\ENGINEERING DRAWINGS\Details\480) E34000 Wet Glaze\34000Perim(480)

**TUBELITE<sup>®</sup>**  
**DEPENDABLE**  
LEADERS IN ECO-EFFICIENT STOREFRONT,  
CURTAINWALL AND ENTRANCE SYSTEMS