

GENERAL NOTES, LARGE MISSILE IMPACT OUTSIDE HVHZ:

1. THIS PRODUCT, FABRICATED AND ANCHORED AS DETAILED IN THIS DRAWING, IS LARGE MISSILE IMPACT RESISTANT AND DOES NOT REQUIRE THE USE OF SHUTTERS.
2. THIS PRODUCT HAS BEEN TESTED TO ASTM E 283, ASTM E 330, ASTM E 331 LIMITED (SEE BELOW), ASTM E 1886/1996 MISSILE LEVEL D (9 LB 2X4, 50 FT/SEC) WINDZONE 3, AND AAMA 1304, AND MEETS THE REQUIREMENTS OF THE FLORIDA BUILDING CODE, 2007 EDITION, FOR USE OUTSIDE THE HIGH VELOCITY HURRICANE ZONE. THIS PRODUCT IS RATED FOR LIMITED WATER INFILTRATION RESISTANCE (TESTING WAS PERFORMED WITH FULL WATER FLOW OF 5.0 GPH/FT², BUT ZERO TEST PRESSURE DIFFERENTIAL DURING WATER APPLICATION).
3. ALLOWABLE CONFIGURATIONS: X (SINGLE PANEL), X-X (DOUBLE PANEL)
4. THE DESIGN PRESSURE RATINGS (SEE SHEETS 1 AND 2) IN THIS DRAWING ARE AS LIMITED BY ASTM E-1300 02/04 GLASS TABLES, AND TESTED PRESSURES.
5. THE 4/3 ALLOWABLE STRESS INCREASE HAS NOT BEEN USED IN THE ANCHOR ANALYSIS FOR THIS SYSTEM. THE 1.6 Cd FACTOR WAS USED IN THE ANALYSIS OF ANCHORAGE INTO WOOD SUBSTRATE.
6. INSTALLATION OF WOOD BUCKS TO THE SUBSTRATE TO BE ENGINEERED BY OTHERS OR AS APPROVED BY THE AUTHORITY HAVING JURISDICTION. BUCKING, OPENINGS & BUCKING FASTENERS MUST BE PROPERLY DESIGN & INSTALLED TO TRANSFER WIND LOADS TO THE STRUCTURE.
7. DISSIMILAR MATERIALS THAT COME INTO CONTACT SHALL BE COATED OR OTHERWISE PROTECTED PER FBC TO PREVENT GALVANIC REACTIONS.
8. ALL HARDWARE & FASTENERS SHALL BE IN ACCORDANCE WITH THESE DRAWINGS & MAY NOT VARY UNLESS SPECIFICALLY MENTIONED ON THE DRAWINGS.
9. SPECIFIED EMBEDMENT TO BASE MATERIAL SHALL BE BEYOND WALL FINISH OR STUCCO.

APPROVED LOCKING HARDWARE:

ACTIVE PANEL:

+100/-100 P.S.F IN 4'x8' NOM. PANEL SIZE MAX.

ADAMS-RITE MS1853-410 THREE POINT LOCK (CONTAINS DEAD LOCK WITH FLUSH BOLTS MS1850S 1-1/2 BACKSET, 4015 THRESHOLD BOLT AT BOTTOM OF PANEL, 4016 BOLT AT TOP OF PANEL). ACHIEVED TAS 202 / ASTM E330 STATIC LOAD TEST OF +/-130 P.S.F. DESIGN PRESSURE, AND TAS 203 / ASTM E1886/1996 CYCLIC LOAD TEST OF +/-100 P.S.F. DESIGN PRESSURE.

INACTIVE PANEL:

+100/-100 P.S.F IN 4'x8' NOM. PANEL SIZE MAX.

ADAMS-RITE MS1881 TWO POINT FLUSH BOLT

+90/-90 P.S.F IN 4'x8' NOM. PANEL SIZE MAX.

INTERNATIONAL F1203 STANDARD FLUSH BOLTS, PART #P059 WITH #P849 GUIDE, ON TOP AND BOTTOM OF PANEL

+100/-100 P.S.F IN 3'x7' NOM. PANEL SIZE MAX.

4085 HEADER BOLT ON TOP OF PANEL AND INTERNATIONAL F1203 MANUAL FLUSH BOLT ON BOTTOM OF PANEL

OTHER APPROVED HARDWARE:

+100/-100 P.S.F IN 4'x8' NOM. PANEL SIZE MAX.:


1. MORTISED HD HAGER BUTT HINGE BB-1199 (PART #P1558) WITH TWO BUTT HINGE REINFORCEMENTS (PART #P2092) PER HINGE:
 3'X7' NOM. MAX. PANEL: THREE (3) HINGES PER PANEL AT 6" MAX. FROM BOTTOM OF DOOR AND 36 1/2" O.C. THEREAFTER.
 4'X8' NOM. MAX. PANEL: FOUR (4) HINGES PER PANEL AT 5 1/2" MAX. FROM BOTTOM OF DOOR AND 28" O.C. THEREAFTER.
2. ROCKWOOD BF156 / SP47 PUSH-PULL HANDLES
3. NATIONAL GUARD PRODUCTS THRESHOLD XB896N (PART #P6525-0R)
4. INTERNATIONAL SERIES 300 CONCEALED CLOSER

+/-65 P.S.F. IN 4'x8' NOM. PANEL SIZE MAX.:

FIRST CHOICE 3600 CONCEALED VERTICAL ROD EXIT DEVICE. ACHIEVED TAS 202 / ASTM E330 STATIC LOAD TEST OF +/-80 P.S.F. DESIGN PRESSURE, AND TAS 203 / ASTM E1886/1996 CYCLIC LOAD TEST OF +70/-65 P.S.F. DESIGN PRESSURE.

+/-100 P.S.F. IN 3'x7' NOM. PANEL SIZE MAX.:

1. FIRST CHOICE 3600 CONCEALED VERTICAL ROD EXIT DEVICE.
2. VON DUPRIN 111018-4954 REMOVABLE MULLION WITH MODIFIED VON DUPRIN REMOVABLE MULLION CLIPS AND ALUMINUM ANGLE CLIPS.
3. ROCKWOOD BF156/157 / SP47 OR BF15747 PUSH-PULL HANDLES
4. DORMA 8616 SURFACE MOUNT CLOSER


 SCOTT WALTERS
 FL PE # 62354
 WALTERS ENGINEERING, INC.
 (COA # 27194)
 1271 GRANT STREET
 HOLLYWOOD, FL 33019
 AUG 29 2011

TUBELITE
 DEPENDABLE
 LEADERS IN ECO-EFFICIENT STOREFRONT,
 CURTAINWALL, AND ENTRANCE SYSTEMS

TUBELITE
 FORCEFRONT
 HURRICANE SERIES
 MONUMENTAL DOORS - DRY SET
 IN CURTAINWALL FRAME

3056 WALKER RIDGE DRIVE N.W.
 WALKER, MICHIGAN 49544
 PH: 800.886.2227
 FX: 616.301.0008
 WEB SITE: WWW.TUBELITEINC.COM

REVISION HISTORY:

REV	DATE	DESCRIPTION	DRAWN	DATE	DESCRIPTION
0	3.29.11	ORIGINAL RELEASE	KARHILL		
A	8.29.11	ADDED HARDWARE	LT		

DATE: 08.29.11

PROJECT NUMBER: H584-0801-11

DRAWN: LT

FINAL REVIEW: SW

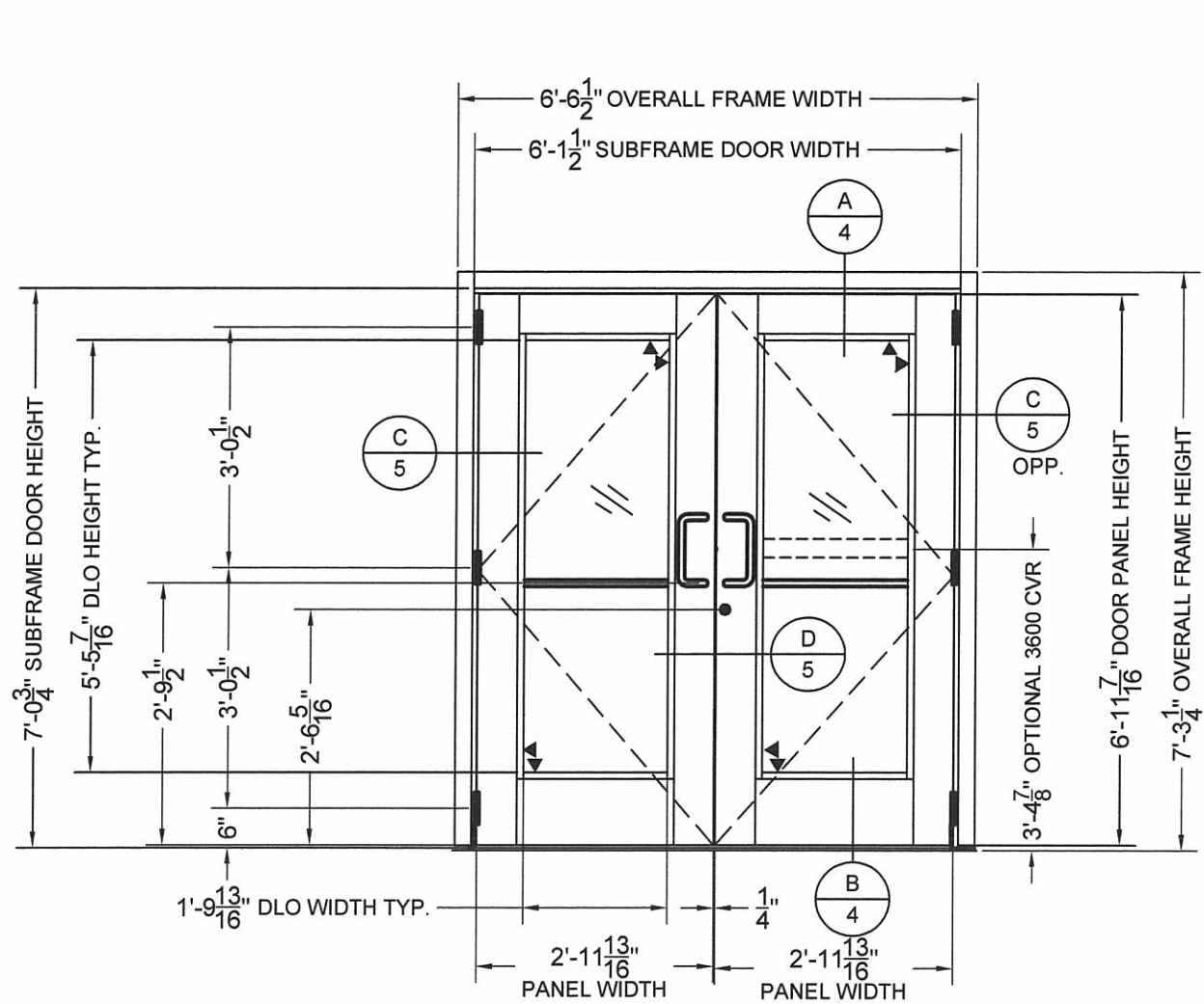
SCALE: N.T.S.

REVISION: A

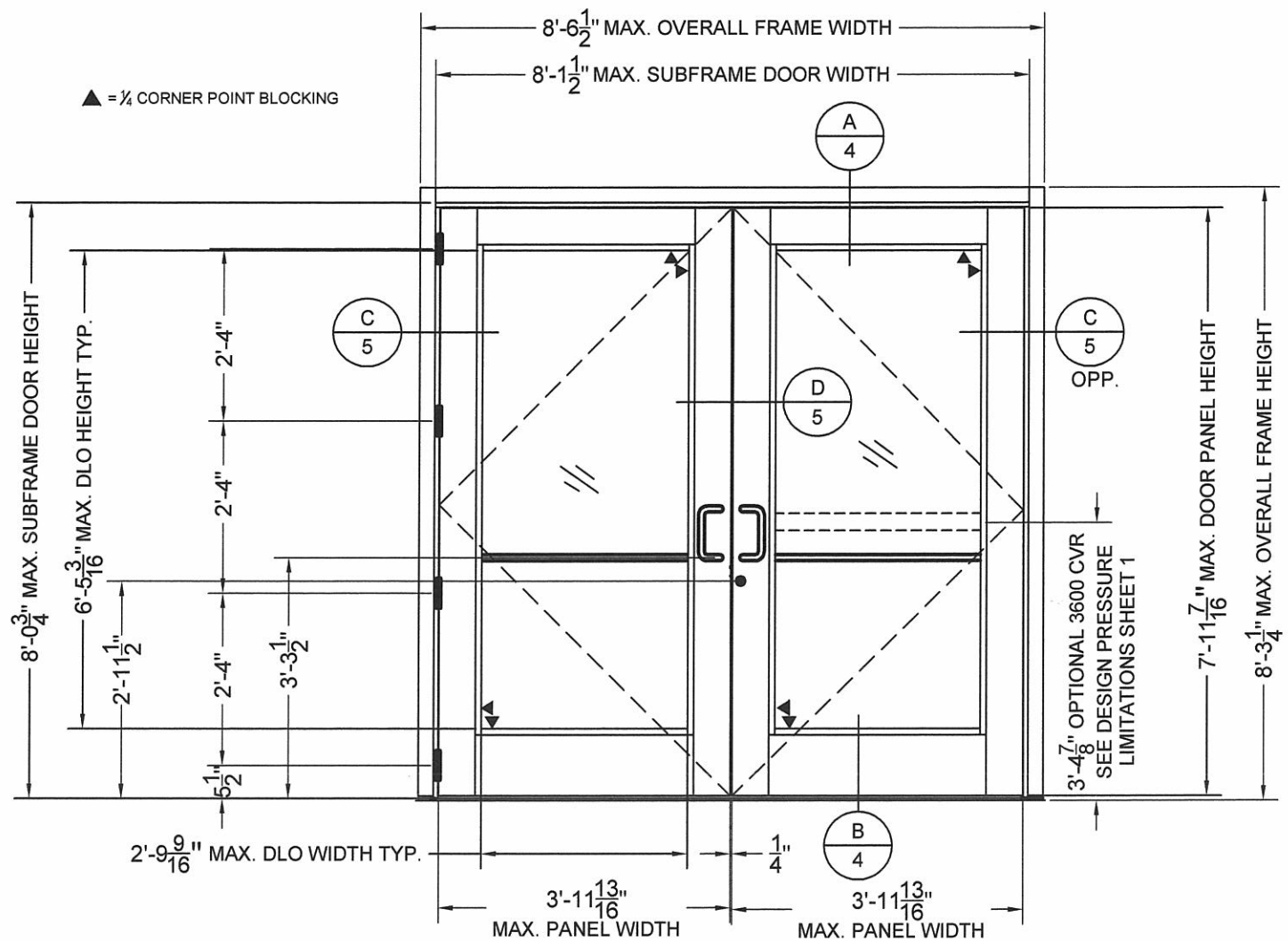
SHEET NAME:

NOTES,
HARDWARE,
GLAZING DETAIL

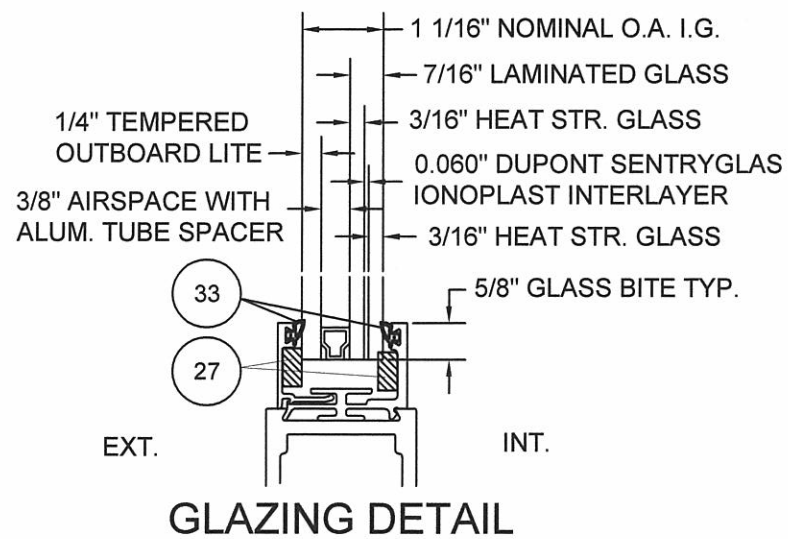
SHEET: 1 OF 7



EXTERIOR ELEVATION - MONUMENTAL DOUBLE
OPERABLE 6-0 x 7-0 DOOR IN CURTAIN WALL FRAME



EXTERIOR ELEVATION - MONUMENTAL DOUBLE
OPERABLE 8-0 x 8-0 DOOR IN CURTAIN WALL FRAME



GLAZING DETAIL

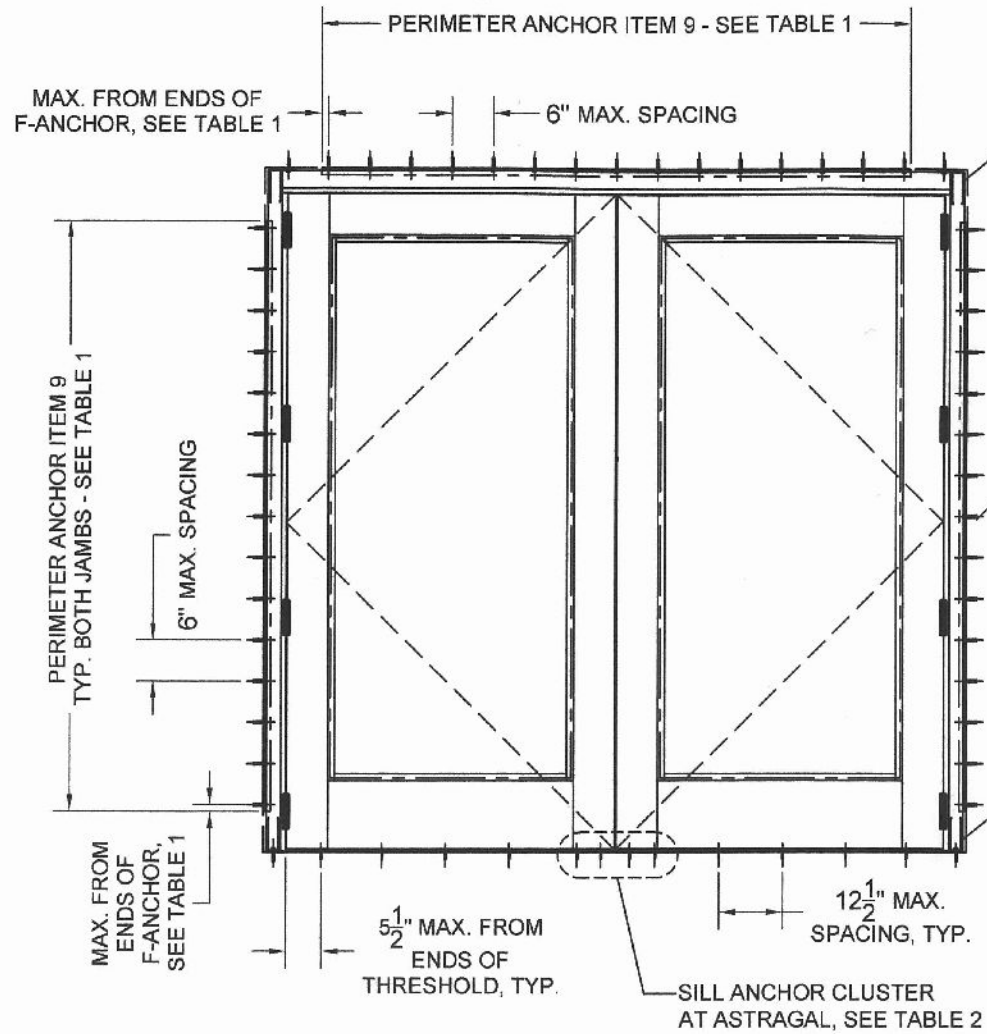
Scott Wolters
 SCOTT WOLTERS
 FL PE # 62354
 WOLTERS ENGINEERING, INC.
 (COA # 27194)
 1271 GRANT STREET
 HOLLYWOOD, FL 33019
 AUG 29 2011

TUBELITE
 FORCEFRONT
 HURRICANE SERIES
 MONUMENTAL DOORS - DRY SET
 IN CURTAINWALL FRAME

TUBELITE
 LEADERS IN ECO-EFFICIENT STOREFRONT,
 CURTAINWALL AND ENTRANCE SYSTEMS
 3055 WALKER RIDGE DRIVE N.W.
 WALKER, MICHIGAN 49544
 PH: 800.866.2227
 FX: 616.301.0008
 WEB SITE: WWW.TUBELITEINC.COM

REV	DATE	DRAWN	DESCRIPTION
0	3.29.11	KARHULT	ORIGINAL RELEASE
A	8.29.11	LT	ADDED CVR OPTION

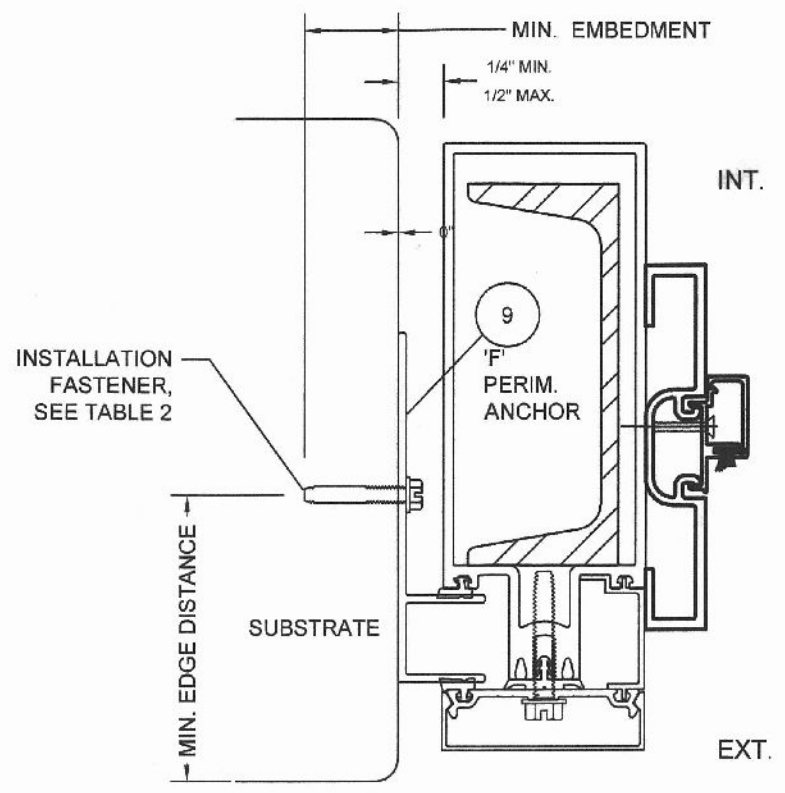
DATE: 08.29.11
 PROJECT NUMBER: H584-0801-11
 DRAWN: LT
 FINAL REVIEW: SW
 SCALE: N.T.S.
 REVISION: A
 SHEET NAME: ELEVATIONS, GLAZING DETAIL
 SHEET: 2 OF 7



ANCHORAGE ELEVATION

3 TYP. AT HEAD, ATTACHED TO SUBSTRATE W/ (2) INSTALLATION FASTENERS PER CLIP

5 TYP. AT SILL, ATTACHED TO SUBSTRATE W/ (2) INSTALLATION FASTENERS PER CLIP



TYP. HEAD/JAMB ANCHORAGE

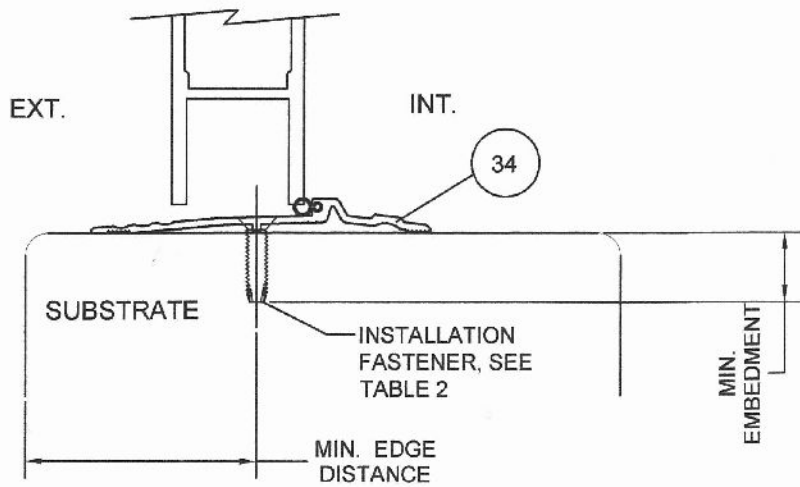
TABLE 1. F PERIMETER ANCHOR DETAILS

DOOR SIZE	F PERIM. ANCHOR CUT LENGTH AT HEAD	MIN. ANCHOR DIST FROM ENDS OF 'F' AT HEAD	F PERIM. ANCHOR CUT LENGTH AT JAMBS	MIN. ANCHOR DIST FROM ENDS OF 'F' AT JAMBS
6' X 7'	5'-8"	4 1/2"	6'-0"	2 1/2"
8' X 8'	7'-2"	1"	7'-2"	1"

TABLE 2. QUALIFIED ANCHOR INFORMATION

ANCHOR	SUBSTRATE	MIN. EMBED.	MIN. EDGE DIST.	SILL CLUSTER QTY REQ'D	SILL CLUSTER MIN. SPACING
HEAD, JAMB, AND SILL QUALIFIED ANCHORS - MASONRY OR METAL SUBSTRATE					
3/8" REDHEAD DYNABOLT SLEEVE	CONCRETE (3.2 KSI MIN)	1 1/2"	4"	3	4"
3/8" REDHEAD DYNABOLT SLEEVE	GROUT FILLED CMU	1 1/2"	4"	N/A	
3/8" HILTI HLC SLEEVE	CONCRETE (3.2 KSI MIN)	1 1/2"	4"	2	4"
3/8" HILTI HLC SLEEVE	GROUT FILLED CMU	1 1/2"	4"	N/A	
3/8" HILTI KWIK BOLT III	CONCRETE (3.2 KSI MIN)	3	4"	N/A	
1/4" ITW TAPCON	CONCRETE (3.2 KSI MIN)	1 1/2"	3"	4	4"
1/4" ITW TAPCON	GROUT FILLED CMU	1 1/4"	2 1/2"	N/A	
1/4-20 F-TYPE GRADE 5	1/8" ALUM. 6063-T5 MIN.	SEE NOTE	1/2"	4	4"
1/4-20 F-TYPE GRADE 5	1/8" STEEL 36 KSI MIN.	SEE NOTE	1/2"	4	4"
SILL QUALIFIED ANCHORS - WOOD SUBSTRATE					
#14 WOOD SCREW GRADE 5	WOOD (G=0.42 MIN)	1 3/8"	1"	8	1 1/2"
1/4" ITW TAPCON	WOOD (G=0.42 MIN)	1 3/8"	1"	8	1 1/2"
HEAD AND JAMB QUALIFIED ANCHORS - WOOD SUBSTRATE					
3/8" LAG SCREW GRADE 5	WOOD (G=0.42 MIN)	4"	1 1/2"		

NOTE: ANCHORS THROUGH METAL SHALL BE OF SUFFICIENT LENGTH TO PROVIDE THREAD ENGAGEMENT THROUGH THE FULL METAL THICKNESS



TYP. SILL ANCHORAGE

Scott Wolters
SCOTT WOLTERS
 FL PE # 62354
 WOLTERS ENGINEERING, INC.
 (COA # 27194)
 1271 GRANT STREET
 HOLLYWOOD, FL 33019

AUG 29 2011

TUBELITE
 FORCEFRONT
 HURRICANE SERIES
 MONUMENTAL DOORS - DRY SET
 IN CURTAINWALL FRAME

3056 WALKER RIDGE DRIVE N.W.
 WALKER, MICHIGAN 49544
 PH: 800.886.2227
 FX: 616.301.0008
 WEB SITE: WWW.TUBELITEINC.COM

TUBELITE
 DEPENDABLE
 LEADERS IN ECO-EFFICIENT STOREFRONT
 CURTAINWALL AND ENTRANCE SYSTEMS

REVISION HISTORY:

REV	DATE	DESCRIPTION
0	3.29.11	ORIGINAL RELEASE
1	8.29.11	NO CHANGE THIS SHT

DATE: 08.29.11

PROJECT NUMBER: H584-0801-11

DRAWN: LT

FINAL REVIEW: SW

SCALE: N.T.S.

REVISION: A

SHEET NAME:

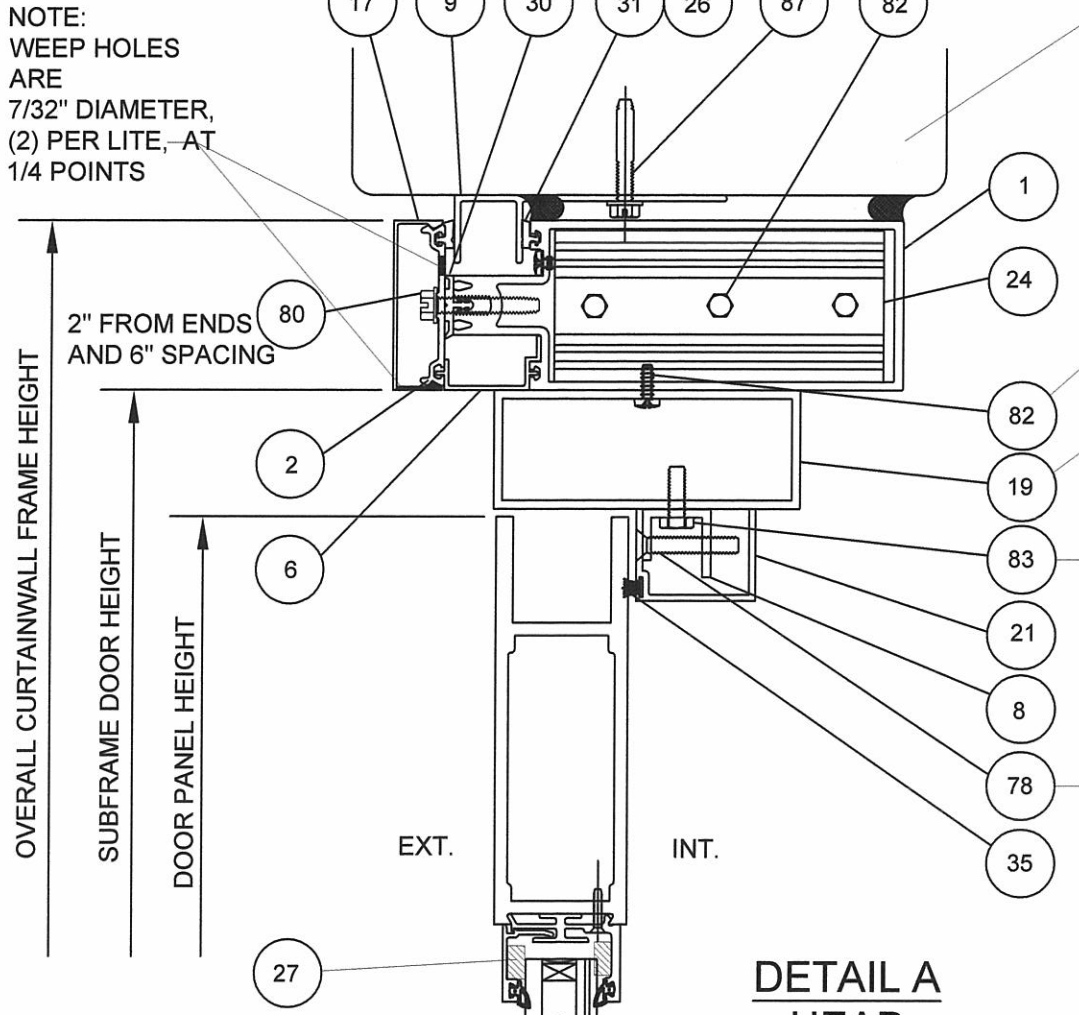
ANCHORAGE INFORMATION

SHEET: 3 OF 7

NOTE:
WEEP HOLES
ARE
7/32" DIAMETER,
(2) PER LITE, AT
1/4 POINTS

SEE ANCHOR CHART, SHEET 2

SUBSTRATE



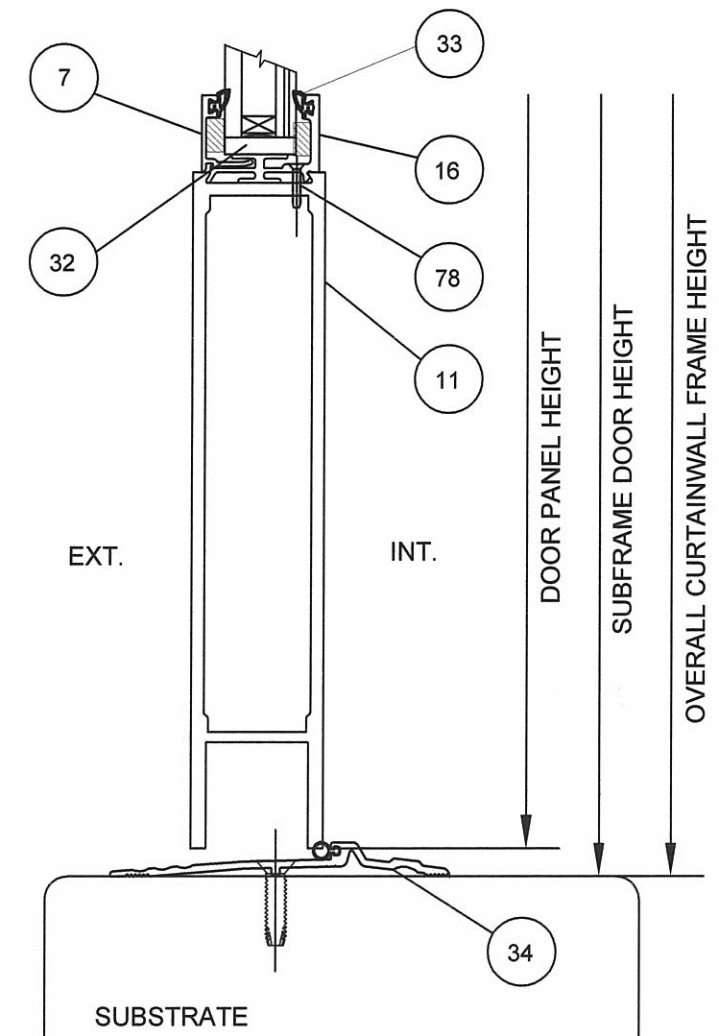
2" FROM ENDS & 6" SPACING

ITEMS 10 & 20, 3/4" SUBFRAME AND FILLER, MAY ALSO BE USED

NOTE: 5/16" DIA HOLES, 6" FROM ENDS AND 12" ON CENTER (1) PIECE REQUIRED PER DOOR

2" FROM ENDS & 6" SPACING

**DETAIL A
HEAD**

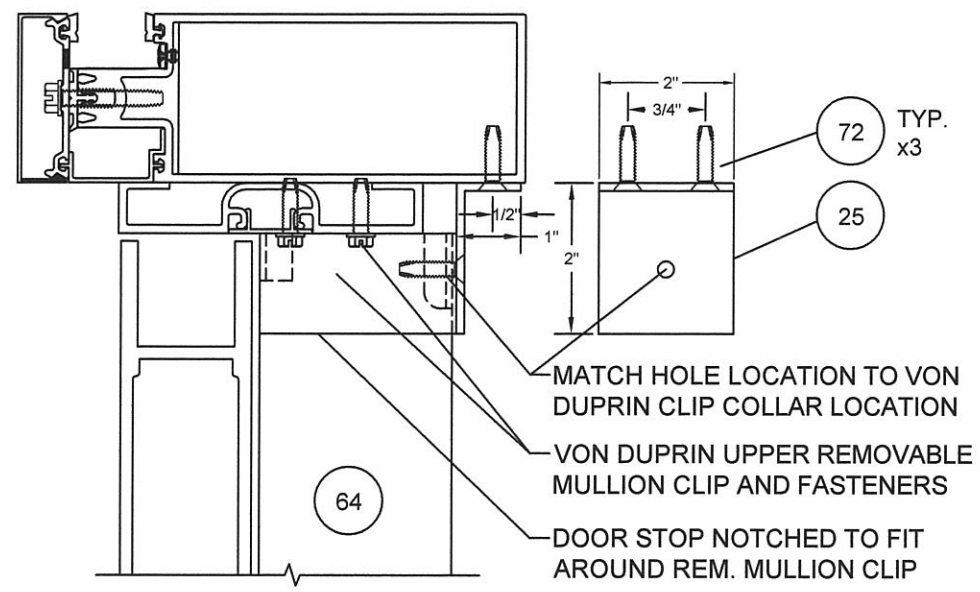


EXT.

INT.

SUBSTRATE

**DETAIL B
SILL**

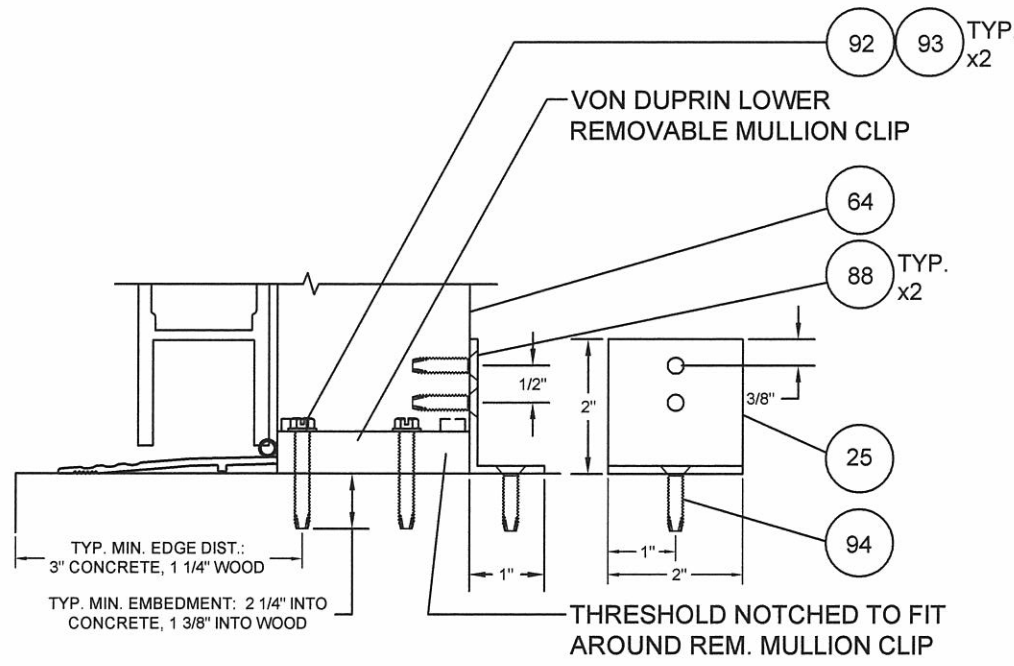


MATCH HOLE LOCATION TO VON DUPRIN CLIP COLLAR LOCATION

VON DUPRIN UPPER REMOVABLE MULLION CLIP AND FASTENERS

DOOR STOP NOTCHED TO FIT AROUND REM. MULLION CLIP

REMOVABLE MULLION HEAD DETAIL



TYP. MIN. EDGE DIST.: 3" CONCRETE, 1 1/4" WOOD

TYP. MIN. EMBEDMENT: 2 1/4" INTO CONCRETE, 1 3/8" INTO WOOD

THRESHOLD NOTCHED TO FIT AROUND REM. MULLION CLIP

REMOVABLE MULLION SILL DETAIL

TUBELITE
FORCEFRONT
HURRICANE SERIES
MONUMENTAL DOORS - DRY SET
IN CURTAINWALL FRAME

TUBELITE
DEPENDABLE
LEADERS IN ECO-EFFICIENT STOREFRONT,
CURTAINWALL AND ENTRANCE SYSTEMS

3055 WALKER RIDGE DRIVE N.W.
WALKER, MICHIGAN 49544
PH: 800.866.2227
FX: 616.301.0008
WEB SITE: WWW.TUBELITEINC.COM

REVISION HISTORY:

REV	DATE	DESCRIPTION
0	3.29.11	ORIGINAL RELEASE
A	8.29.11	ADDED REM. MULL.

DATE: 08.29.11

PROJECT NUMBER:
H584-0801-11

DRAWN: LT

FINAL REVIEW: SW

SCALE: N.T.S.

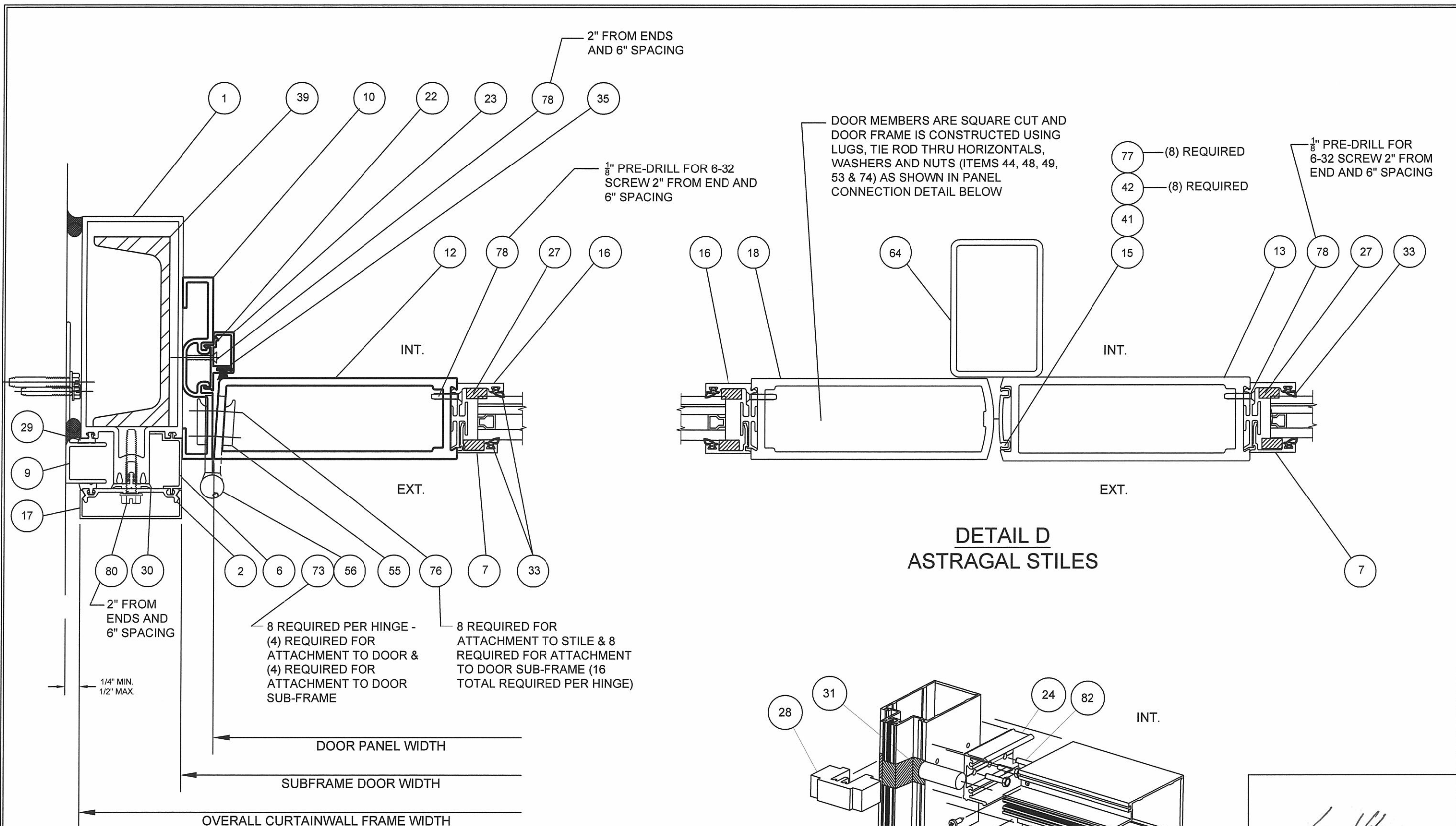
REVISION: A

SHEET NAME:

SECTION
VIEWS

SHEET: 4 OF 7

Scott Wolters
SCOTT WOLTERS
FL PE # 62354
WOLTERS ENGINEERING, INC.
(COA # 27194)
1271 GRANT STREET
HOLLYWOOD, FL 33019
AUG 29 2011



**DETAIL C
JAMB**

**DETAIL D
ASTRAGAL STILES**

CORNER ASSEMBLY DETAIL

FRAME HEAD CORNER: HEAD IS SQUARE CUT, BUTTED TO SIDE, FASTENED WITH FASTENERS, (2) ITEM #81 & (3) ITEM #82 AND THE SCREW SPLINE FASTENER (2) ITEM #79 FASTENS THROUGH THE SIDE MEMBER INTO HEAD MEMBER AND SEALED WITH TREMCO DYMONIC FC SEALANT.

Scott Wolters
SCOTT WOLTERS
 FL PE # 62354
 WOLTERS ENGINEERING, INC.
 (COA # 27194)
 1271 GRANT STREET
 HOLLYWOOD, FL 33019
 AUG 29 2011

TUBELITE
 FORCEFRONT
 HURRICANE SERIES
 MONUMENTAL DOORS - DRY SET
 IN CURTAINWALL FRAME

TUBELITE
 DEPENDABLE
 LEADERS IN ECO-EFFICIENT STOREFRONT,
 CURTAINWALL AND ENTRANCE SYSTEMS

3056 WALKER RIDGE DRIVE N.W.
 WALKER, MICHIGAN 49544
 PH: 800.886.2227
 FX: 616.301.0008
 WEB SITE: WWW.TUBELITEINC.COM

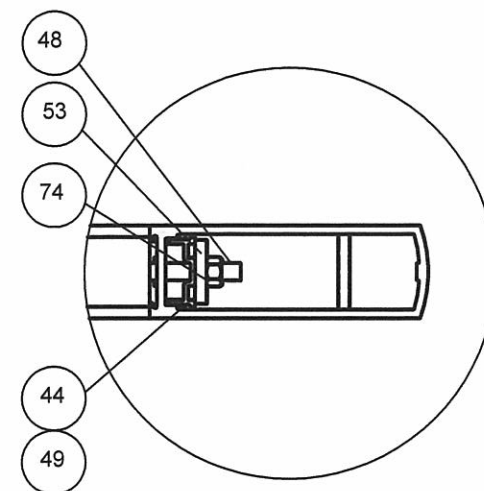
REV	DATE	DRAWN	DESCRIPTION
O	3.29.11	KARHILT	ORIGINAL RELEASE
A	8.29.11	LT	MOVED CORN. ASSY.

DATE: 08.29.11
 PROJECT NUMBER: H584-0801-11
 DRAWN: LT
 FINAL REVIEW: SW
 SCALE: N.T.S.
 REVISION: A

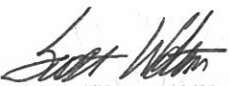
SHEET NAME: SECTION VIEWS
 SHEET: 5 OF 7

BILL OF MATERIALS			
ITEM	PART NUMBER	DESCRIPTION	MATERIAL
1	E55TB02	EXTRUSION, TUBE, NON-THERMAL	ALUMINUM - 6063-T5
2	E4TB63	EXTRUSION, PRESSURE PLATE, 2-1/2 HEAVY	ALUMINUM - 6063-T5
3	P6515	ANCHOR, 'F' CUT & PRE-DRILLED, 5" CUT LENGTH	ALUMINUM - 6063-T5
4	P6514	ANCHOR, 'T' CUT & PRE-DRILLED, 5" CUT LENGTH	ALUMINUM - 6063-T5
5	P6516	ANCHOR, 'U' CUT & PRE-DRILLED, 5" CUT LENGTH	ALUMINUM - 6063-T5
6	E3192	EXTRUSION, FILLER, GLASS POCKET	ALUMINUM - 6063-T5
7	E6503	EXTRUSION, GLAZING STOP (MACH. & INSTALLED)	ALUMINUM - 6063-T5
8	E6504	STOP, INNER 1" X 1" DOOR STOP PRE-DRILLED	ALUMINUM - 6063-T5
9	E3162	EXTRUSION, 'F' PERIMETER ANCHOR	ALUMINUM - 6063-T5
10	E4TB11	EXTRUSION, SUB-FRAME, DOOR, 3/4 X 4-1/2 (MACHINED)	ALUMINUM - 6063-T5
11	E2954	EXTRUSION, RAIL, BOTTOM, OR TOP, 10" (DOOR)	ALUMINUM - 6063-T5
12	E2937	EXTRUSION, STILE, WIDE - HINGE LEFT (DOOR)	ALUMINUM - 6063-T5
13	E1155	EXTRUSION, STILE, WIDE - LOCK LEFT (DOOR)	ALUMINUM - 6063-T5
14	E1051	EXTRUSION, RAIL, BOTTOM OR TOP, 6" (DOOR)	ALUMINUM - 6063-T5
15	E1152	EXTRUSION, ASTRAGAL (DOOR)	ALUMINUM - 6063-T5
16	E6502	EXTRUSION, VERT & HORIZ GLASS STOP (DOOR)	ALUMINUM - 6063-T5
17	E4TB64	EXTRUSION, COVER, FACE, 2-1/2 X 3/4 (DOOR)	ALUMINUM - 6063-T5
18	E2938	EXTRUSION, DOOR STILE (DOOR)	ALUMINUM - 6063-T5
19	E0041	EXTRUSION, SUBFRAME HEAD (DOOR)	-
20	E4011	EXTRUSION, POCKET FILLER (DOOR FRAME)	ALUMINUM - 6063-T5
21	E2298	EXTRUSION, HORIZONTAL DOOR STOP (DOOR)	ALUMINUM - 6063-T5
22	E6500	BASE, STOP, VERT DOOR PRE-DRILLED 102" (FRAME)	ALUMINUM - 6063-T5
23	E6501	COVER, STOP, VERTICAL DOOR 102" (FRAME)	ALUMINUM - 6063-T5
24	PTB60	CLIP, FRAME, SHEAR BLOCK (3 HOLES) (CW)	ALUMINUM - 6063-T5
25	E3826	CLIP, TOP & BOTTOM, REMOVABLE MULLION	-
26	-	TREMCO DYMONIC FC POLYURETHANE HYBRID SEALANT	-
27	-	TREMCO SGT-900 SERIES STRUCTURAL GLAZING TAPE 1/4" X 1/2"	-
28	PTB93	DAM, WATER, SINGLE POCKET	P-PART - FOAM
29	PTB28	GLAZING, FIXED, 3/8 THICK (400CW)	P-PART - RUBBER
30	PTB94	GASKET, THERMAL BARRIER, EPG (PRESSURE PLATE)	P-PART - RUBBER
31	P1094	ROD, ETHAFOAM 3/4" DIA X 2" LONG	P-PART - FOAM
32	P1912	BLOCK, SETTING, 1/2 X 1/2 X 4" LONG	P-PART - RUBBER
33	P0017	GASKET, GLASS, EPG (MONUMENTAL DOOR)	P-PART - RUBBER
34	P6525-0R	THRESHOLD XB896N-0R W/GASKET - NAT'L GUARD PRODUCTS	P-PART - ALUMINUM
35	P1098A	PILE, DOOR STOP, AMESBURY GROUP	P-PART - PLASTIC/FABRIC
36	-	-	-
37	P6505	STEEL, BAR STOCK 1 X 4-1/2 X 135"	P-PART - STEEL
38	P6504	STEEL, BAR STOCK 1-1/4 X 4-1/2 X 135"	P-PART - STEEL
39	P6507	STEEL, CHANNEL C4 - 1.58 X 4 X 135"	P-PART - STEEL
40	P6506	STEEL, TUBE, 1-1/2 X 3 X 1/2 WALL	P-PART - STEEL
41	P1539	SPRING, STEEL, ASTRAGAL, ADJUSTABLE, (DOOR)	P-PART - HARDWARE
42	P1553	WASHER, SCREW & SHOULDER SCREW (DOOR)	P-PART - FASTENER
43	P518	LABEL, DOOR, GREEN BRUSHED SILVER (DOOR)	P-PART - LABEL
44	P1648	LUG FOR TUBE E2954/E2669/DOOR RAIL E1051	P-PART - HARDWARE
45	S908	SCREW, 10-24 X 1/2 FH MACH PHIL (DOOR)	P-PART - FASTENER
46	-	-	-
47	P6533	MS 1881 ADAMS-RITE TWO POINT FLUSH BOLT	P-PART - HARDWARE
48	P020B	ROD, THREADED TIE, 3/8" (DOOR)	P-PART - HARDWARE
49	P908	LUG, DOOR, FOR RAIL E1051 (DOOR)	P-PART - HARDWARE
50	P676	TAB - FOR MORTISED LOCKS (DOOR)	P-PART - HARDWARE
51	P1010	ADAMS RITE 4015 BOLT & BOLT GUIDE, THRESHOLD (DOOR)	P-PART - HARDWARE
52	P6509	ADAMS-RITE 4016-10 HEADER BOLT/GUIDE (DOOR)	P-PART - HARDWARE
53	P853	WASHER, DOOR ROD (DOOR)	P-PART - HARDWARE
54	-	-	-
55	P2092	HINGE, BUTT, REINFORCEMENT (P092) (DOOR)	P-PART - HARDWARE
56	P1558	HINGE, BUTT, MORTISED HD (DOOR)	P-PART - HARDWARE
57	P572	CYLINDER PARTS, P572-C2 (DOOR)	P-PART - HARDWARE
58	P1825	M-SR-SR28 COLLAR, SPLIT RING CYL RYADON (DOOR)	P-PART - HARDWARE
59	P6508	ADAMS-RITE MS1853S-410-000 ADAMS-RITE (DOOR)	P-PART - HARDWARE
60	P059	STANDARD FLUSH BOLT INTERNATIONAL F1203 (DOOR)	P-PART - HARDWARE

ITEM	PART NUMBER	DESCRIPTION	MATERIAL
61	P849	STANDARD FLUSH BOLT GUIDE (DOOR)	P-PART - HARDWARE
62	P1750	HEADER BOLT, ADAM-RITE 4085 (DOOR)	P-PART - HARDWARE
63	P571	CYLINDER, LOCK (DOOR)	P-PART - HARDWARE
64	P6511	REMOVABLE MULLION, VON DUPRIN 111018-4954	-
65	P6510	BF15747 PUSH/PULL BAR SET, 33" ROCKWOOD (DOOR)	P-PART - HARDWARE
66	P2201	CLOSER, DORMA, 8616, SURFACE MOUNT	P-PART - HARDWARE
67	SF7284	ASSEMBLY, FRAME, DOOR, MONUMENTAL	DOOR FRAME ASSEMBLY
68	MW7284L	ASSEMBLY, STILE, WIDE, PAIR LEFT, MONUMENTAL	DOOR ASSEMBLY LEFT
69	MW7284R	ASSEMBLY, STILE, WIDE, PAIR RIGHT, MONUMENTAL	DOOR ASSEMBLY RIGHT
70	P1564	BF156 PULL BAR, ROCKWOOD (DOOR)	P-PART - HARDWARE
71	-	-	-
72	S092	SCREW, 1/4-20 X 1-1/2 FLAT HEAD PHIL	P-PART - FASTENER
73	S070	SCREW, FLAT HEAD, 12-24 X 1/2" (HINGE SCREW)	P-PART - FASTENER
74	S071	NUT, STUD, 3/8-16 X 3/8 (DOOR TIE ROD)	P-PART - FASTENER
75	S186	WASHER, 1/2 OD X 1/2 ID X .062 ALUMINUM (DOOR)	P-PART - FASTENER
76	S161	SCREW, 10-24 X 1/2 FLAT HEAD PHIL (DOOR HINGE)	P-PART - FASTENER
77	S341	SCREW, PHIL HEAD, 10-24 X 3/4 (ASTRAGAL)	P-PART - FASTENER
78	S6504	SCREW, 6-32 X 1 FT HD PHIL, TYPE F (glass stop/dr stop)	P-PART - FASTENER
79	S270	SCREW, 10-24 X 3/4 PAN HEAD PHIL, SS (shear block)	P-PART - FASTENER
80	S359	SCREW, 1/4-20 1-1/2 HEX HD TYPE F (pres plate)	P-PART - FASTENER
81	S191	SCREW, 10-24 X 1/2 TRUSS HEAD PHIL (horiz mull & dr stop)	P-PART - FASTENER
82	S139	SCREW, 1/4-20 X 1/2 HEX HEAD TYPE B (shear blk)	P-PART - FASTENER
83	S6505	SCREW, 1/4-20 X 3/8" HHCS TYPE F THREAD CUTTING (SUB-FR & H STOP)	P-PART - FASTENER
84	S6506	SCREW, 1/4-20 X 1-1/2 FLAT HEAD PHIL (sil-steel/v stop/h stop)	P-PART - FASTENER
85	S155	SCREW, 1/4-20 X 3" FLAT HEAD PHIL (reinforcing steel)	P-PART - FASTENER
86	S055	SCREW, #12 X 3" FLAT HEAD PHIL (threshold into wood)	P-PART - FASTENER
87	S6501	SCREW, 3/8-16 X 2 HEX HD (T, F, U & PEIMETER)	P-PART - FASTENER
88	S0002	SCREW, 3/8 X 2-1/2" LAG GALVINIZED (FOR WOOD SUBSTRATE)	P-PART - FASTENER
89	-	8616 SURFACE MOUNT CLOSER, DORMA	P-PART - HARDWARE
90	P6531	SERIES 300 CONCEALED CLOSER, INTERNATIONAL DOOR CLOSERS, INC.	P-PART - HARDWARE
91	P1077	3020-VO-AL CONCEALED CLOSER ARM, INTERNATIONAL	P-PART - HARDWARE
92	-	SCREW, 5/16 ITW TAPCON (Removable Mull installation)	P-PART - FASTENER
93	-	SCREW, 5/16 WOOD LAG SCREW GRADE 5 (Removable Mull installation)	P-PART - FASTENER
94	-	SCREW, 1/4 ITW TAPCON (Removable Mull installation)	P-PART - FASTENER
96	-	-	-
97	-	-	-
98	-	-	-
99	-	-	-
100	-	-	-



PANEL CONNECTION DETAIL


 SCOTT WOLTERS
 FL PE # 62354
 WOLTERS ENGINEERING, INC.
 (COA # 27194)
 1271 GRANT STREET
 HOLLYWOOD, FL 33019
 AUG 29 2011

TUBELITE
 FORCEFRONT
 HURRICANE SERIES
 MONUMENTAL DOORS - DRY SET
 IN CURTAINWALL FRAME

3055 WALKER RIDGE DRIVE N.W.
 WALKER, MICHIGAN 49544
 PH: 300.866.2227
 FX: 616.301.0008
 WEB SITE: WWW.TUBELITEINC.COM

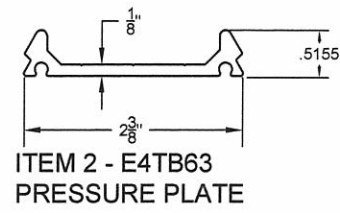
TUBELITE
 DEPENDABLE
 LEADERS IN ECO-EFFICIENT STOREFRONT,
 CURTAINWALL AND ENTRANCE SYSTEMS

REVISION HISTORY:

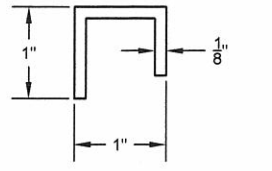
REV	DATE	DRAWN	DESCRIPTION
0	3.29.11	KARHILL	ORIGINAL RELEASE
1	8.29.11	LT	CHANGED PART #S

DATE: 08.29.11
 PROJECT NUMBER: H584-0801-11
 DRAWN: LT
 FINAL REVIEW: SW
 SCALE: N.T.S.
 REVISION: A

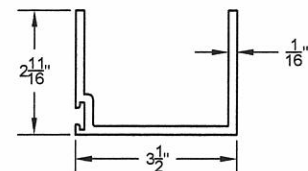
SHEET NAME:
BILL OF MATERIALS



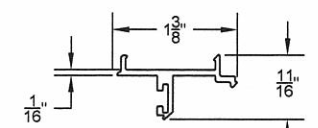
ITEM 2 - E4TB63
PRESSURE PLATE



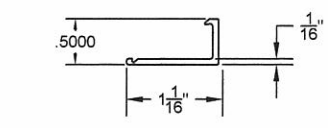
ITEM 8 - E6504
CHANNEL, 1" X 1"
HORIZ. DOOR STOP



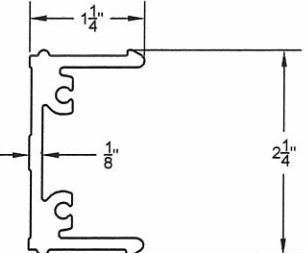
ITEM 21 - E2298
HORIZ. DOOR STOP



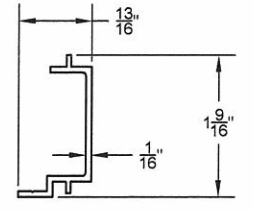
ITEM 22 - E6500 STOP,
VERTICAL DOOR - INNER



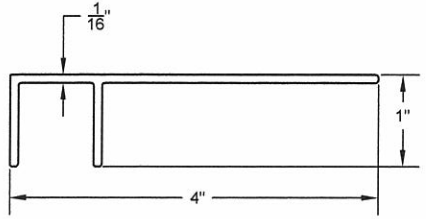
ITEM 23 - E6501 STOP,
VERTICAL DOOR - OUTER



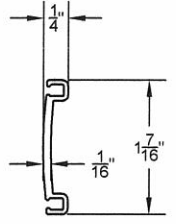
ITEM 24 - PTB60 SHEAR
BLOCK CLIP



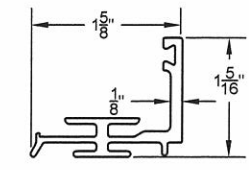
ITEM 6 - E3192 GLAZING
POCKET CLOSURE



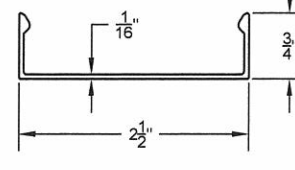
ITEM 9 - E3162
F PERIMETER ANCHOR



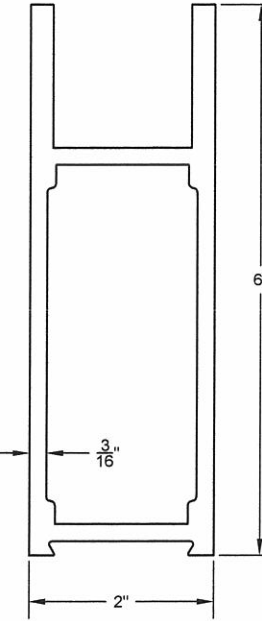
ITEM 15 - E1152
ASTRAGAL



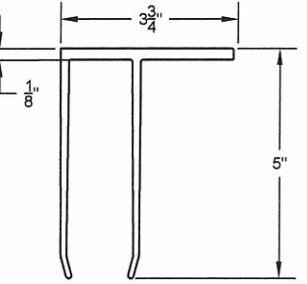
ITEM 16 - E6502
GLASS STOP



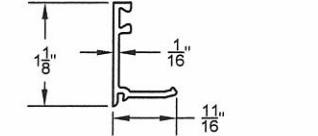
ITEM 17 - E4TB64
COVER, FACE
2-1/2 X 3/4



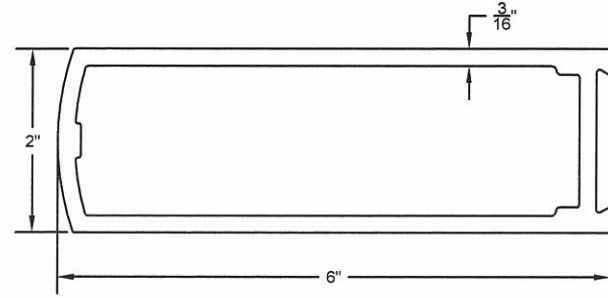
ITEM 14 - E1051
RAIL, BOTTOM OR
TOP - 6"



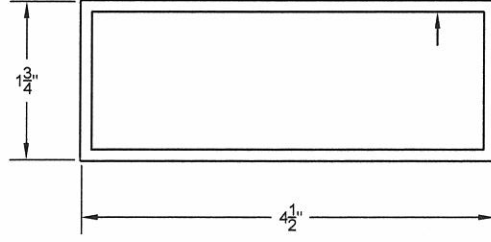
ITEM 3 - P6515 F
ANCHOR



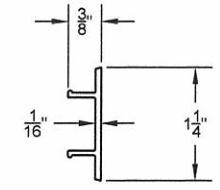
ITEM 7 - E6503 GLAZING
STOP STANDARD



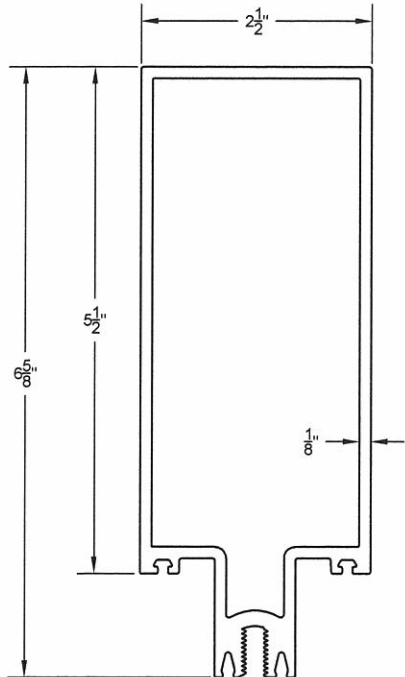
ITEM 18 - E2938
RD FACE STILE



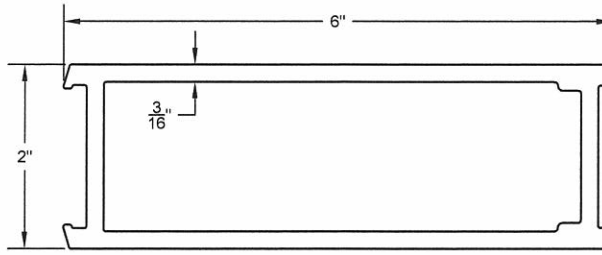
ITEM 19 - E0041
SUBFRAME HEAD



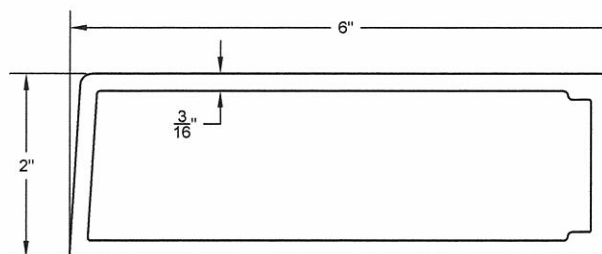
ITEM 20 - E4011 FILLER,
POCKET, SNAP IN



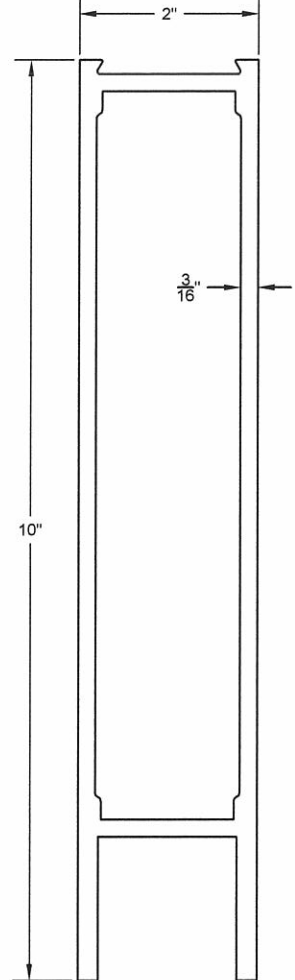
ITEM 1 - E55TB02
CURTAINWALL TUBE



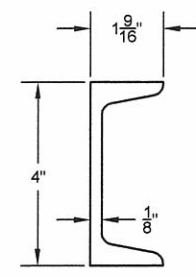
ITEM 13 - E1155
WIDE STILE - LOCK W/ASTRAGAL



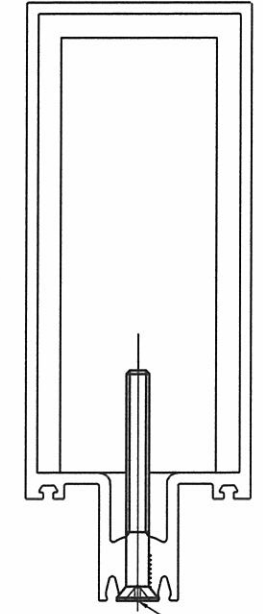
ITEM 12 - E2937
WIDE STILE - HINGE



ITEM 11 - E2954
BOTTOM RAIL



ITEM 39 P6507
C4 X 5.4 CHANNEL



ATTACH REINFORCING STEEL
WITH FASTENER, ITEM 85

NOTE: STEEL IS 6" FROM TOP AND
BOTTOM OF MULLION, FIRST FASTENER
IS 8" FROM ENDS OF MULLION & 6" O/C.
STEEL LOCATED IN JAMBS ONLY, NO
REINFORCEMENT REQ'D AT HEAD.

**REINFORCING
STEEL DETAILS**

Scott Wolters
SCOTT WOLTERS
FL PE # 62354
WOLTERS ENGINEERING, INC.
(COA # 27194)
1271 GRANT STREET
HOLLYWOOD, FL 33019
AUG 29 2011

EXTRUSION PROFILES: MONUMENTAL DOOR IN CURTAINWALL FRAME

TUBELITE
FORCEFRONT
HURRICANE SERIES
MONUMENTAL DOORS - DRY SET
IN CURTAINWALL FRAME

3056 WALKER RIDGE DRIVE N.W.
WALKER, MICHIGAN 49544
PH: 800.866.2227
FX: 616.301.0008
WEB SITE: WWW.TUBELITEINC.COM

TUBELITE
DEPENDABLE
LEADERS IN ECO-EFFICIENT STOREFRONT,
CURTAINWALL AND ENTRANCE SYSTEMS

REVISION HISTORY:

REV	DATE	DESCRIPTION
O	3.29.11	ORIGINAL RELEASE
A	8.29.11	ADDED ITEM 19

DATE: 08.29.11
PROJECT NUMBER:
H584-0801-11
DRAWN: LT
FINAL REVIEW: SW
SCALE: N.T.S.
REVISION: A

SHEET NAME:
EXTRUSION
PROFILES AND
REINF. DETAILS

SHEET: 7 OF 7