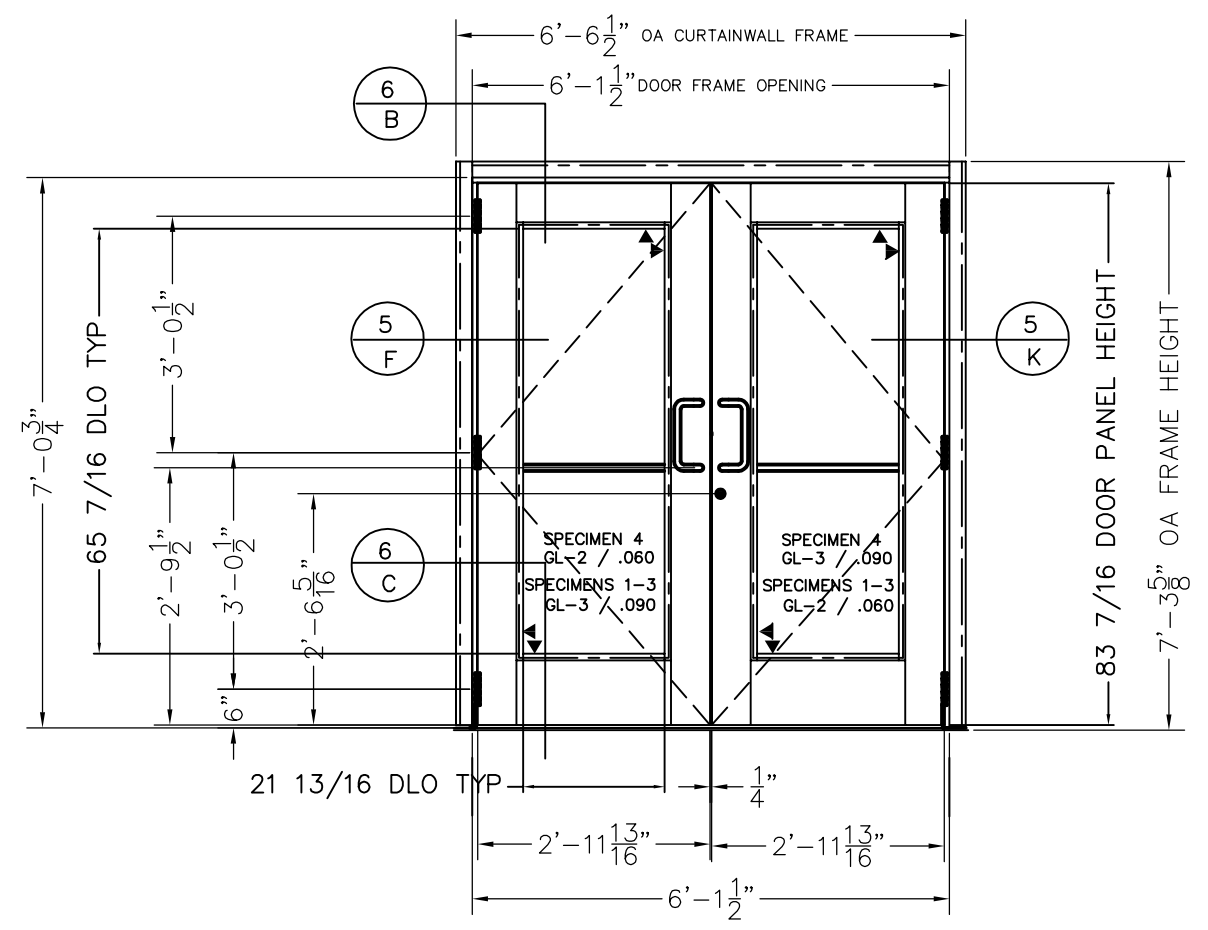


HINGE REQUIREMENTS:	
DOOR HEIGHT	# HINGES REQD
6' X 7'	(3)

ALLOWABLE DESIGN PRESSURE	
(*) POSITIVE (PSF)	NEGATIVE (PSF)
100	100

NOTE: DOORS ARE TO BE FULLY GLAZED AS SHOWN.



EXTERIOR ELEVATION – MONUMENTAL DOUBLE OPERABLE 6-0 x 7-0 DOOR AND 400 SERIES CURTAIN WALL ASSEMBLY SPECIMENS 1, 2, 3, AND 4

- GENERAL NOTES:**
1. THESE DOOR AND CURTAINWALL SYSTEMS HAVE BEEN TESTED, ANALYZED AND APPROVED FOR DESIGN PRESSURES NOT TO EXCEED THOSE SHOWN IN THE "ALLOWABLE DESIGN LOADS" TABLE
 2. BUCKING, OPENINGS & BUCKING FASTENERS MUST BE PROPERLY DESIGN & INSTALLED TO TRANSFER WIND LOADS TO THE STRUCTURE.
 3. ALL HARDWARE & FASTENERS SHALL BE IN ACCORDANCE WITH THESE DRAWINGS & MAY NOT VARY UNLESS SPECIFICALLY MENTIONED ON THE DRAWINGS.
 4. THE DETAILS & SPECIFICATIONS SHOWN HEREIN REPRESENT THE PRODUCTS TESTED & PROPOSED FOR AIR, WATER, IMPACT, CYCLIC & UNIFORM STATIC AIR PRESSURE TESTING IN CONFORMANCE WITH FLORIDA BUILDING CODE PROTOCOLS TAS-201, 202 & 203 FOR LARGE MISSILE IMPACT DOORS.
 5. THESE DOORS SYSTEMS HAVE BEEN DESIGNED IN ACCORDANCE WITH THE FLORIDA BUILDING CODE (FBC) FOR HIGH VELOCITY HURRICANE ZONES (HVHZ).
 6. IMPACT SHUTTERS ARE NOT REQUIRED WITH THESE DOORS.
 7. ALL ANCHORS SHALL BE INSTALLED AS SPECIFIED ON THESE DRAWINGS. SPECIFIED EMBEDMENT TO BASE MATERIAL SHALL BE BEYOND WALL FINISH OR STUCCO.

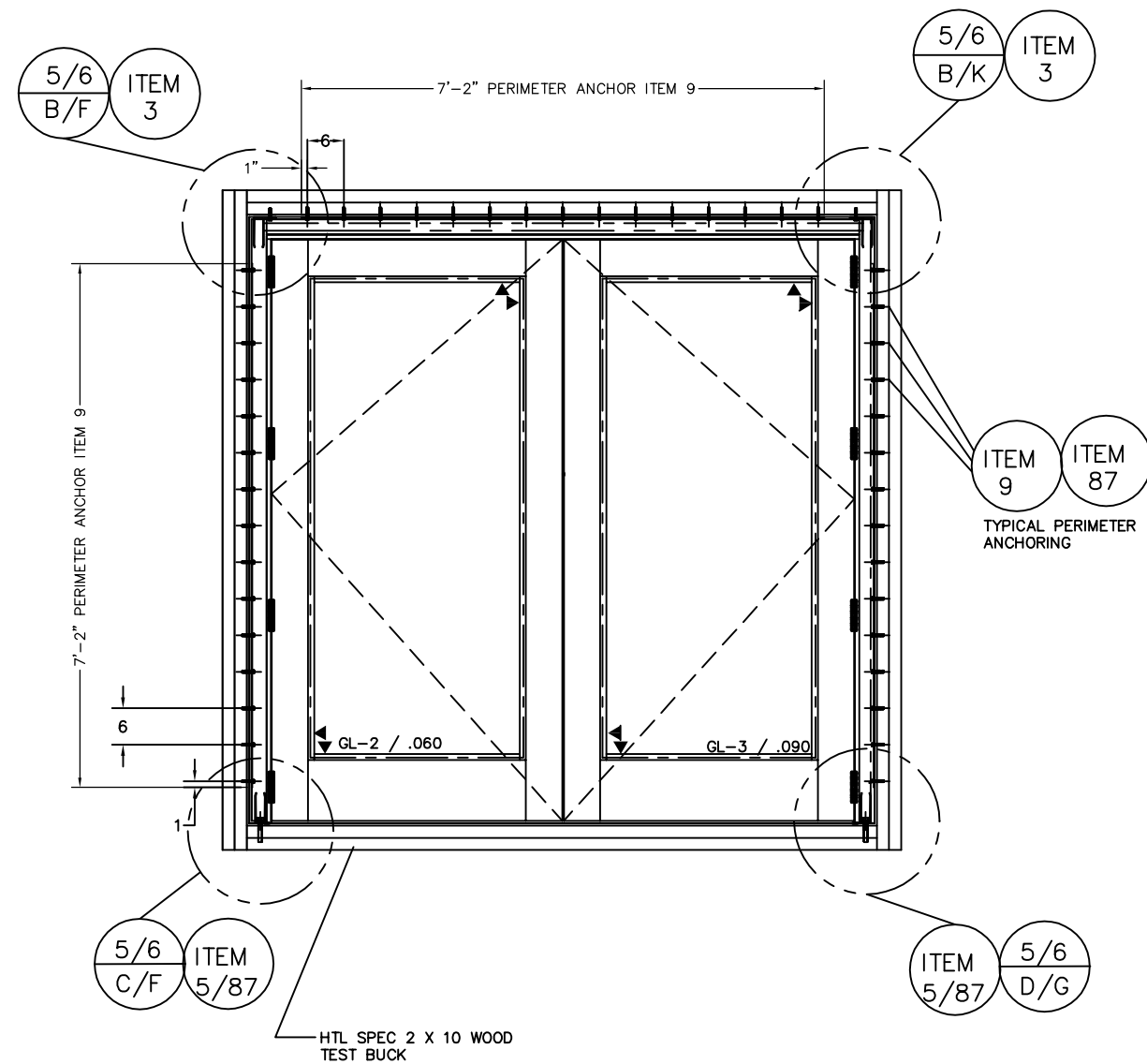
GLASS SPECS	FRAME ANCHOR REQUIREMENTS TABLE			
GL-2/(1.060 IG) 3/4" FT - 3/8" AIRSPACE - 3/16" HS - 60 MIL DUPONT SENTRYGLAS - INTERLAYER: 3/16" HS	OPENING TYPE (SUBSTRATE)	JAMB TO OPENING FASTENER TYPE (ANCHOR)	MIN EMBED	MIN EDGE DIST
GL-3/(1.090 IG) 3/4" FT - 3/8" AIRSPACE - 3/16" HS - 90 MIL DUPONT SENTRYGLAS - INTERLAYER: 3/16" HS	CHANNEL STEEL FRAME OR BUCK	ITEM NUMBER NA	1-1/4"	3/4"
FT = FULLY TEMPERED HS = HEAT STRENGTHENED STANDARD 3.8" ALUMINUM BOX SPACER: STRUCTURAL LOW VOLUME, SECONDARY SEAL: SILICONE 'DOW 982'	MIN 0.1875" THICK 6063-T5 400 ALUMINUM CURTAIN WALL	ITEM NUMBER 1	FULL	1/2"
GL-2 / .060 EXACT GLASS SIZE: 22-7/8" X 66-1/4" X 1-1/32" (I.G.) DOORLITE ▲ 1/4" CORNER POINT BLOCKING	-	-	-	-
GL-1 / .035 EXACT GLASS SIZE: 22-7/8" X 66-1/4" X 1-1/16" (I.G.) DOORLITE ▲ 1/4" CORNER POINT BLOCKING	-	-	-	-
(1) CONCRETE SCREWS SHALL BE ELCO OR ITW RAMSET/RED HEAD TAPCONS OR HILTI KWIK-CON II (HARDENED STEEL OR SS) (2) WEDGE ANCHORS SHALL BE ITW RAMSET/RED HEAD DYNABOLTS OR HILTI KWIK-BOLT II (STEEL OR SS) (3) CMU IS ONLY APPLICABLE AT THE SIDES OF THE DOOR OPENING. CONCRETE WILL APPLY TO ALL SIDES.				

TUBELITE®
 DEPENDABLE
 LEADERS IN ECO-EFFICIENT STOREFRONT, CURTAINWALL AND ENTRANCE SYSTEMS
 3056 WALKER RIDGE DRIVE N.W.
 WALKER, MICHIGAN 49544
 PH: 800.866.2227
 FX: 616.301.0008
 WEB SITE: WWW.TUBELITEINC.COM

NO.	DATED	BY	DESCRIPTION

DATED
 MARCH 23, 2011
 DRAWINGS BY: JOHN CAMPBELL
 ENGINEERED BY: JERRY SCHOEB
 TEST ELEVATION
 1.0
 1 OF 6

TUBELITE
 FORCEFRONT
 HURRICANE SERIES
 400 SERIES CURTAINWALL &
 MONUMENTAL DOORS - DRY SET
 6' X 7'



EXTERIOR ELEVATION – MONUMENTAL
DOUBLE DOOR IN 400 CURTAINWALL

ANCHOR	FASTENER AND QUANTITY
ITEM 3 5" LG	ITEM 87 FASTENER (3) REQUIRED PER ANCHOR
ITEM 5 5" LG	ITEM 87 FASTENER (3) REQUIRED PER ANCHOR
ITEM 9 7'2" LG	ITEM 87 FASTENER (15) REQUIRED PER ANCHOR

FRAME ANCHOR REQUIREMENTS TABLE			
OPENING TYPE (SUBSTRATE)	JAMB TO OPENING FASTENER TYPE (ANCHOR)	MIN EMBED	MIN EDGE DIST
CHANNEL STEEL FRAME OR BUCK	ITEM NUMBER NA	1-1/4"	3/4"
MIN 0.1875" THICK 6063-T5 400 ALUMINUM CURTAIN WALL	ITEM NUMBER 1	FULL	1/2"
-	-	-	-
-	-	-	-
-	-	-	2"

(1) CONCRETE SCREWS SHALL BE ELCO OR ITW RAMSET/RED HEAD TAPCONS OR HILTI KWIK-CON II (HARDENED STEEL OR SS)
(2) WEDGE ANCHORS SHALL BE ITW RAMSET/RED HEAD DYNABOLTS OR HILTI KWIK-BOLT II (STEEL OR SS)
(3) CMU IS ONLY APPLICABLE AT THE SIDES OF THE DOOR OPENING. CONCRETE WILL APPLY TO ALL SIDES.

TUBELITE®
DEPENDABLE

LEADERS IN ECO-EFFICIENT STOREFRONT,
CURTAINWALL AND ENTRANCE SYSTEMS

3056 WALKER RIDGE DRIVE N.W.
WALKER, MICHIGAN 49544
PH: 800.866.2227
FX: 616.301.0008
WEB SITE: WWW.TUBELITEINC.COM

NO.	DATED	BY	DESCRIPTION

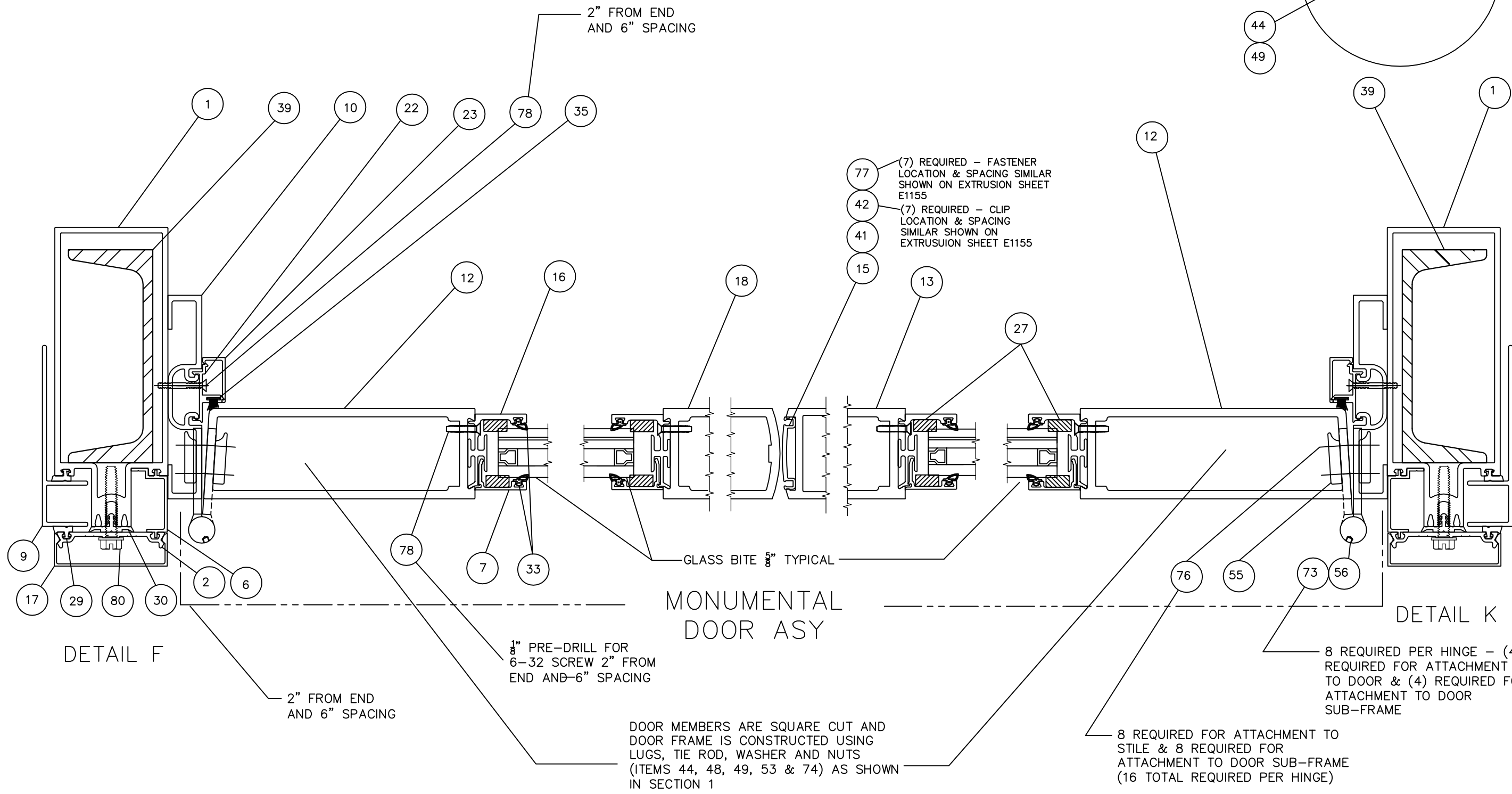
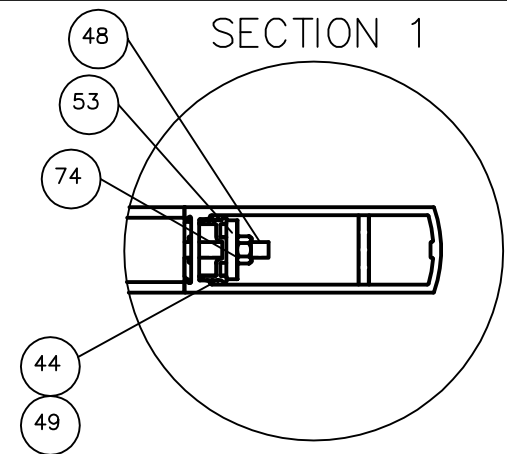
DATED
MARCH 23, 2011
DRAWINGS BY: JOHN CAMPBELL
ENGINEERED BY: JERRY SCHOEB
TEST ELEVATION

2.0

2 OF 6

400 CURTAIN WALL CORNER & FRAME END CONSTRUCTION

FRAME HEAD CORNER: HEAD IS SQUARE CUT, BUTTED TO SIDE, FASTENED WITH FASTENERS, (2) ITEM #81 & (3) ITEM # 82 AND THE SCREW SPLINE FASTENERS (2) ITEM #79 FASTENS THROUGH THE SIDE MEMBER INTO HEAD MEMBER AND SEALED WITH TREMCO DYMONIC FC SEALANT.



TUBELITE
FORCEFRONT
HURRICANE SERIES
 400 SERIES CURTAINWALL &
 MONUMENTAL DOORS - DRY SET
 8' x 8'

TUBELITE
 DEPENDABLE
 LEADERS IN ECO-EFFICIENT STOREFRONT,
 CURTAINWALL AND ENTRANCE SYSTEMS
 3056 WALKER RIDGE DRIVE N.W.
 WALKER, MICHIGAN 49544
 PH: 800.866.2227
 FX: 616.301.0008
 WEB SITE: WWW.TUBELITEINC.COM

REVISIONS	
NO.	DATED BY DESCRIPTION

DATED
 MARCH 23, 2011
 DRAWINGS BY: JOHN CAMPBELL
 ENGINEERED BY: JERRY SCHOEB

VERTICAL DETAILS
 5.0
 5 OF 6

