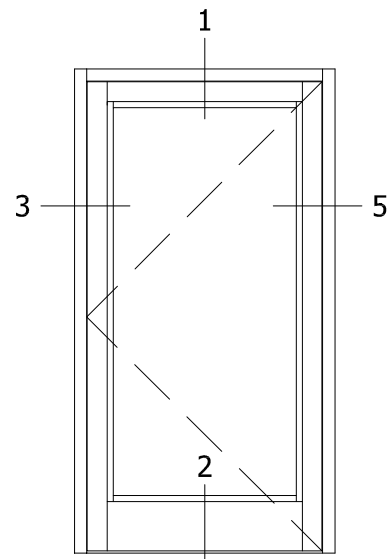
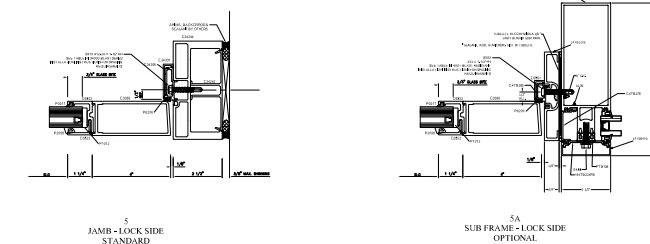
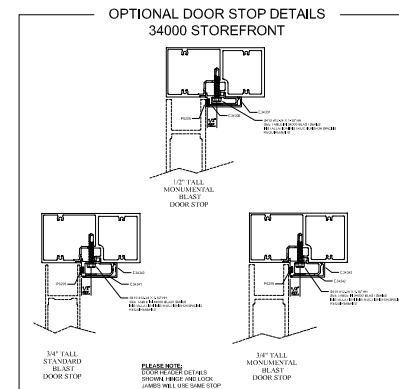
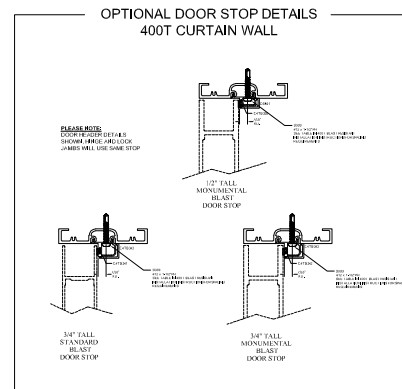
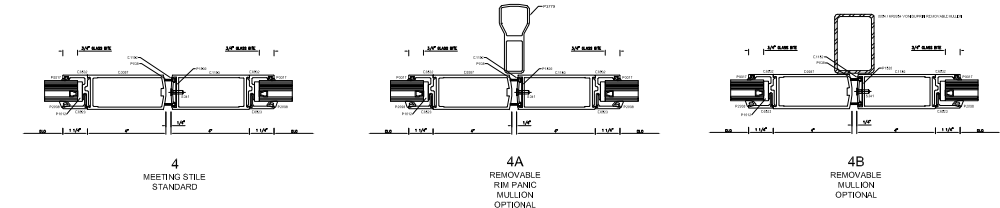
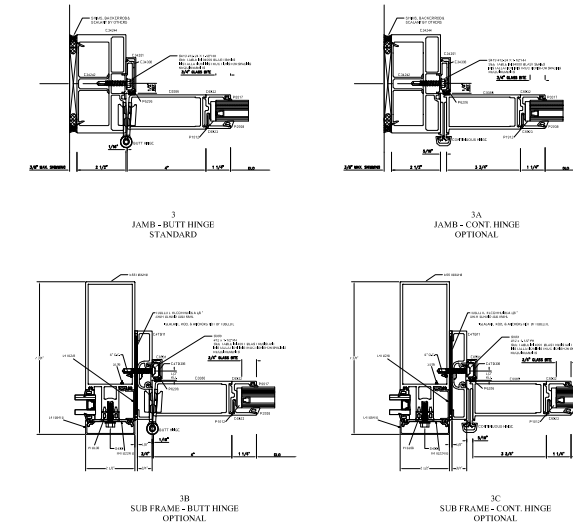
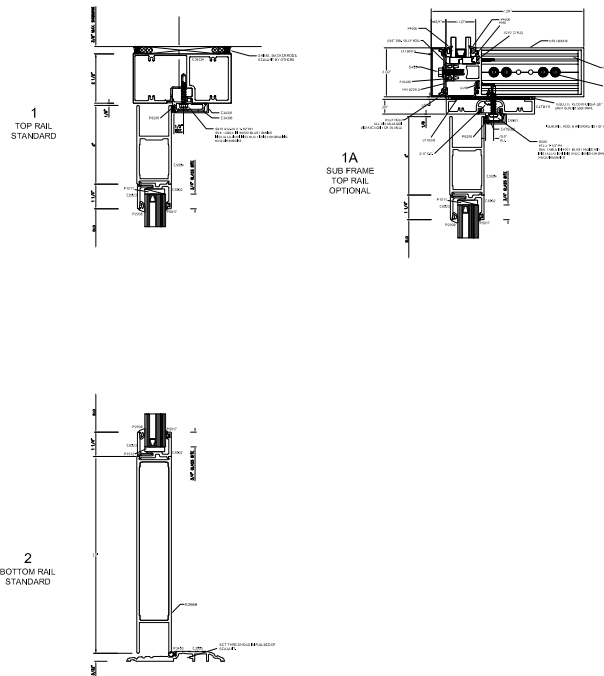


TYPICAL ELEVATION

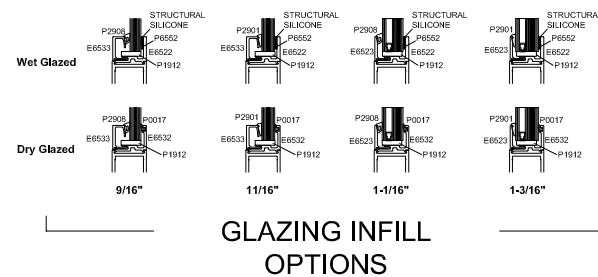


TYPICAL ELEVATION



**FORCEFRONT BLAST
STANDARD MEDIUM STILE DOORS**
BLAST DOORS CAN BE INSERTED INTO 400T BLAST OR 34000 BLAST FRAMING SYSTEMS.
REFER TO SYSTEM PERIMETER SHEETS FOR FRAMING

ENGINEER OR PROJECT ENGINEER OF RECORD
MUST BE CONSULTED FOR DOOR SIZING,
HARDWARE AND CONFIGURATION OPTIONS USING
THE DOOR STILE AND RAIL OPTIONS SHOWN



TUBELITE®
DEPENDABLE
LEADERS IN ECO-EFFICIENT STOREFRONT,
CURTAINWALL AND ENTRANCE SYSTEMS
Last Revised: 4/5/2021