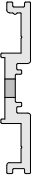



TABLE OF CONTENTS



PARTS LIST.....	2
SUN SHADE BRACKET ASSEMBLY INSTALLATION.....	3 - 9
Vertical Mullion Preparation.....	3
Sun Shade Anchor / Sun Shade Bracket Assembly Installation.....	4 - 8
Sun Shade Outrigger Connection to Sun Shade Bracket.....	9

SUN SHADE ANCHOR BRACKET AND SHADE SUN BRACKET PROFILE TO BE DETERMINED BY PROJECT ENGINEER BASED ON WIND LOADS, SNOW / ICE LOADS, SUN SHADE DEPTH AND SPANS BETWEEN VERTICAL MULLION ANCHOR POINTS AND ALL OTHER FACTORS THAT WILL AFFECT THE PERFORMANCE OF THE ATTACHMENT TO THE WINDOW WALL.

ACCESSORIES - EXTRUSIONS

SHAPE	DESCRIPTION	PART NUMBER	PACKAGE QUANTITY
	Sun Shade Bracket Anchor	P6990	1 per package
	Sun Shade Bracket	P6991	1 per package

ACCESSORIES - GASKETS / SCREWS / MISCELLANEOUS

	Dense EPDM Thermal Separator Sun Shade Bracket	P6992	(1) per package
	3/8-16 x 1-1/4" Stainless Steel 18-8 Hex Nut Sun Shade Bracket Attachment	S300SSG	100 per Package
	3/8-16 x 5/8" Stainless Steel 18-8 Hex Nut	S301SSG	100 per Package
	1" OD x 0.375" ID x .0625" Flat Washer	S302SSG	100 per Package
	0.75" OD x 0.375" ID x 0.09" Lock Washer	S464SSG	100 per Package
	3/8-16 x 2" Stainless Steel 18-8 HEX HD Bolt Sun Shade Blade Attachment	S6501SSG	100 per Package

VERTICAL MULLION PREP

Step 1: Identify vertical mullion E9081 that is to receive sun shade bracket assembly.

Step 2: If sun shade bracket assembly is to be installed at end jambs, then A9034084 must also be machined as shown below in Fig. 1.

Step 3: Locate center line of sun shade bracket assemblies on vertical mullions.

Step 4: Mill / remove portion of vertical mullions shown in Fig. 2.

Step 5: Clean mullion mill areas of oils and aluminum chips.

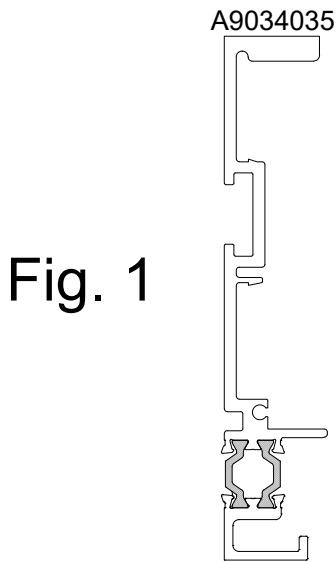


Fig. 1

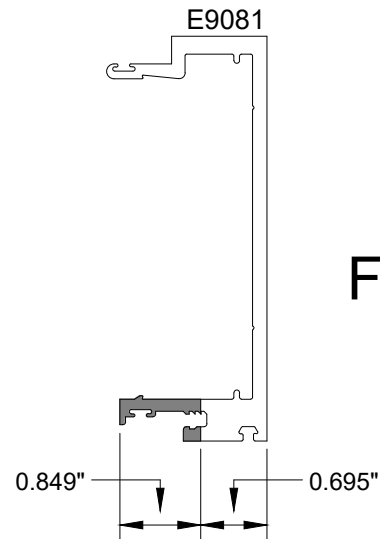
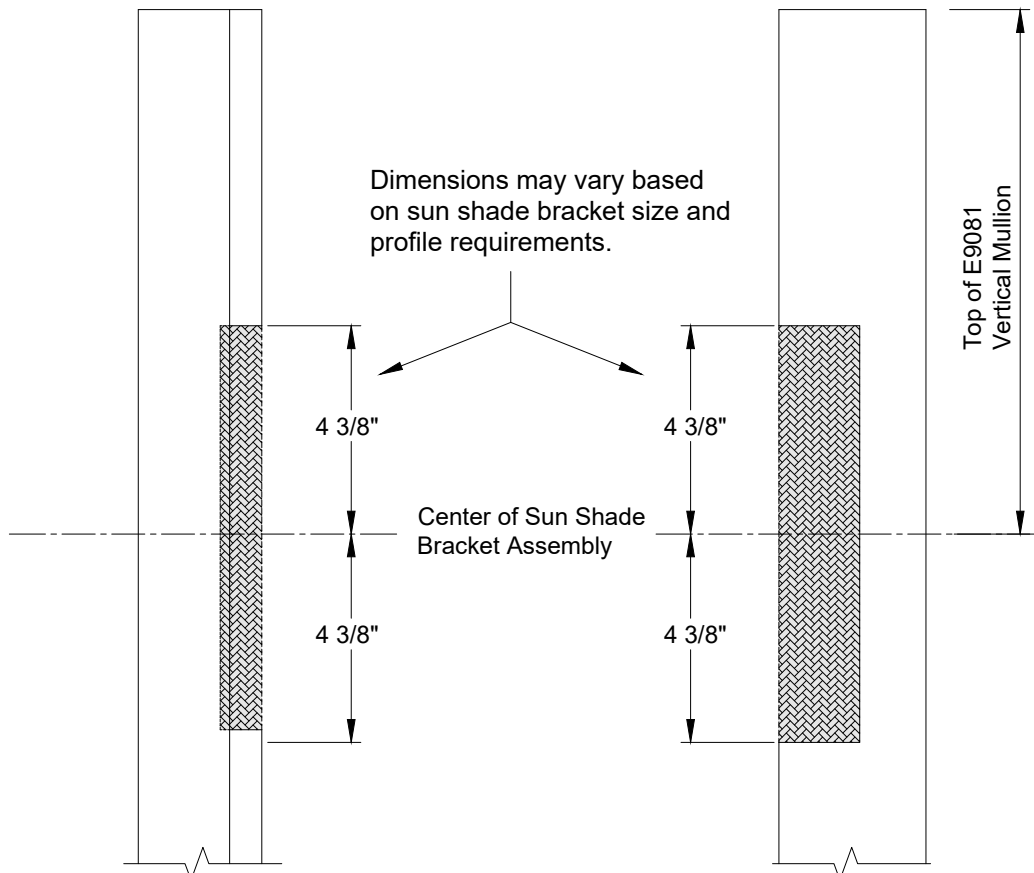


Fig. 2



SUN SHADE BRACKET ASSEMBLY INSTALLATION

- Step 1: Install fastener S300SSG into sun shade anchoring bracket P6990.**
- Step 2: Slide sun shade anchoring bracket P6990 into proper location on vertical mullion E9081.**
- Step 3: Using sharp / blunt tool "peen" top and bottom of receiver nob on E9081 to hold sun shade bracket anchor P6990 in place. See Fig. 1.**
- Step 4: Slide thermal separator P6992 over fasteners...tight to P6990 sun shade anchor bracket. See Fig. 2.**

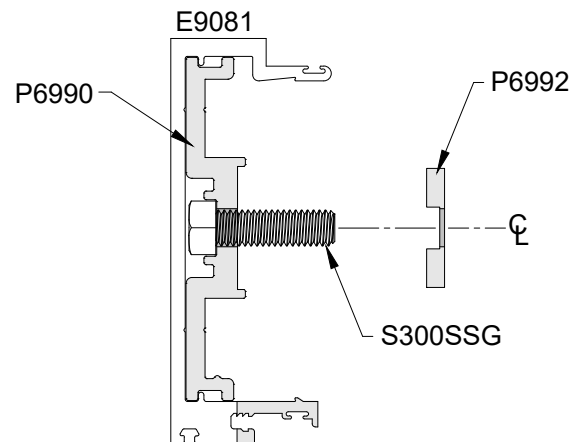
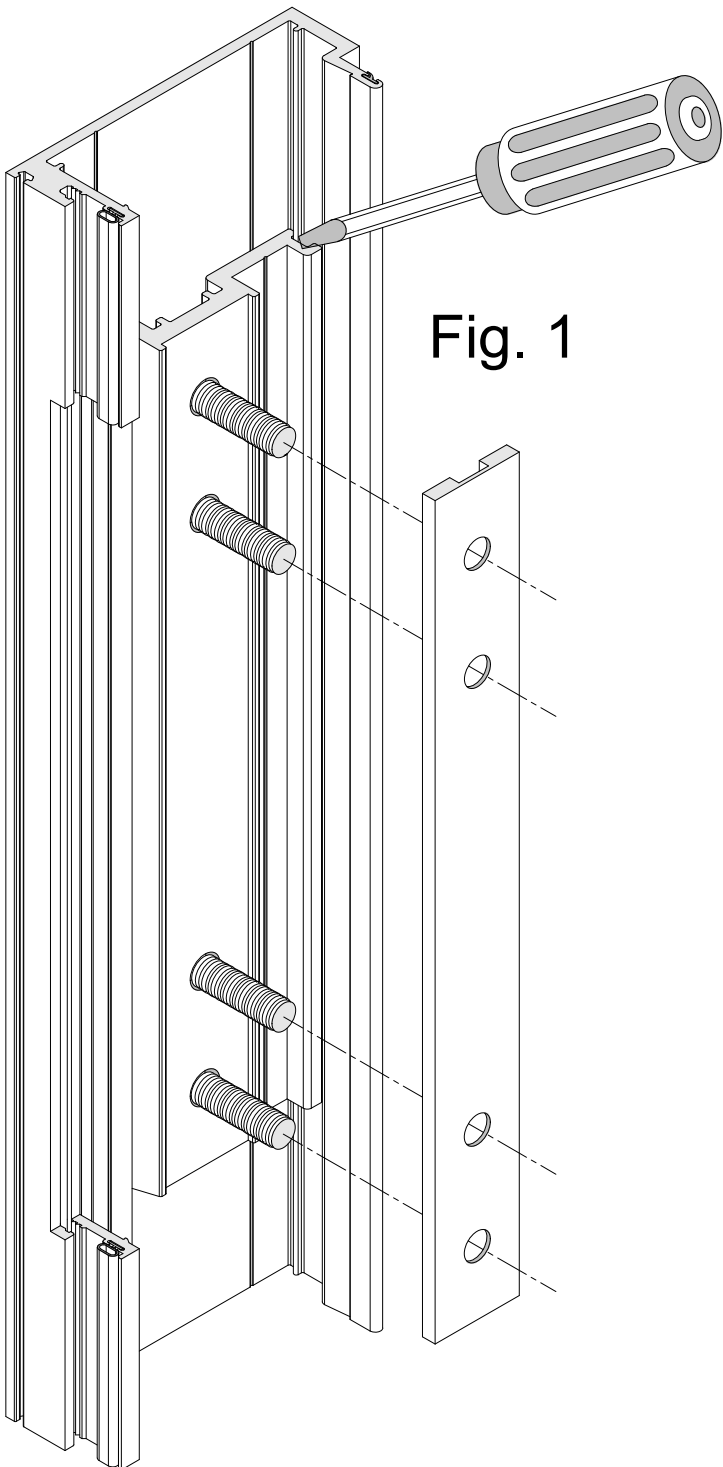


Fig. 2

SUN SHADE BRACKET ASSEMBLY INSTALLATION

Use these installation instructions if the sun shade bracket anchor falls within a horizontal and assembly fasteners can be used to hold bracket in place.

- Step 1: Align and match drill sun shade bracket anchor to assembly fastener hole location.**
- Step 2: Install fastener S300SSG into sun shade anchoring bracket P6990.**
- Step 3: Slide sun shade anchoring bracket P6990 into proper location on vertical mullion E9081.**
- Step 4: Assemble window frame attaching horizontal to vertical mullion using S403SSG through sun shade bracket anchor into frame horizontal. See Fig. 1.**
- Step 5: Slide thermal separator P6992 over fasteners...tight to P6990 sun shade anchor bracket. See Fig. 2.**

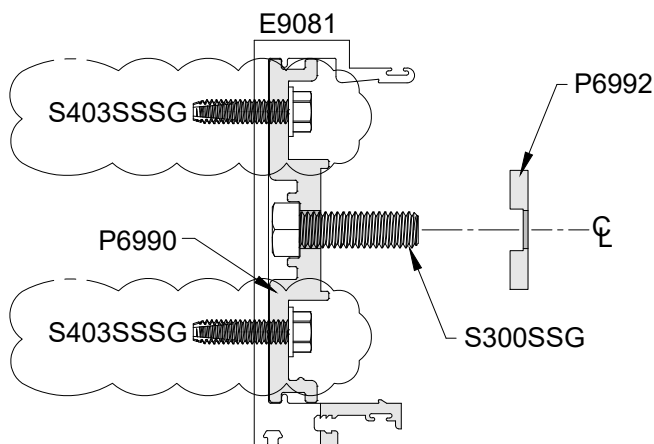


Fig. 1

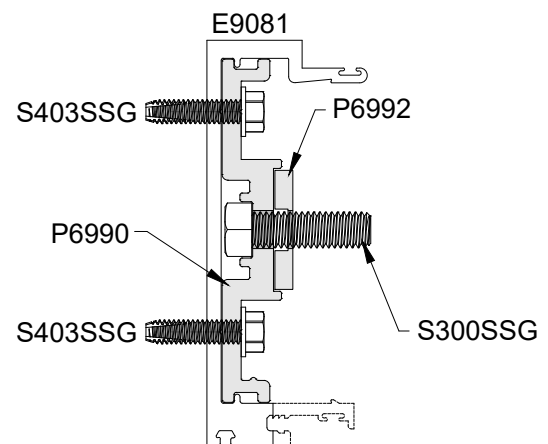


Fig. 2

**SUN SHADE BRACKET
ASSEMBLY INSTALLATION**

**INSTALL and GLAZE GLASS ONTO
ASSEMBLED WINDOW FRAMES as
OUTLINED IN INSTALLATION
MANUAL.**

SUN SHADE BRACKET ASSEMBLY INSTALLATION

- Step 1:** Using Isopropyl 70/30 mixture two towel wipe process clean all surfaces of milled / coped area.
- Step 2:** Place sealant at top and bottom of milled / cope. See Fig. 1.
- Step 3:** Place continuous bead of silicone sealant up vertical filling pocket in vertical mullion. See Fig. 2.
- Step 4:** Install sun shade bracket P6991 into position ...prior to sealant set up...and secure with washer, lock washer and nut assembly. See Fig. 3.

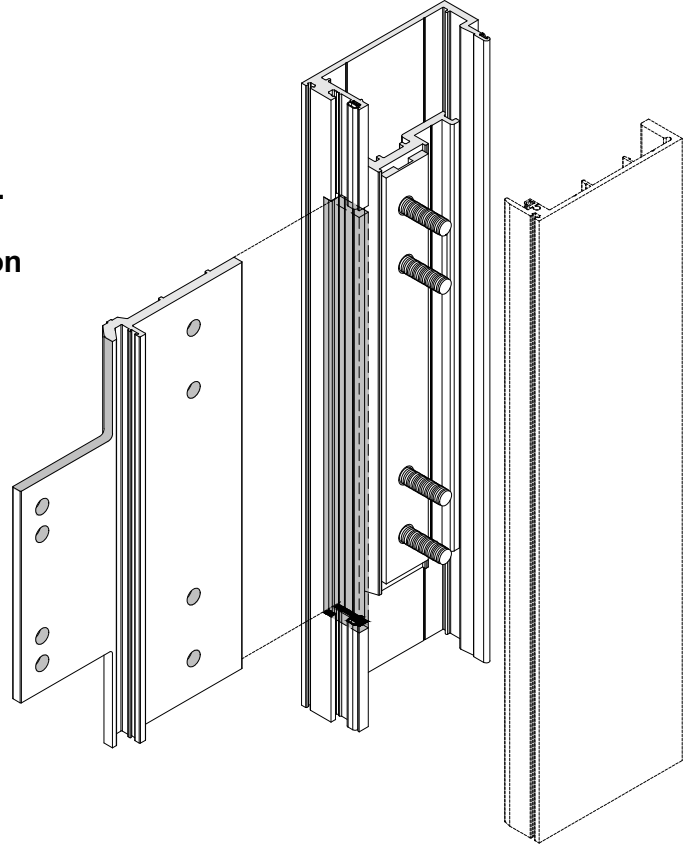
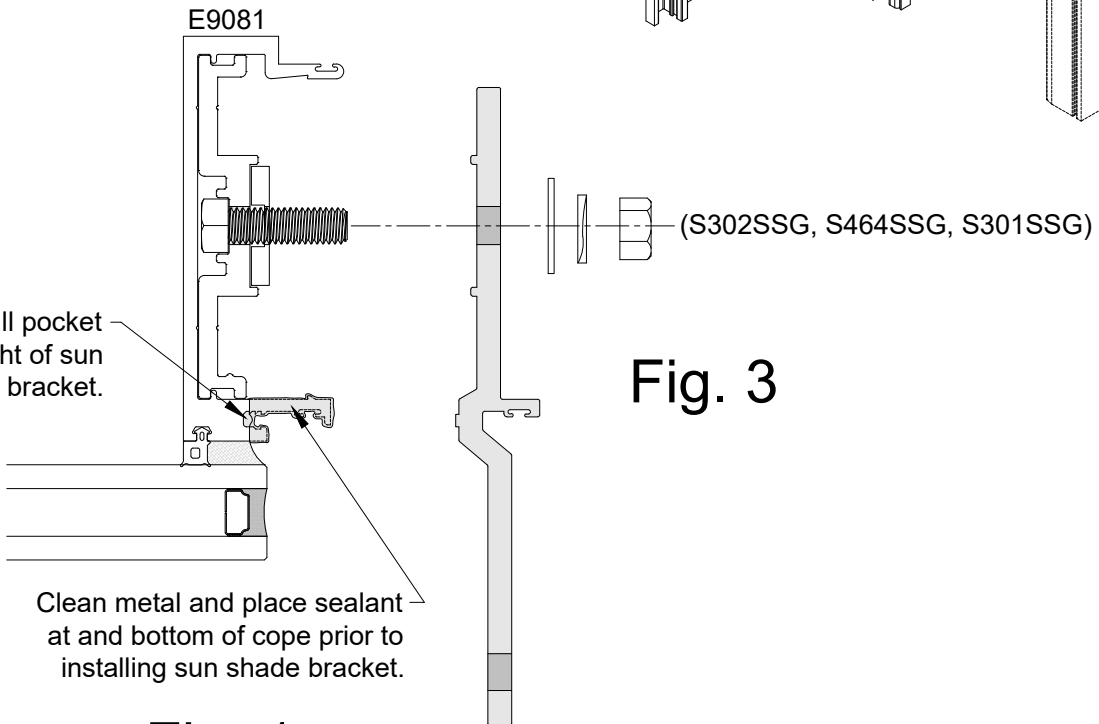


Fig. 2

Clean metal and fill pocket with sealant height of sun shade bracket.



Clean metal and place sealant at top and bottom of cope prior to installing sun shade bracket.

Fig. 1

Fig. 3

SUN SHADE BRACKET ASSEMBLY INSTALLATION

- Step 1: Install bulb gasket P9004 in vertical mullion...including through sun shade bracket to create continuous gasket the full length of mullion E9081. See Fig. 1**
- Step 2: Using Isopropyl 70/30 mixture two towel wipe process clean all surfaces between sun shade bracket and vertical mullion.**
- Step 3: Surface seal all areas around sun shade bracket and vertical mullion. See Fig. 2.**

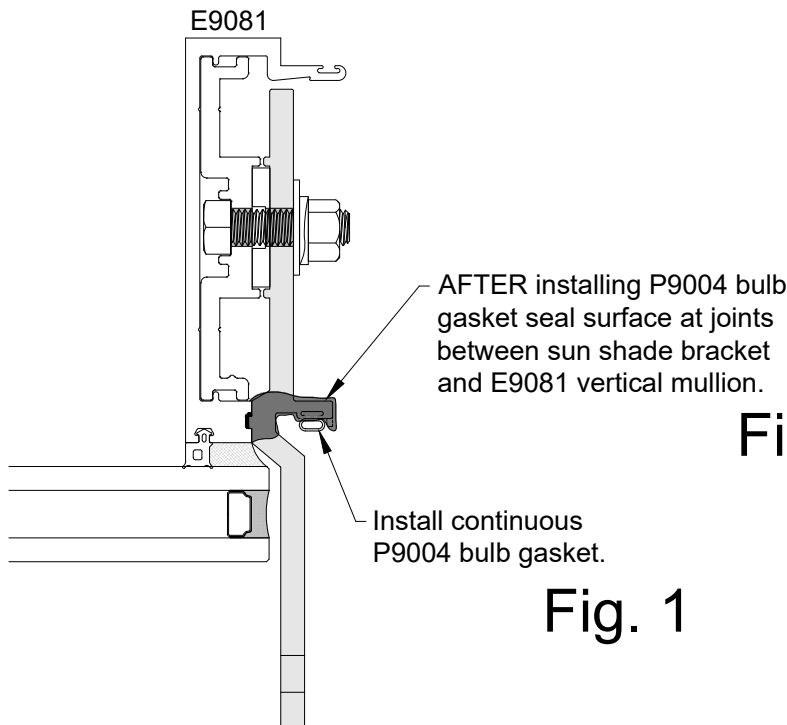


Fig. 1

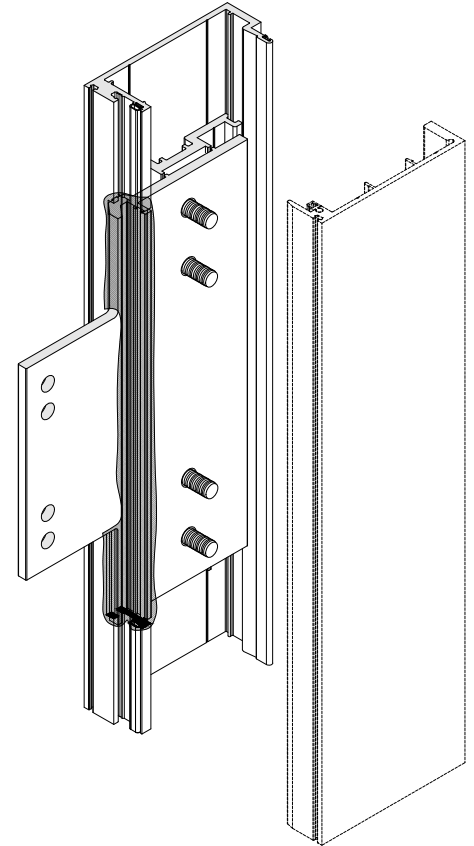


Fig. 2

SUN SHADE OUTRIGGER / BLADE INSTALLATION

Once window assembly has been installed installation of sun shade outrigger connection to sun shade bracket can be completed.

