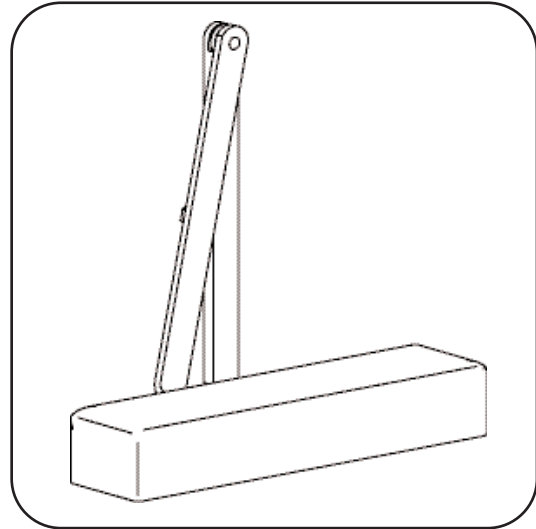
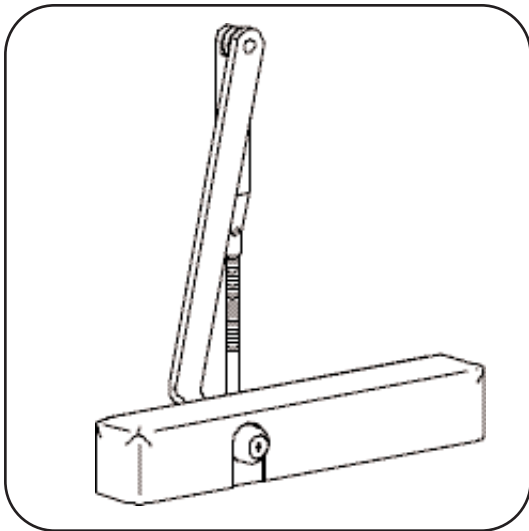


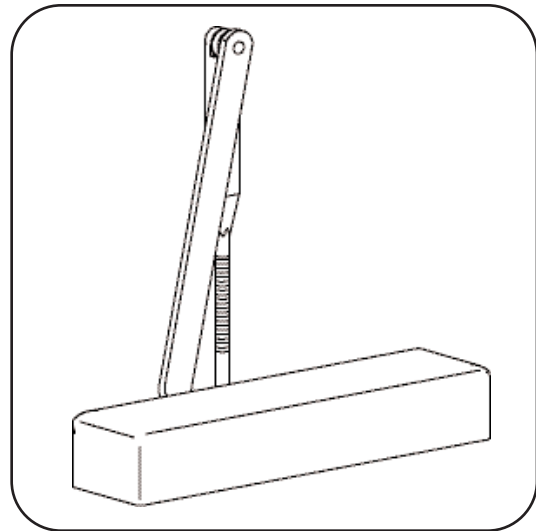
8600 Slim Cover AF Arm



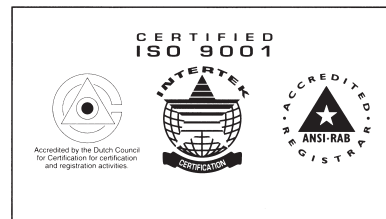
8600 Full Cover AF Arm



8600 Slim Cover AR Arm



8600 Full Cover AR Arm



**DORMA By Choice™**

The quality management system at the Reamstown, Pennsylvania facility is certified to ISO 9001\*.

\*DORMA Door Controls, Inc. d.b.a. DORMA Architectural Hardware

0606



## DORMA 8600 SERIES

### Applications:

The 8600 Series is designed to provide a highly flexible door control system suitable for use on all hollow metal, aluminum, and wood doors typically used in commercial construction. It is available in adjustable spring size 1-6. Doors may be mounted with either ball bearing hinges or pivots. Special brackets and other adapting hardware are available with the 8600 Series product.

### Listings & Approvals:

- ANSI Grade 1.
- UL and ULC.
- UL10C for positive pressure.
- UBC 7.2 1997.
- CSFM.
- M.E.A.

**Warranty:** 25 Years.

### Range of Door Sizes:

- Exterior door widths to 48" (1219 mm).
- Interior door widths to 48" (1219 mm).
- Door heights to 96" (2438 mm).
- Door weights to 250 pounds (114 kg).
- Can be adjusted to meet ADA maximum 5 lb opening force on properly hung interior doors.

### Finishes:

- Standard Sprayed Finishes:  
Aluminum: 689.  
Bronze: 691 (Dull), 690 (Statuary), or 695 (Dark Duranodic).  
Gold: 696 (Satin). Black: 693.
- Architectural Plated Finishes:  
Brass: 605 (Polished), 606 (Satin Brass).  
Bronze: 611 (Polished), 612 (Satin), 613 (Oil Rubbed).  
Nickel: 618 (Polished), 619 (Satin)  
Chrome: 625 (Polished), 626 (Satin).
- Custom Painted Finishes:  
Submit sample. Customer approval required.

### Special Application Assistance:

Please contact our Technical Services team at 800-523-8483 if you have any questions or need assistance in developing a custom application.

### Closer Mounting Options (based on arm selection):

- Regular pull side of the door.
- Top jamb push side of the door.
- Parallel arm on push side of the door.

### ANSI A156.4 Grade 1 Selector Chart

Arm(s)	Hingside	Parallel Arm	Top Jamb
AF, AR	C02011	C02021	C02041
FH, PH	C02051	C02061	C02081
T, JT, PT, FT	C02251 C02211	C02231	C02271
TH, JTH, PTH, FTH	C02261 C02222	C02241	C02281
FT4 Function Options	A, B, C, D, F, H	A, B, C, D, F, G, H, J	A, B, C, D, F, H

### Arm Functions:

- Regular, Top Jamb or Parallel Arm.
- Friction hold open.
- Plunger hold open.
- Heavy Duty Dead Stop Reg or TJ.
- Heavy Duty Dead Stop PA (hold open optional).
- Heavy Duty PA (hold open optional).
- Track (hold open optional).
- Double Egress Track (hold open optional).

### Closer Functions:

- Adjustable power.
- Adjustable backcheck intensity.
- Adjustable backcheck positioning.
- Adjustable sweep speed.
- Adjustable latch speed.
- Optional delayed closing from maximum opening angle to approximately 70°.

### Cover Options:

- Slim plastic cover.
- Optional full plastic cover.
- Optional full plastic slotted cover.
- Optional full metal cover (required for architectural finishes).

### Contact Information:

DORMA Architectural Hardware  
Dorma Drive, Drawer AC  
Reamstown, PA 17567-0411  
Tel: 800-523-8483  
Fax: 800-274-9724  
Email: archdhw@dorma-usa.com

### A DORMA Group Company

www.dorma-usa.com