

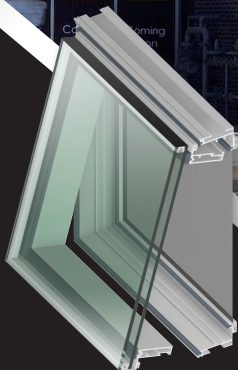
TerraPorte 7600 Terrace Door

The TerraPorte 7600 Series Out-swing and In-swing architectural terrace doors are ideal for mid-rise residential projects, condominiums, and hotels. The 3-1/4" deep thermal system can be installed as a standalone product or easily integrated into Tubelite's curtainwall, ribbon window, and storefront systems.

Thermal-Block
HIGH PERFORMANCE THERMAL FRAMING



**900RW Series
Thermal Ribbon
Window**



Project: Centrum Bucktown, Chicago, IL, Erector: Northern Glass, Finish: Clear Anodized

**ALSO
USED
WITH**

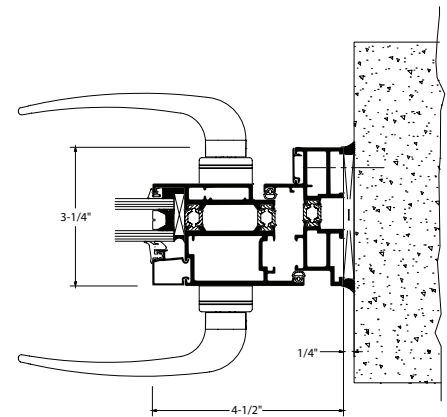
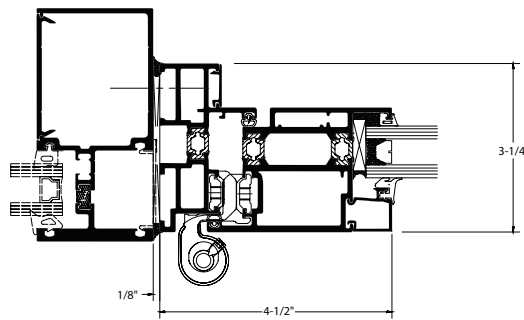
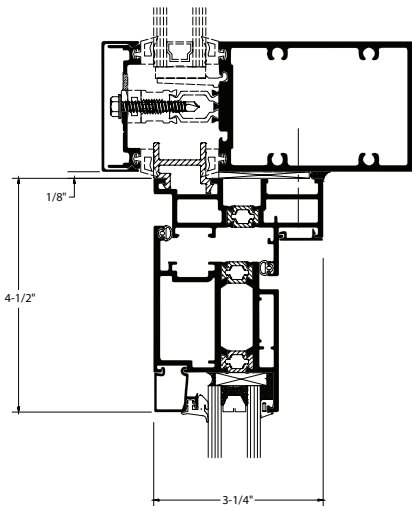
**Phantom Vent 5000
Projecting Operable Window**

TUBELITE[®]
DEPENDABLE

LEADERS IN ECO-EFFICIENT STOREFRONT,
CURTAINWALL AND ENTRANCE SYSTEMS

TerraPorte 7600 Terrace Door

Thermal-Block
HIGH PERFORMANCE THERMAL FRAMING



Features & Options:

- AAMA AW70 Performance Class
- Rainscreen design for superior performance
- 3-1/4" frame depth
- Polyamide thermal barrier for superior thermal and energy performance
- Two color, split finish capability
- Giesse multi-lock hardware in Gray, Black or White painted finishes
- Thumb turn lock with keyed cylinder option
- Heavy Duty aluminum hinges
- Large sizes, up to 12' tall
- Optional low-profile accessABLE™ sill for out-swing doors
- Mitered frame and door leaf, corner key and crimped construction for durability
- Life cycle tested to AAMA 910
- Optional closure or concealed stop

TerraPorte 7600 Series Product Specifications

Application: Mid-rise residential projects, condominiums, and hotels

Description: Out-swing and In-swing thermally broken architectural terrace door

Performance Class:	System Depth:	Glass:	Air Infiltration:	Water Infiltration:	Structural:	U-Factor**:	CRF*:	Acoustic (STC):	Acoustic (OITC):	Max. Sizes
AW70-ATD	3-1/4"	1"	0.1 CFM / Ft.2 @ 6.24 PSF	15 PSF – Standard 12 PSF –accessABLE™	70 PSF – Design 105 PSF – Overload	Out-swing 0.40 In-swing 0.41	Out-swing 56, 70 _c In-swing 60, 71 _c	Out-swing 35 In-swing 35	Out-swing 29 In-swing 30	Single: 4'0" x 8'0" or: 2'10" x 12'0"

** U-Factor per NFRC 100: COG = 0.24 with warm edge spacer, 1-3/4" x 4-1/2" non-thermal frame.

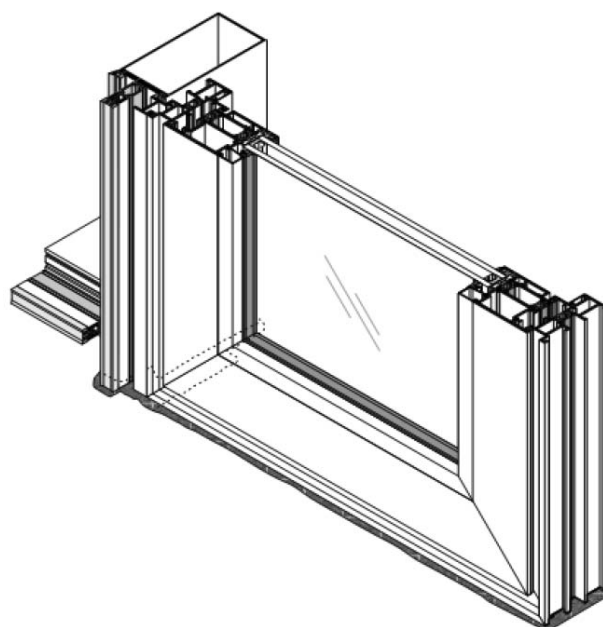
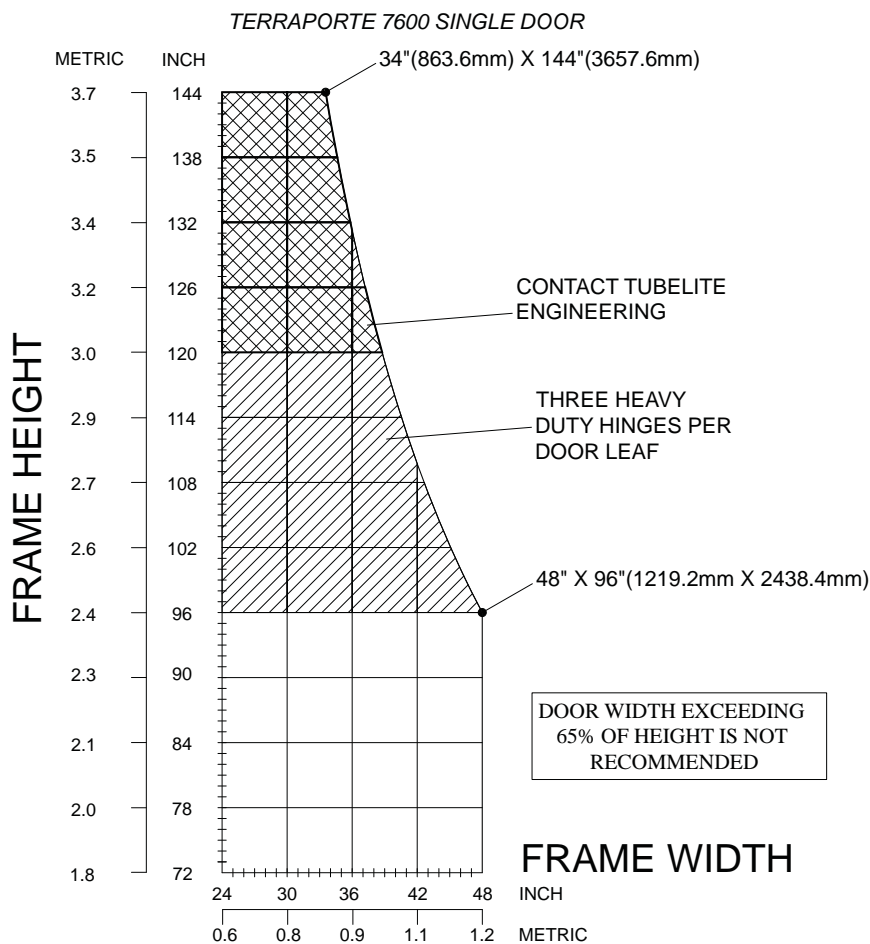
Refer to the U-Factor table at: <https://www.tubeliteinc.com/products/entrances/terraporte-7600/> for other glass makeups and configurations.

DISCLAIMER: Tubelite takes no responsibility for product selection or application, including, but not limited to, compliance with building codes, safety codes, laws, merchantability or fitness for a particular purpose; and further disclaims all liability for the use, in whole or in part, of this Technical Guide in preparation of project specifications and/or other documents. Technical Guides are subject to change at any time, without notice, and at Tubelite's sole discretion. ©2017 Tubelite Inc.z

071420

TUBELITE[®]
DEPENDABLE

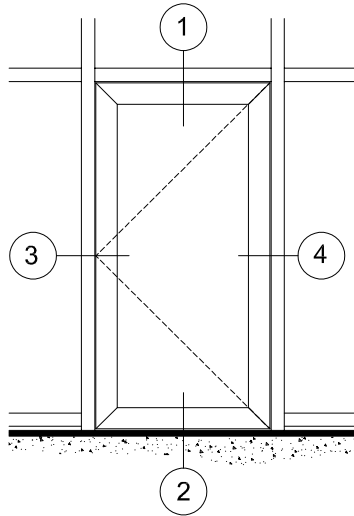
TerraPorte 7600 Terrace Door Size Chart & Isometric



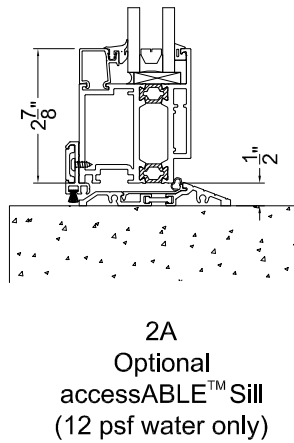
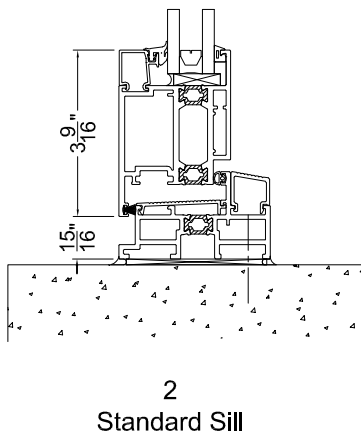
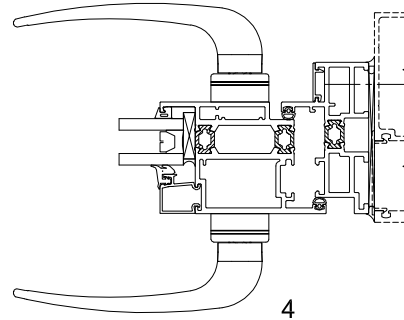
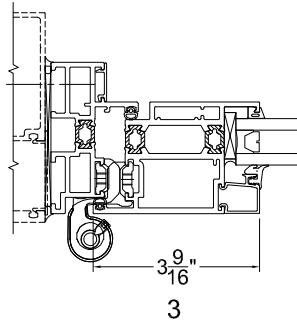
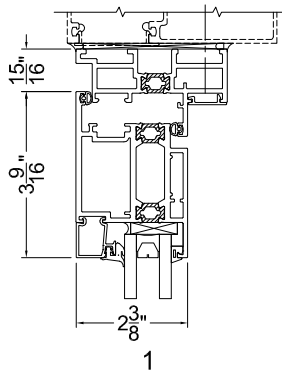
Tubelite reserves the right to change system configuration without prior notice when deemed necessary for product improvements.

Laws and building & safety codes governing the design and use of glazed entrance, window and curtain wall systems vary widely. Tubelite does not control the selection of product configurations, operating hardware or glazing materials, and assumes no responsibility thereof.

Standard Outswing Details
1/4 scale



Flatback Installation



TUBELITE®
DEPENDABLE
LEADERS IN ECO-EFFICIENT STOREFRONT,
CURTAINWALL AND ENTRANCE SYSTEMS

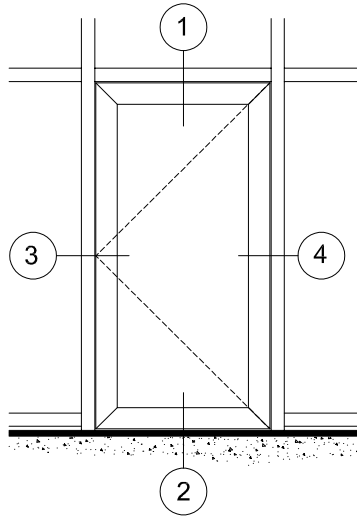
February 2019

For specific product applications, contact your Tubelite representative.
Details on this page represent standard details found on our website.
For more options, visit our website at www.tubeliteinc.com/terraporte-7600/

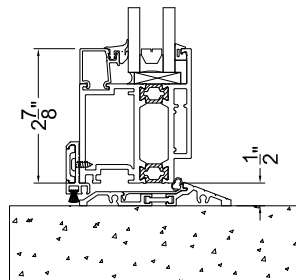
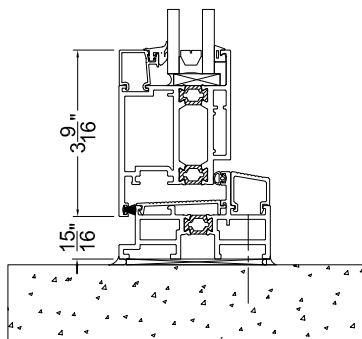
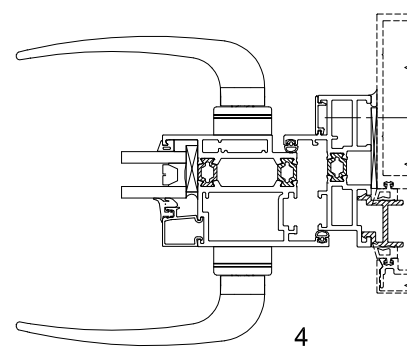
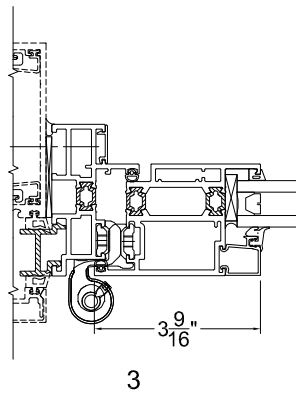
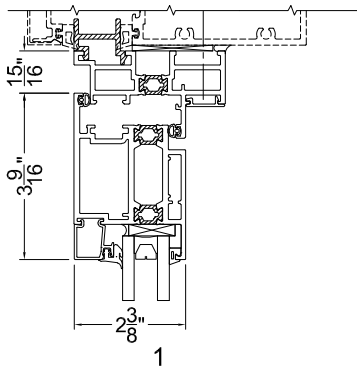
Tubelite reserves the right to change system configuration without prior notice when deemed necessary for product improvements.

Laws and building & safety codes governing the design and use of glazed entrance, window and curtain wall systems vary widely. Tubelite does not control the selection of product configurations, operating hardware or glazing materials, and assumes no responsibility thereof.

Standard Outswing Details
1/4 scale



Captured Installation



2
Standard Sill

2A
Optional
accessABLE™ Sill
(12 psf water only)

TUBELITE®
DEPENDABLE
LEADERS IN ECO-EFFICIENT STOREFRONT,
CURTAINWALL AND ENTRANCE SYSTEMS

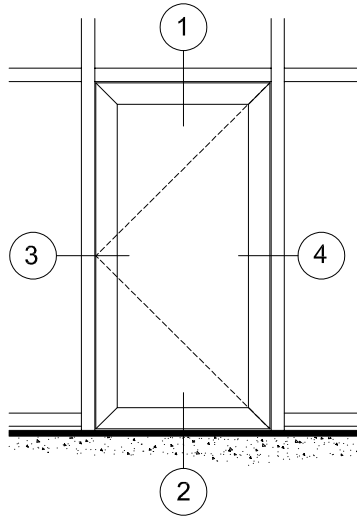
February 2019

For specific product applications, contact your Tubelite representative.
Details on this page represent standard details found on our website.
For more options, visit our website at www.tubeliteinc.com/terraporte-7600/

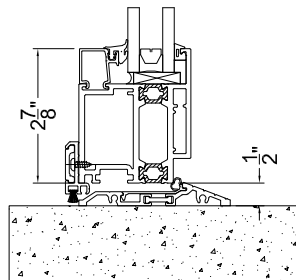
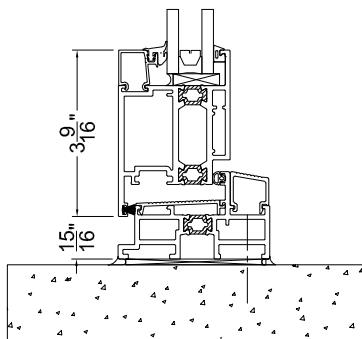
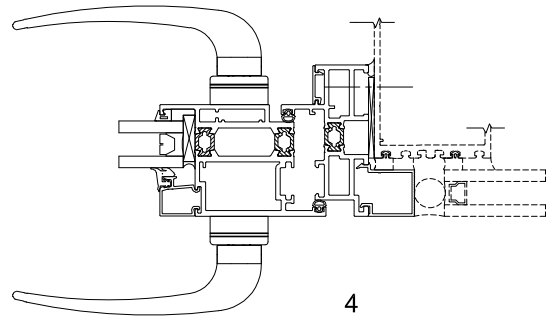
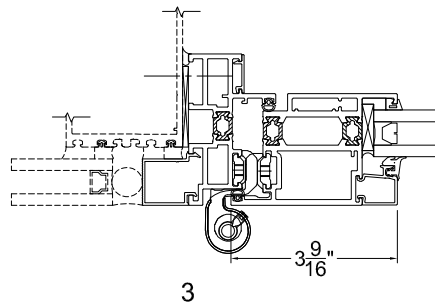
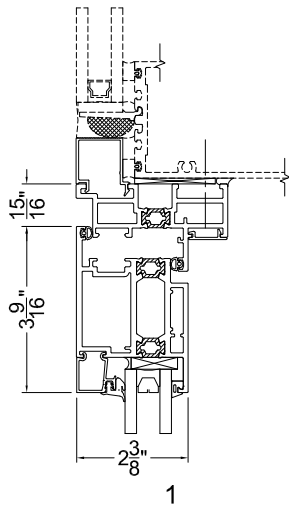
Tubelite reserves the right to change system configuration without prior notice when deemed necessary for product improvements.

Laws and building & safety codes governing the design and use of glazed entrance, window and curtain wall systems vary widely. Tubelite does not control the selection of product configurations, operating hardware or glazing materials, and assumes no responsibility thereof.

Standard Outswing Details
1/4 scale



SSG Installation



2
Standard Sill

2A
Optional
accessABLE™ Sill
(12 psf water only)

TUBELITE®
DEPENDABLE
LEADERS IN ECO-EFFICIENT STOREFRONT,
CURTAINWALL AND ENTRANCE SYSTEMS

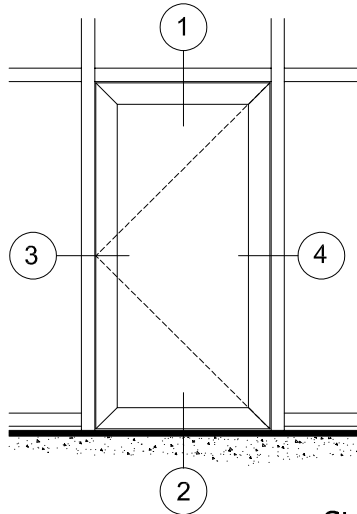
February 2019

For specific product applications, contact your Tubelite representative.
Details on this page represent standard details found on our website.
For more options, visit our website at www.tubeliteinc.com/terraporte-7600/

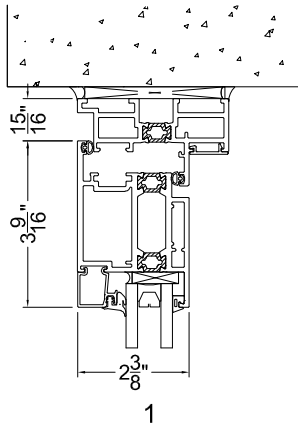
Tubelite reserves the right to change system configuration without prior notice when deemed necessary for product improvements.

Laws and building & safety codes governing the design and use of glazed entrance, window and curtain wall systems vary widely. Tubelite does not control the selection of product configurations, operating hardware or glazing materials, and assumes no responsibility thereof.

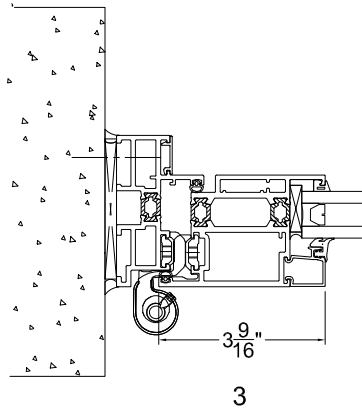
Standard Outswing Details
1/4 scale



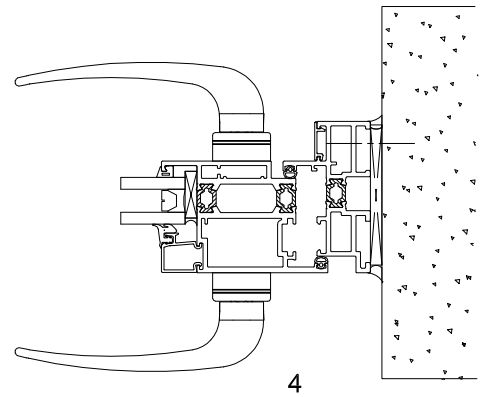
Stand Alone Installation



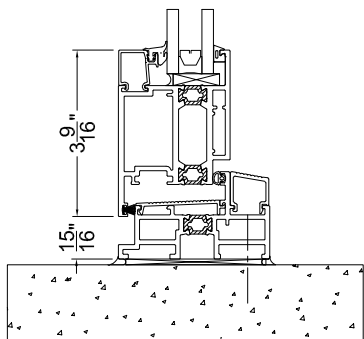
1



3

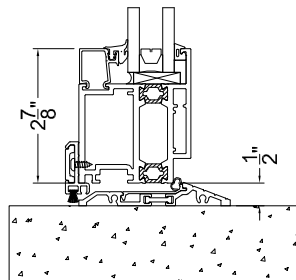


4



2

Standard Sill



2A

Optional
accessABLE™ Sill
(12 psf water only)

TUBELITE®
DEPENDABLE
LEADERS IN ECO-EFFICIENT STOREFRONT,
CURTAINWALL AND ENTRANCE SYSTEMS

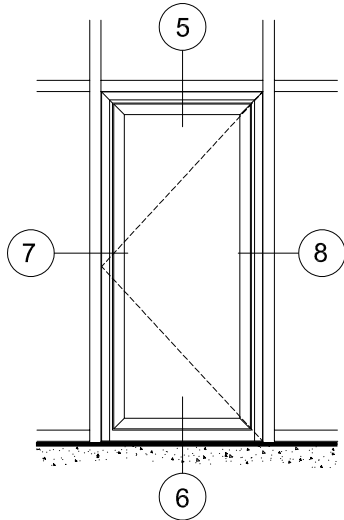
February 2019

For specific product applications, contact your Tubelite representative.
Details on this page represent standard details found on our website.
For more options, visit our website at www.tubeliteinc.com/terraporte-7600/

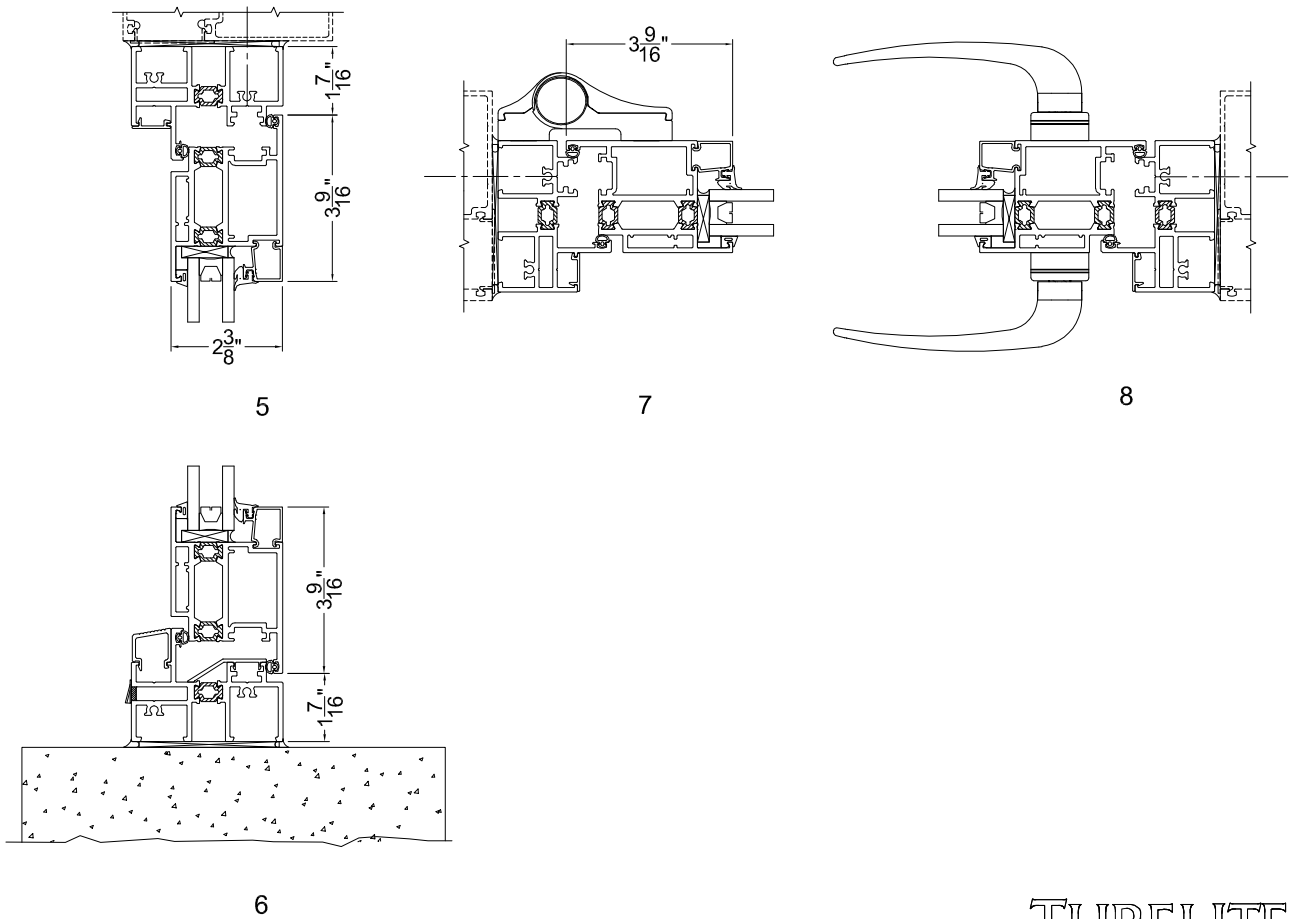
Tubelite reserves the right to change system configuration without prior notice when deemed necessary for product improvements.

Laws and building & safety codes governing the design and use of glazed entrance, window and curtain wall systems vary widely. Tubelite does not control the selection of product configurations, operating hardware or glazing materials, and assumes no responsibility thereof.

Standard Inswing Details
1/4 scale



Flatback Installation



February 2019

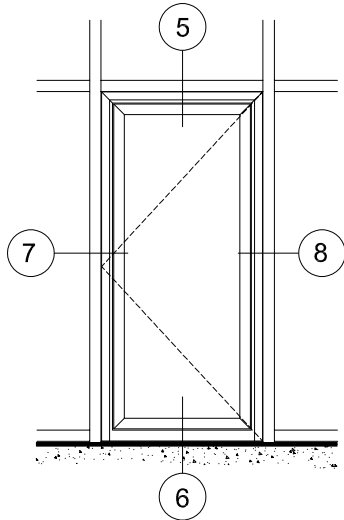
TUBELITE[®]
DEPENDABLE
LEADERS IN ECO-EFFICIENT STOREFRONT,
CURTAINWALL AND ENTRANCE SYSTEMS

For specific product applications, contact your Tubelite representative.
Details on this page represent standard details found on our website.
For more options, visit our website at www.tubeliteinc.com/terraporte-7600/

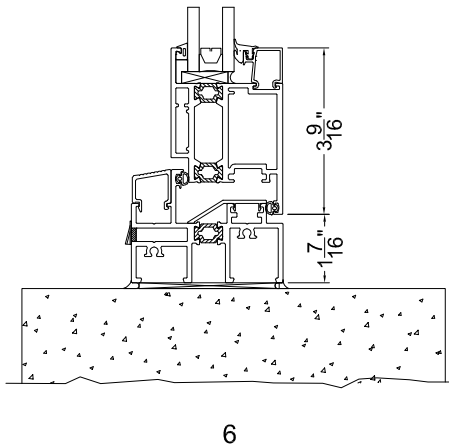
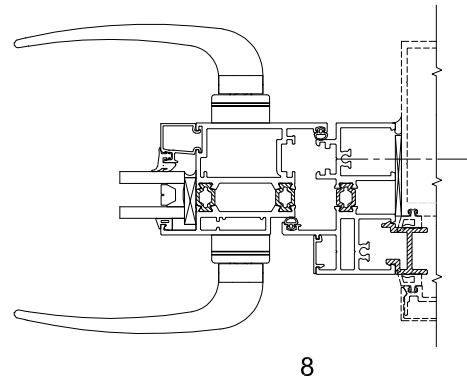
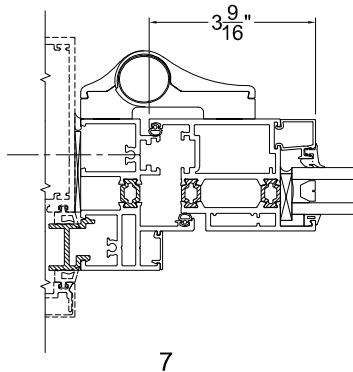
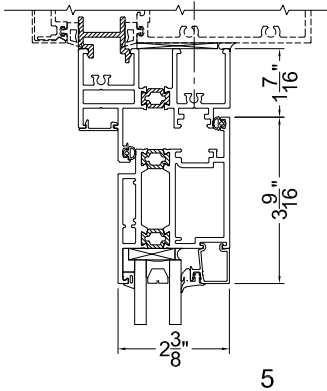
Tubelite reserves the right to change system configuration without prior notice when deemed necessary for product improvements.

Laws and building & safety codes governing the design and use of glazed entrance, window and curtain wall systems vary widely. Tubelite does not control the selection of product configurations, operating hardware or glazing materials, and assumes no responsibility thereof.

Standard Inswing Details
1/4 scale



Captured Installation



TUBELITE[®]
DEPENDABLE
LEADERS IN ECO-EFFICIENT STOREFRONT,
CURTAINWALL AND ENTRANCE SYSTEMS

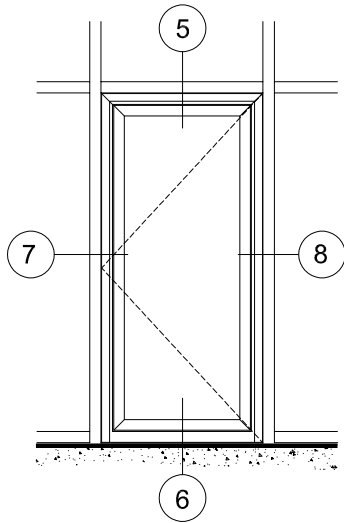
February 2019

For specific product applications, contact your Tubelite representative.
Details on this page represent standard details found on our website.
For more options, visit our website at www.tubeliteinc.com/terraporte-7600/

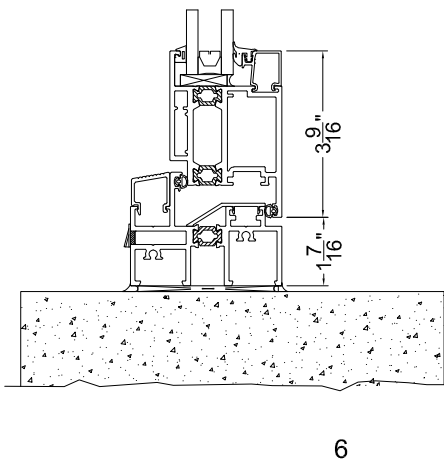
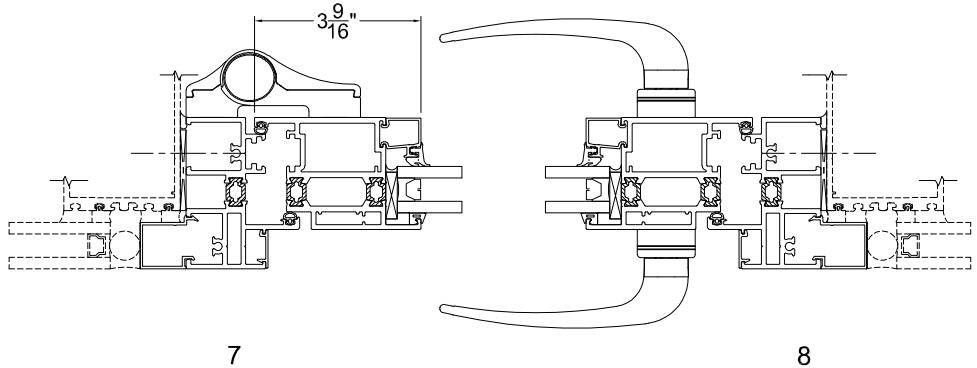
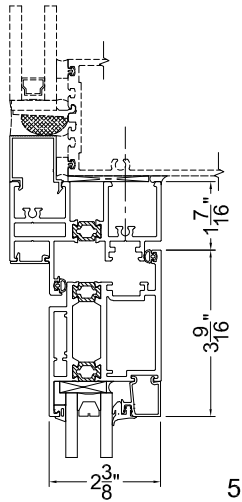
Tubelite reserves the right to change system configuration without prior notice when deemed necessary for product improvements.

Laws and building & safety codes governing the design and use of glazed entrance, window and curtain wall systems vary widely. Tubelite does not control the selection of product configurations, operating hardware or glazing materials, and assumes no responsibility thereof.

Standard Inswing Details
1/4 scale



SSG Installation



TUBELITE®
DEPENDABLE
LEADERS IN ECO-EFFICIENT STOREFRONT,
CURTAINWALL AND ENTRANCE SYSTEMS

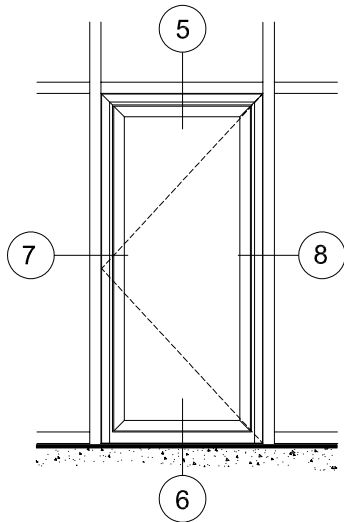
February 2019

For specific product applications, contact your Tubelite representative.
Details on this page represent standard details found on our website.
For more options, visit our website at www.tubeliteinc.com/terraporte-7600/

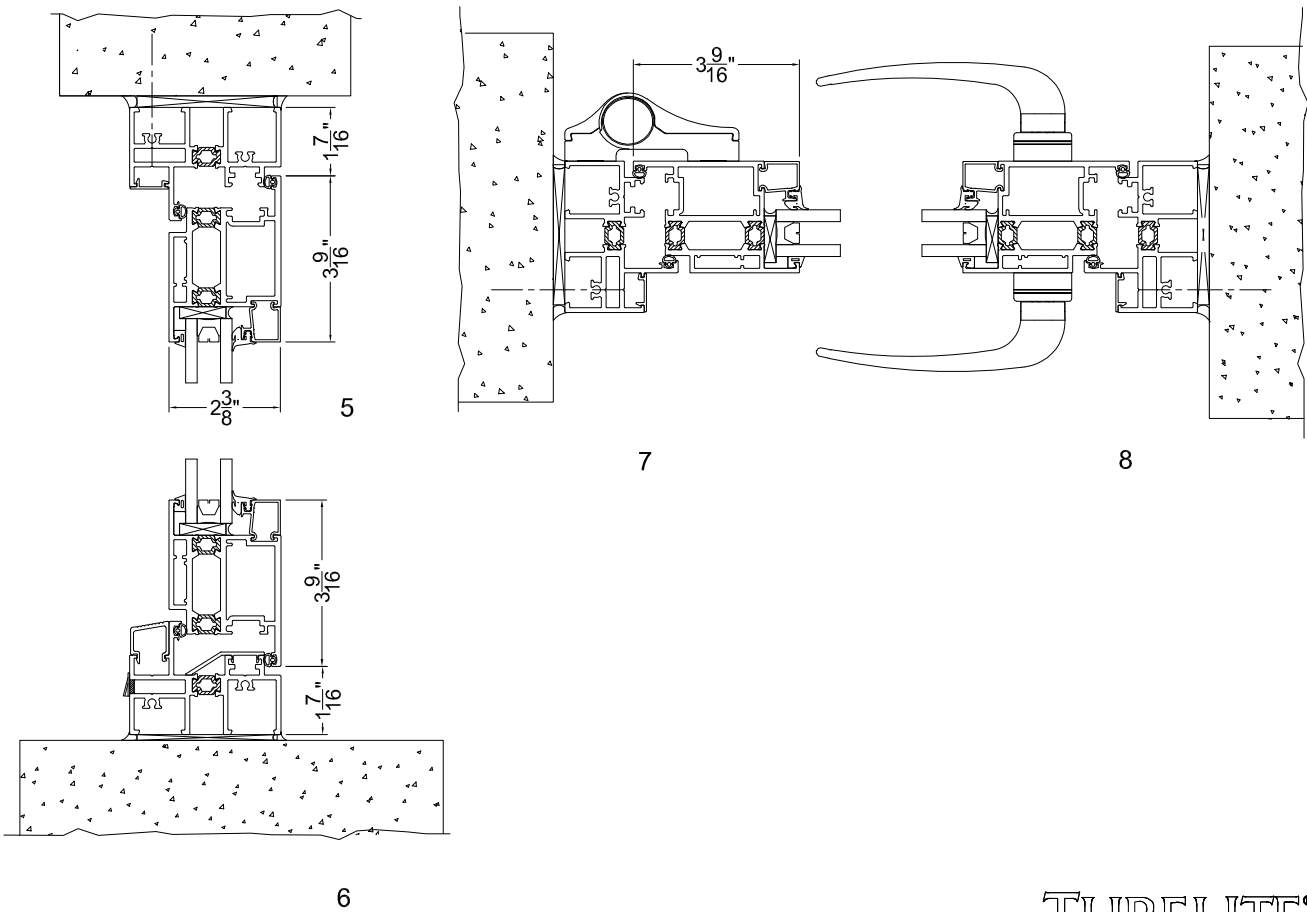
Tubelite reserves the right to change system configuration without prior notice when deemed necessary for product improvements.

Laws and building & safety codes governing the design and use of glazed entrance, window and curtain wall systems vary widely. Tubelite does not control the selection of product configurations, operating hardware or glazing materials, and assumes no responsibility thereof.

Standard Inswing Details
1/4 scale



Stand Alone Installation



TUBELITE[®]
DEPENDABLE
LEADERS IN ECO-EFFICIENT STOREFRONT,
CURTAINWALL AND ENTRANCE SYSTEMS

February 2019

For specific product applications, contact your Tubelite representative.
Details on this page represent standard details found on our website.
For more options, visit our website at www.tubeliteinc.com/terraporte-7600/