

DEPENDABLE PRODUCT NEWS

TUBELITE®

DEPENDABLE

LEADERS IN ECO-EFFICIENT STOREFRONT,
CURTAINWALL AND ENTRANCE SYSTEMS

Date: **03/03/14**

Engineering Bulletin: **031401**

*Effective Date: **March 3, 2014***

Released By: **Z.Kukkonen**

Subject:

**New 14000 I/O sunshade brackets (P3948, P3949);
New top mounted sunshade brackets (P3950, P3951L/R)
New drill fixture (P3952)
New fastener (S374);**

Description:

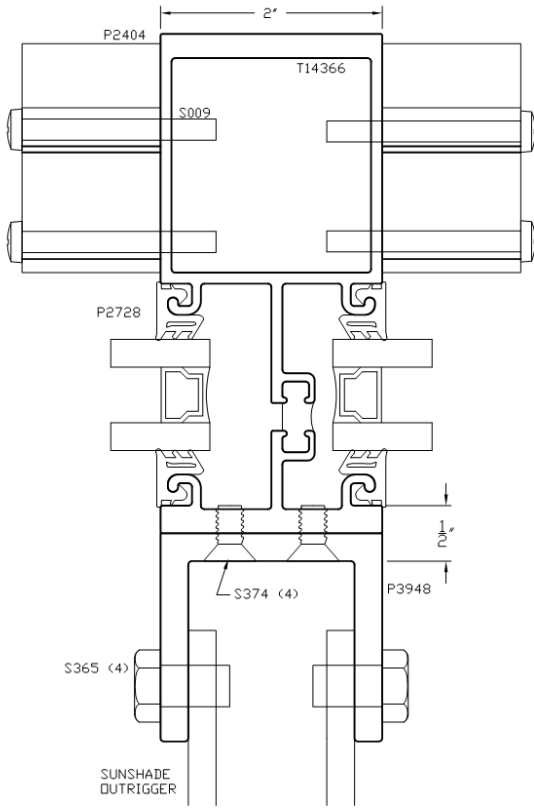
New sunshade brackets will be available for the 14000 I/O Storefront Series. The brackets will enable the attachment of sunshades to intermediate verticals (P3948) and at the jamb (P3949), along with top mounted capability at intermediate verticals (P3950) and at jambs (P3951L/R). A drill fixture (P3952) is available for hole placement.

The brackets must be used with the 14000 I/O heavy duty tubular vertical (T/E14366). The brackets may also be utilized as an alternative for the 14000 Storefront Series, using a heavy duty tubular vertical (T/E1430). Both applications should be reviewed by Engineering.

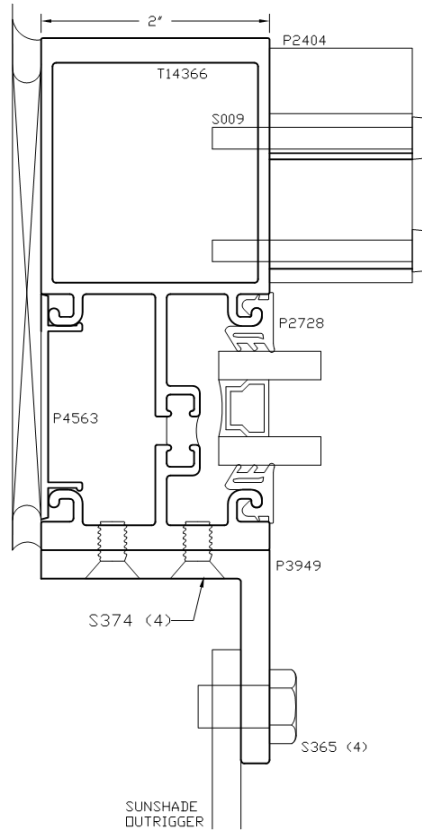
The brackets attach to the face of the heavy duty verticals using eight S374 fasteners.

Please see below for details:

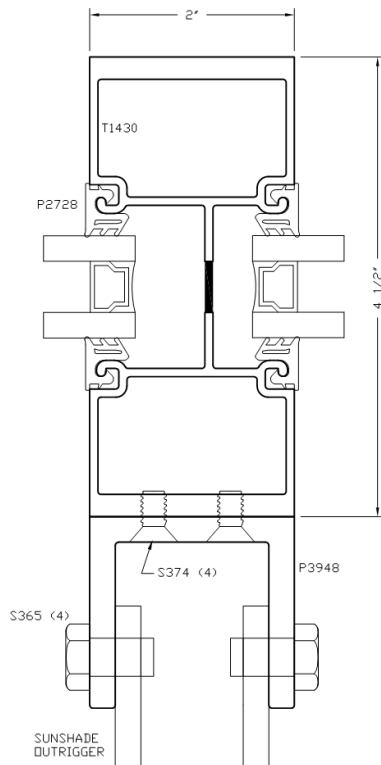
14000 I/O



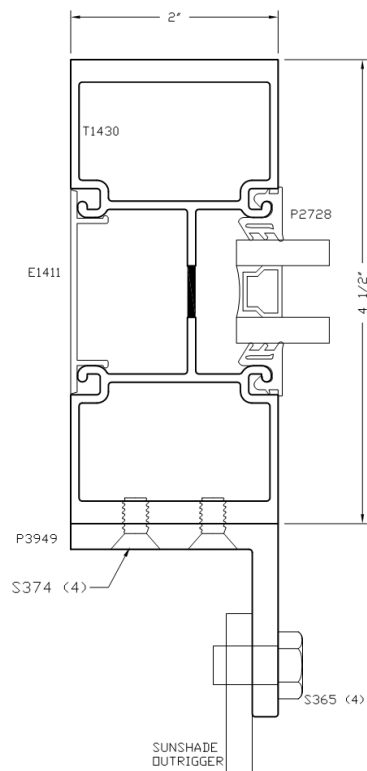
14000 I/O at jamb



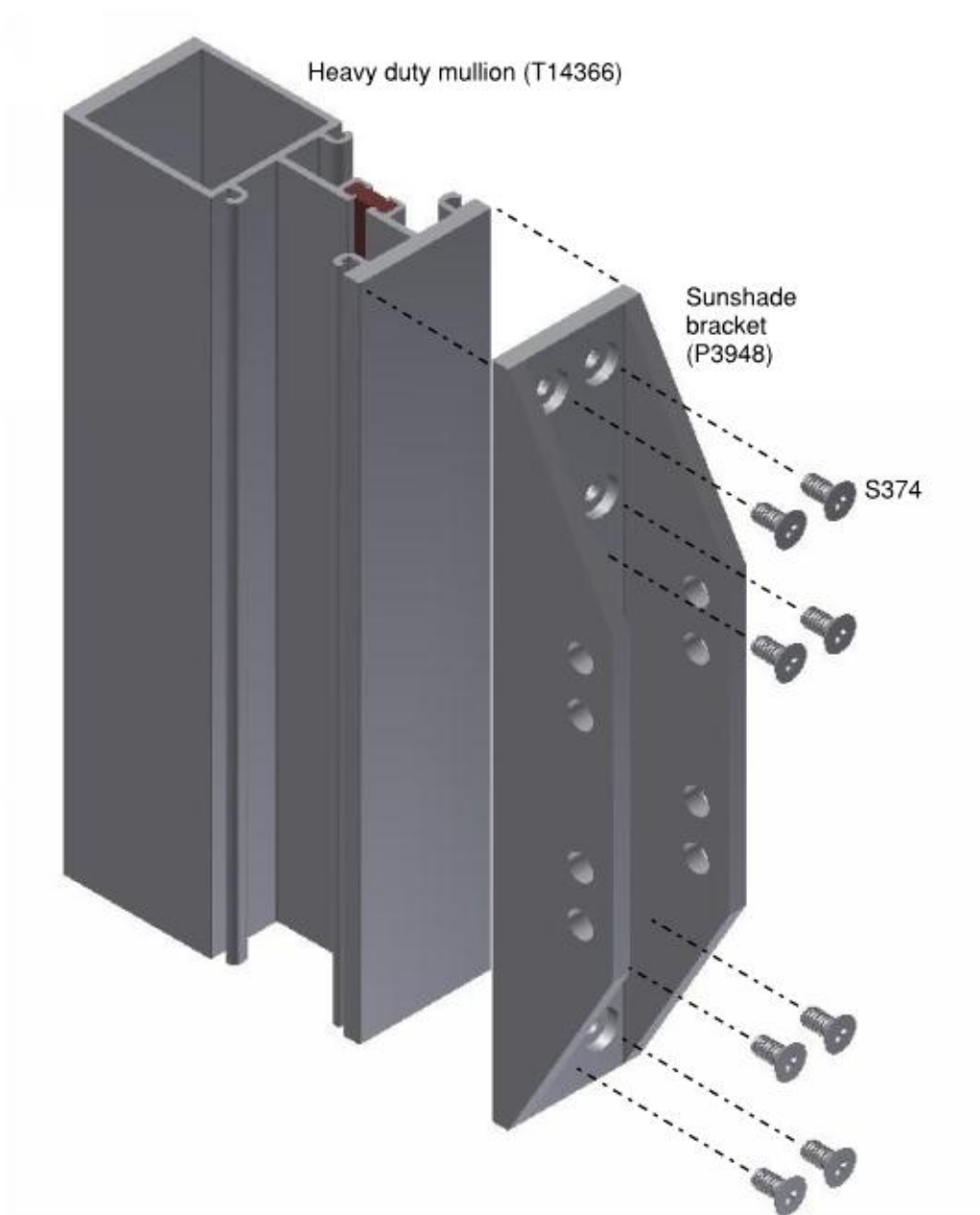
14000



14000 at jamb



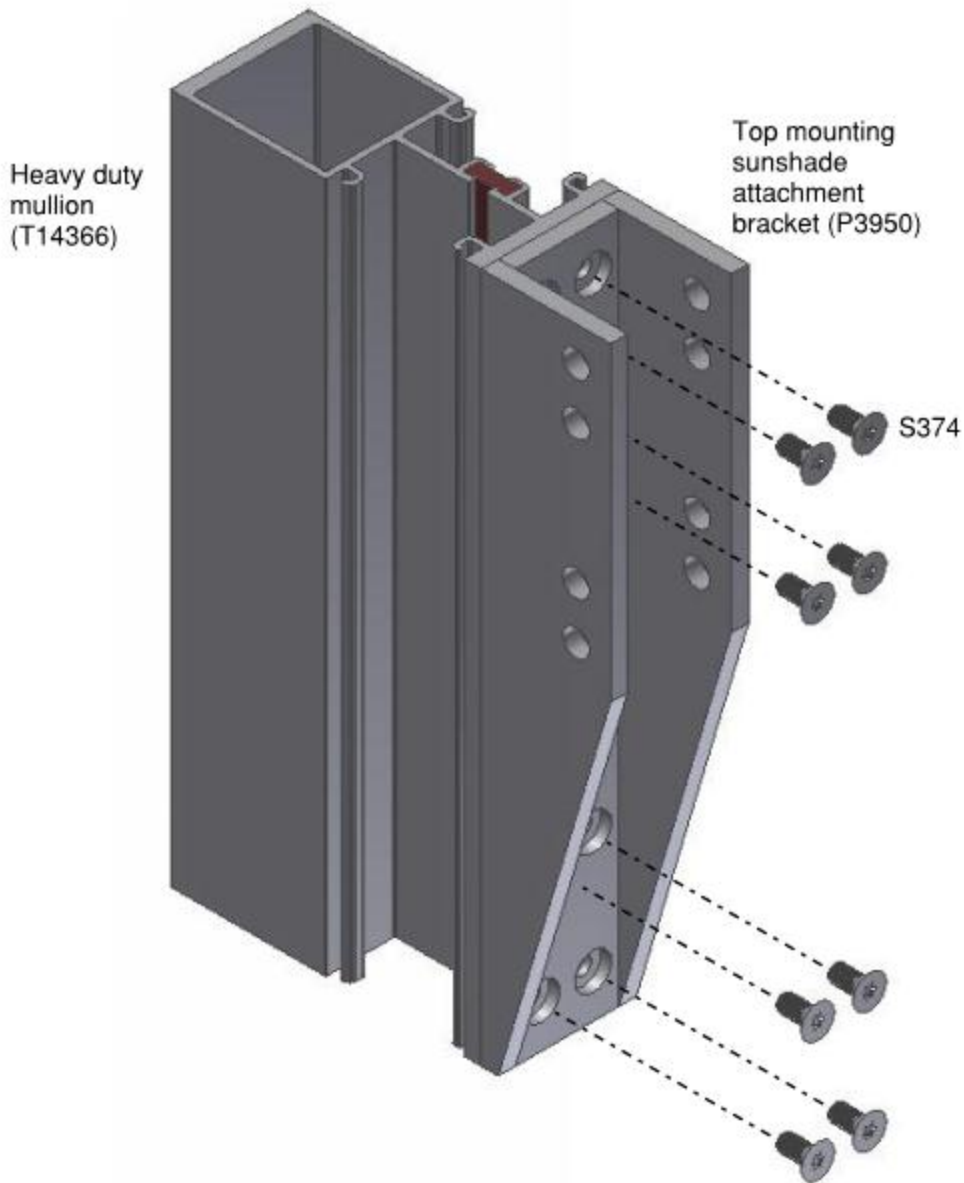
14000 I/O Storefront



Assembly

- A drill fixture is available (P3952) to locate holes on the mounting bracket (P3948).
- Attach sunshade attachment bracket (P3948) to heavy duty vertical (T14366) using eight S374 screws.

14000 I/O Storefront (top mounted)



Assembly

- A drill fixture is available (P3952) to locate holes on the mounting bracket (P3948).
- Attach top mounting sunshade attachment bracket (P3950) to heavy duty vertical (T14366) using eight S374 screws.