

MS1850S, MS1850S-X5X

Series MS® Deadlocks

The **MS1850S Series MS® Deadlock** utilizes a laminated stainless steel bolt to provide maximum security for a single leaf narrow stile aluminum door. The **MS1850S-X5X Series MS® Deadlock** utilizes a laminated stainless steel hookbolt to provide maximum security for a sliding narrow stile aluminum door. Both are activated by a pivot mechanism.

Function

A huge bolt of laminated stainless steel, nearly 3" long, activated by an uncomplicated pivot mechanism, has made the basic **MS1850S Series MS® Deadlock** the standard of the narrow stile aluminum door industry. The length of this bolt provides maximum security for a single leaf door, even a very tall and flexible one or an installation where the gap between the door and jamb is greater than it should be.

The **MS1850S-X5X Series MS® Deadlock** answers the security need of sliding narrow stile aluminum doors in commercial, industrial, and institutional buildings. The locking mechanism is identical to the MS1850S Series MS Deadlock, except that the massive laminated bolt is provided in a hook shape to resist the parting motion of sliding door and jamb. The over-center maximum security (MS) locking action assures that forced entry attempts to pry the door in any direction, up, down, or sideways will be defeated.

Special configuration: The **1850S-X2X Series Short Throw Deadlock** utilizes a laminated stainless steel short bolt, activated by a pivot mechanism to secure a single leaf narrow stile aluminum door.

Operation

360° turn of key or thumbturn projects or retracts the counterbalanced bolt. Key can be removed only when bolt is in a positively locked or unlocked position. Lock accepts any standard 1" [25.4 mm] length, 1-5/32" [29.4 mm] diameter mortise cylinder with MS® cam such as the 4036 Mortise Cylinder or thumbturn such as the 4066 Thumbturn, available separately. Lock accepts cylinder from either or both sides.



MS1850S



MS1850S-X5X



Aluminum



Swinging Door



Sliding Door

MS1850S-
X5X only

Updated: January 14, 2019

ASSA ABLOY, the global leader
in door opening solutionsUS adamsrite.com | 800.872.3267 | customerservice.adamsrite@assaabloy.comCanada assaabloydss.ca | 800.461.3007 | sales.dss.ca@assaabloy.comPatent pending and/or patent www.assaabloydss.com/patents. Copyright © 2019, Hanchett Entry Systems, Inc., an ASSA ABLOY Group company. All rights reserved. Reproduction in whole or in part without the express written permission of Hanchett Entry Systems, Inc. is prohibited.

 Adams Rite
ASSA ABLOY

All measurements are approximate and are provided for informational purposes only. Refer to the product Installation Instructions.

Features

Backset

7/8" [22.2 mm], 31/32" [24.6 mm], 1-1/8" [28.6 mm], and 1-1/2" [38.1 mm]. 1850S-X2X not available with 7/8" backset.

Case

Measures 1" x 6" x depth [25.4 mm x 152.4 mm x depth], depth varies by backset (see table on left). Steel with corrosion-resistant plating.

Faceplate

Measures 1" x 6-7/8" [25.4 mm x 174.6 mm].

Strike

See below for dimensions of strike slot which can be cut in metal jamb. Trim plate, box strike, and armored strike are available separately.

Bolt

Eight-ply laminated stainless steel. Center ply has alumina-ceramic core to defeat any hacksaw attack, including rod-type "super" hacksaws.

MS1850S: Standard straight bolt measures 5/8" x 1-3/8" x 2-7/8" [15.9 mm x 34.9 mm x 73.0 mm] with 1-3/8" [34.9 mm] throw.

MS1850S-X5X: Hookbolt measures 5/8" x 1-3/8" [15.9 mm x 34.9 mm] with 13/16" [20.6 mm] throw. Hook shaped bolt repels pry bar attempts to "spread" the door from its jamb or lift it off its track.

1850S-X2X: Short bolt measures 5/8" x 1-3/8" x 2-3/8" [15.9 mm x 34.9 mm x 60.3 mm] with 13/16" [20.6 mm] throw.

Standard Package

Individually boxed with faceplate and mounting screws. Strike plates, cylinders and/or thumbturns available separately.

Shipping Weight

1-1/2 lbs [0.68 kg].

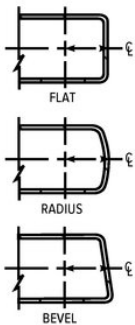
Options

- "SCHOOLHOUSE" version, also available, is modified so that operation from inside is "unlock only". This lock is handed and must be specified LH or RH. Specify SCH1850S or SCH1850S-X5X Series. Same faceplate and backset options as MS1850S and MS1850S-X5X Series.

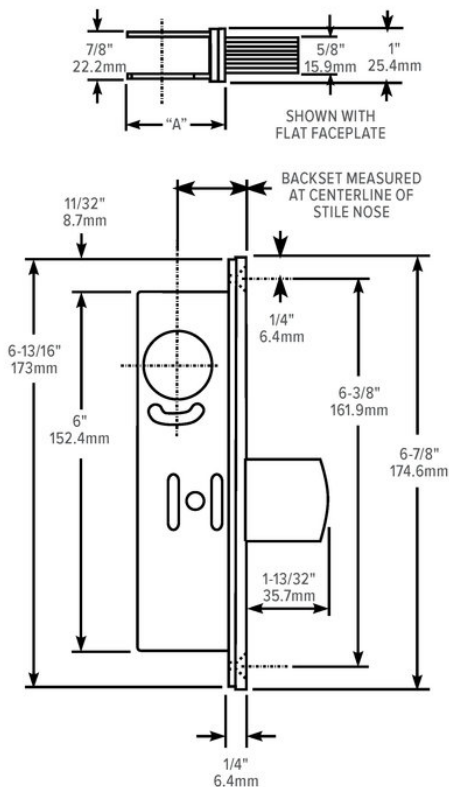
ARMORED FACEPLATE 1" X 6-7/8"	
FLAT MS1850S	
RADIUS MS1851S	
RADIUS W/ WEATHERSTRIP MS1851SW	
LH BEVEL MS1852S-X1S	
RH BEVEL MS1852S-X16	

BACKSET	"A"
7/8" 22mm	1-9/16" 34.7mm
31/32" 24.6mm	1-5/8" 41.3mm
1-1/8" 28.6mm	1-25/32" 45.2mm
1-1/2" 38.1mm	2-1/4" 57.2mm

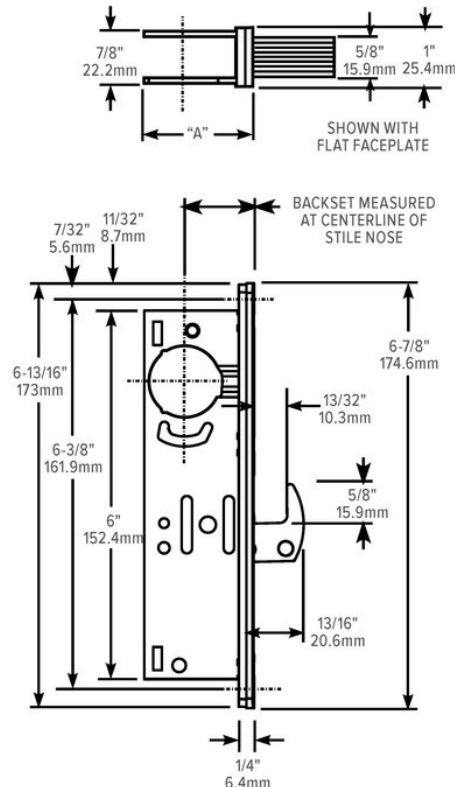
HOW BACKSET IS MEASURED:
CYLINDER C



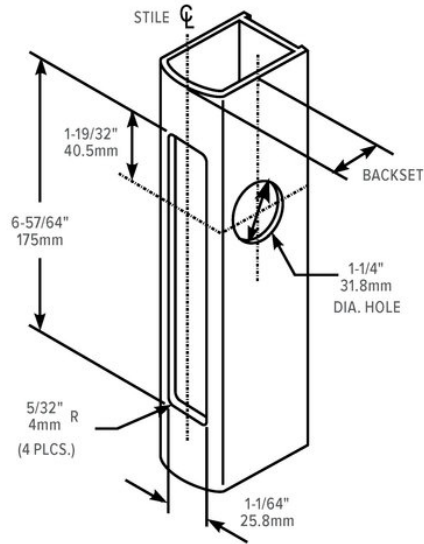
MS1850S Dimensions



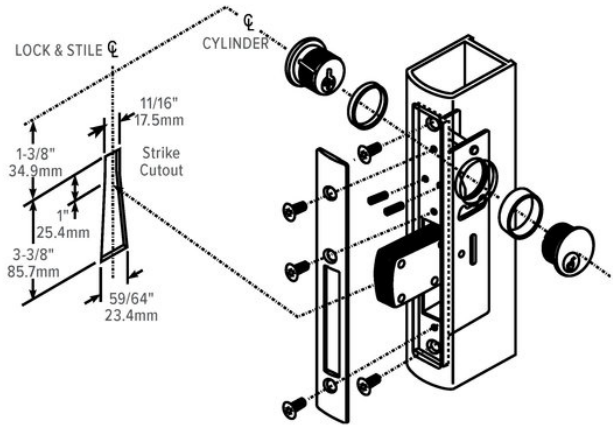
MS1850S-X5X Dimensions



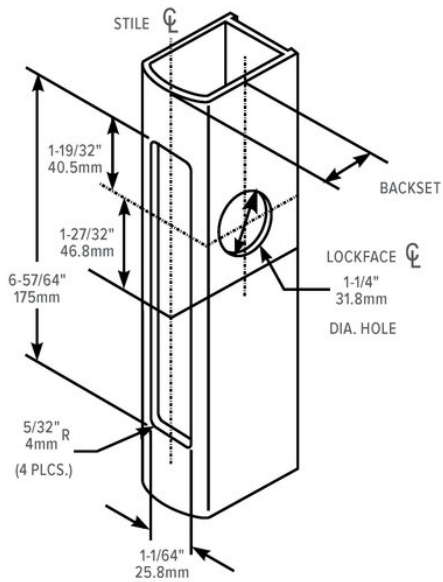
MS1850S Stile Preparation



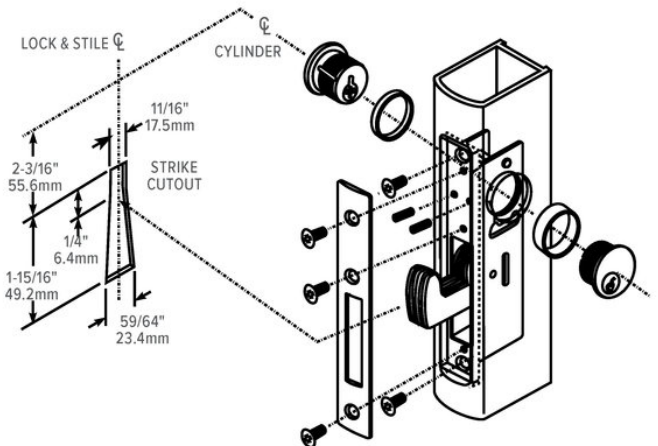
Lock & Cylinder Installation



MS1850S-X5X Stile Preparation



Lock & Cylinder Installation



How to Order & Related Products

MS1850S, MS1850S-X5X Series MS® Deadlock: Specify quantity and the following information. Order related products separately.

PRODUCT NO.	FACEPLATE	BACKSET	BOLT SHAPE	HANDING	FINISH
MS185	OS	-2	1	0	-628
	0S Flat	1 7/8"	1 Straight bolt	0 Non-Handed*	313 Dark Bronze Anodized
	1S Radius	2 31/32"	5 Hookbolt	5 LH or RHR	335 Black Anodized
	1SW Radius with weatherstrip	3 1-1/8"		6 RH or LHR	628 Clear Anodized
	2S Bevel	4 1-1/2"			
	3S Without faceplate, without strike plate				

*Any flat or radius faceplate, except Schoolhouse. Select handing for bevel faceplate only.

1850S-X2X Series Short Throw Deadlock: Specify quantity and the following information. Order related products separately.

MODEL	FACEPLATE	BACKSET	BOLT SHAPE	HANDING	FINISH
185	OS	-2	2	0	-628
	0S Flat	2 31/32"	2 Short Throw	0 Non-Handed*	313 Dark Bronze Anodized
	1S Radius	3 1-1/8"		5 LH or RHR	335 Black Anodized
	2S Bevel	4 1-1/2"		6 RH or LHR	628 Clear Anodized
	3S Without faceplate, without strike plate				

*Any flat or radius faceplate, except Schoolhouse. Select handing for bevel faceplate only.

RELATED — MS1850S & MS1850S-X5X

When purchasing this product, please consider the following related products, available separately:

TRIM	CYLINDERS	ACCESSORIES	SPECIAL ORDER OPTIONS
3090-150, A100 Series Keyless Entry, 4550 Deadlock Lever	Standard 1" length, 1-5/32" diameter mortise cylinder with MS® cam such as 4036 Mortise Cylinder, 4066 Thumbturn; MS4043 Cylinder Guard	4000, 4001, MS4002 Deadlock Strikes 4015 Threshold Bolt, 4016 Header Bolt for multi-point locking. 4085 Header Bolt for pairs of doors Lock mounting accessories and options 4089 Exit Indicator	Schoolhouse function available as special order.



4015

Threshold Bolt

Security for pairs of doors with single key turn is possible with the 4015 Threshold Bolt. The two-point locking solution secures the entire double door entrance when working in conjunction with an MS® Deadlock.

Function

Adding the 4015 Threshold Bolt to a pivoted bolt MS® deadlock provides Maximum Security for pairs of doors with the turn of a single key. Simultaneously dropping a stainless steel hexbolt into the threshold and pivoting the massive MS® bolt into the mating door's stile, the two-point locking solution secures the entire entrance. The 4015 Threshold Bolt is harnessed to the rear of the pivoted bolt. It may be added to any basic MS1850S, MS1850SN, MS1950 Series deadlock.

Both the 4015 Threshold Bolt and the 4016 Header Bolt may be added to a pivoted bolt MS® deadlock to provide Maximum Security for pairs of doors by the turn of a single key. Simultaneously extending the stainless steel hexbolts into the threshold and header and pivoting the massive MS® bolt into the mating door's stile, thereby providing a three-point locking solution.

Operation

360° turn of key or thumbturn in basic MS® deadlock throws counterbalanced bolt into opposite door and drops bolt into threshold. Key can be removed only when bolts are in a positively locked or unlocked position.

Features

Cylinder Height

Standard threshold bolt rod is sufficient for cylinder height up to 53-7/16" [1357.3 mm]. It is fully threaded and can be cut off for low cylinder heights. Please contact factory for rods pre-cut to specific cylinder heights, available by special order for high volume applications.

Adjustment

Exact adjustment of threaded rod to cylinder heights is locked in place by hexagonal threshold bolt.

Strike

For drop-bolt, a 1/2" [12.7 mm] diameter hole in metal threshold is suitable. For non-metal installation, 4005 Strike is available separately.

Threshold Bolt

Hexagonal 3/8" [9.5 mm] flat to flat. Made of stainless steel.

Standard Package

Packed separately with bolt guide, screws, and attachment pin.

Shipping Weight

1 lb [0.45 kg].

Options

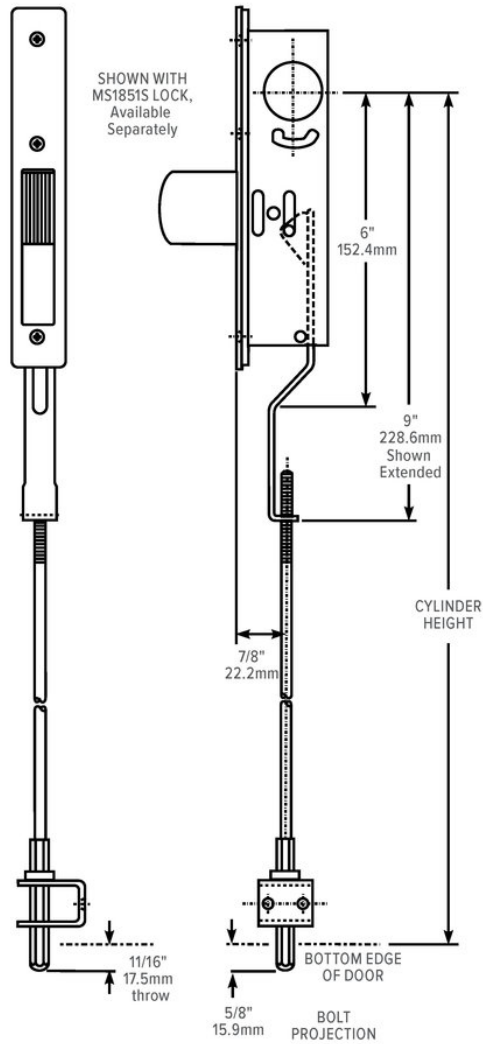
- For "universal" application, specify 4015-18-1B with fully threaded rod for cut off to any cylinder heights below 53" [1346.2 mm]. Please contact factory for cylinder height greater than 53" [1346.2 mm] to maximum 60" [1524mm] or to specify rods pre-cut to specific cylinder heights available by special order for high volume applications.



Lock available separately

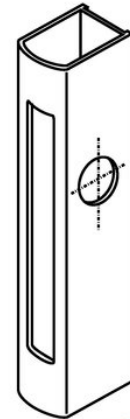
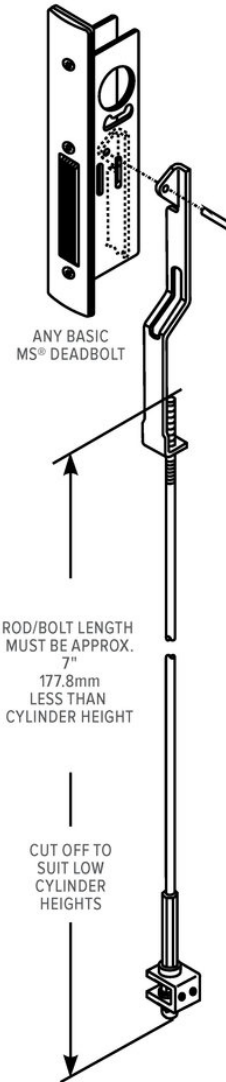
All measurements are approximate and are provided for informational purposes only. Refer to the product Installation Instructions.

Dimensions



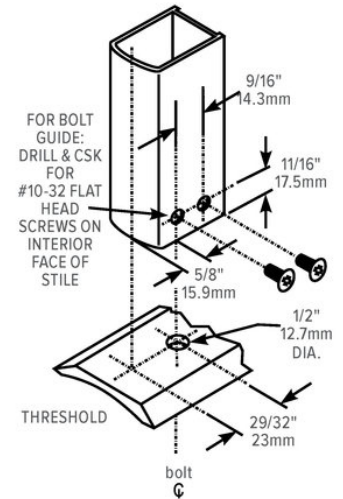
Installation

Install adaptor arm in lock from rear with bolt retracted as shown. Drive pin through slots in lock side plates passing through hole in the adaptor arm.



Stile Preparation

See basic MS® Deadlocks MS1850S, MS1850SN, MS1950, MS1950-050



How to Order, Related & Compatible Products

4015 Threshold Bolt: Specify quantity and the following information. Order related products separately.

MODEL	ADD DASH NUMBER FOR "UNIVERSAL SIZE"	PACKAGING
4015	-18	-IB
		IB Individually Boxed

Please specify cylinder height if ordering in volume for a specific cylinder height.

RELATED

When purchasing this product, please consider the following related products, available separately:

ACCESSORIES
4016 Header Bolt, 4085 Header Bolt

COMPATIBLE

DEADLOCKS	ACCESSORIES
MS1850S, MS1850S-050, MS1850SN, MS1850SN-050, MS1950, MS1950-050 Series Deadlocks	4005 Strike



4016

Header Bolt

Security for pairs of doors with single key turn is possible with the 4016 Header Bolt. The two-point locking solution secures the entire double door entrance when working in conjunction with an MS® Deadlock.

Function

Adding the 4016 Header Bolt to a pivoted bolt MS® deadlock provides Maximum Security for pairs of doors with the turn of a single key. Simultaneously extending the stainless steel hexbolts into the header and pivoting the massive MS® bolt into the mating door's stile, the two-point locking solution secures the entire entrance. The 4016 Header Bolt can be added to any basic MS1850S, MS1850SN, MS1950 Series deadlock or for two-points top and bottom use with 1870/1870HM Cylinder-Operated Flushbolt. Not applicable to 7/8" backset locks.

Both the 4016 Header Bolt and the 4015 Threshold Bolt may be added to a pivoted bolt MS® deadlock to provide Maximum Security for pairs of doors by the turn of a single key. Simultaneously extending the stainless steel hexbolts into the header and threshold and pivoting the massive MS® bolt into the mating door's stile, thereby providing a three-point locking solution.

Operation

360° turn of key or thumbturn in basic MS® deadlock throws counterbalanced bolt into opposite door and hexagonal bolt into header. Key can be removed only when bolts are in a positively locked or unlocked position.

Features

Door Height

Select 7' [2133.6 mm] or 10' [3048 mm] door height. The standard version is designed for 7' [2133.6 mm] door height, with cylinder height as low as 35" [889 mm].

Header Bolt

Hexagonal 3/8" [9.5 mm] flat to flat. Made of stainless steel.

Adjustment

Exact adjustment of threaded rod to door height is locked in place by hexagonal header bolt.

Strike

For header bolt, a 1/2" [12.7 mm] diameter hole in metal frame is suitable. For non-metal installation, 4005 Strike is available separately.

Standard Package

Packed separately with bolt guide, screws, and attachment pin.

Shipping Weight

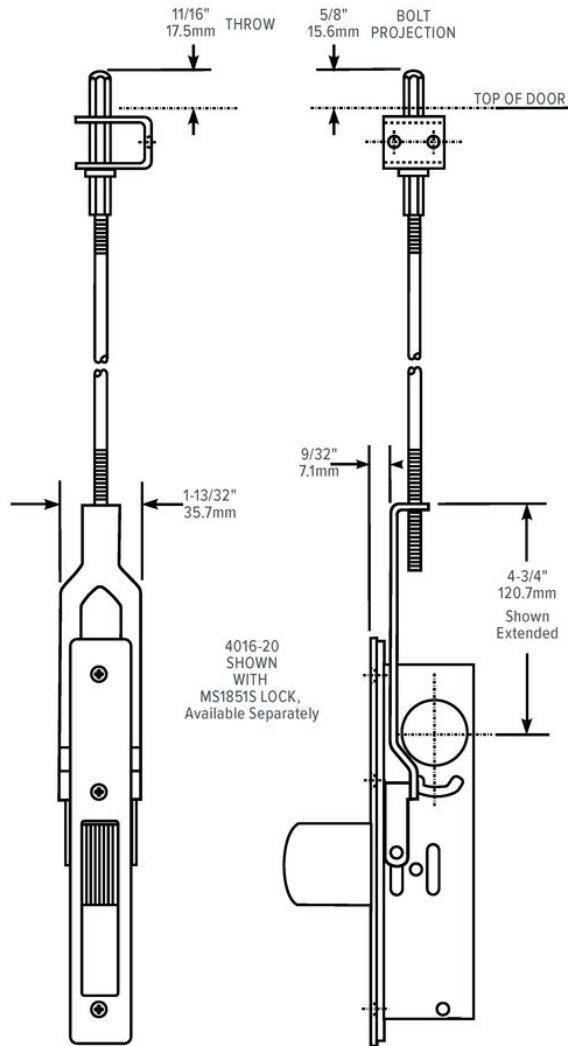
1 lb [0.45 kg].

Lock available separately

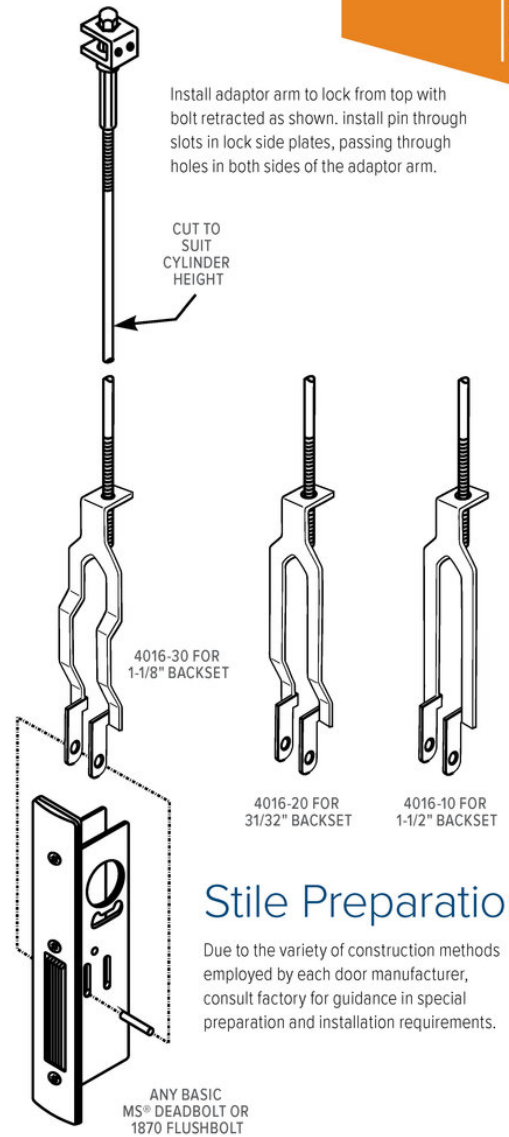


All measurements are approximate and are provided for informational purposes only. Refer to the product Installation Instructions.

Dimensions



Installation



Stile Preparation

Due to the variety of construction methods employed by each door manufacturer, consult factory for guidance in special preparation and installation requirements.

How to Order, Related & Compatible Products

4016 Header Bolt Specify quantity and the following information. Order related products separately.

MODEL	LOCK BACKSET	DOOR HEIGHT
4016	-30	-01
	10 1-1/2"	01 7" Door
	20 31/32"	02 10" Door
	30 1-1/8"	

RELATED

When purchasing this product, please consider the following related products, available separately:

ACCESSORIES
4015 Threshold Bolt, 4085 Header Bolt

COMPATIBLE

DEADLOCKS	FLUSHLOCKS	ACCESSORIES
MS1850S, MS1850S-050, MS1850SN, MS1850SN-050, MS1950, MS1950-050 Series Deadlocks Not applicable to 7/8" backset locks.	1870, 1870HM Series Cylinder-Operated Flushbolts	4005 Strike