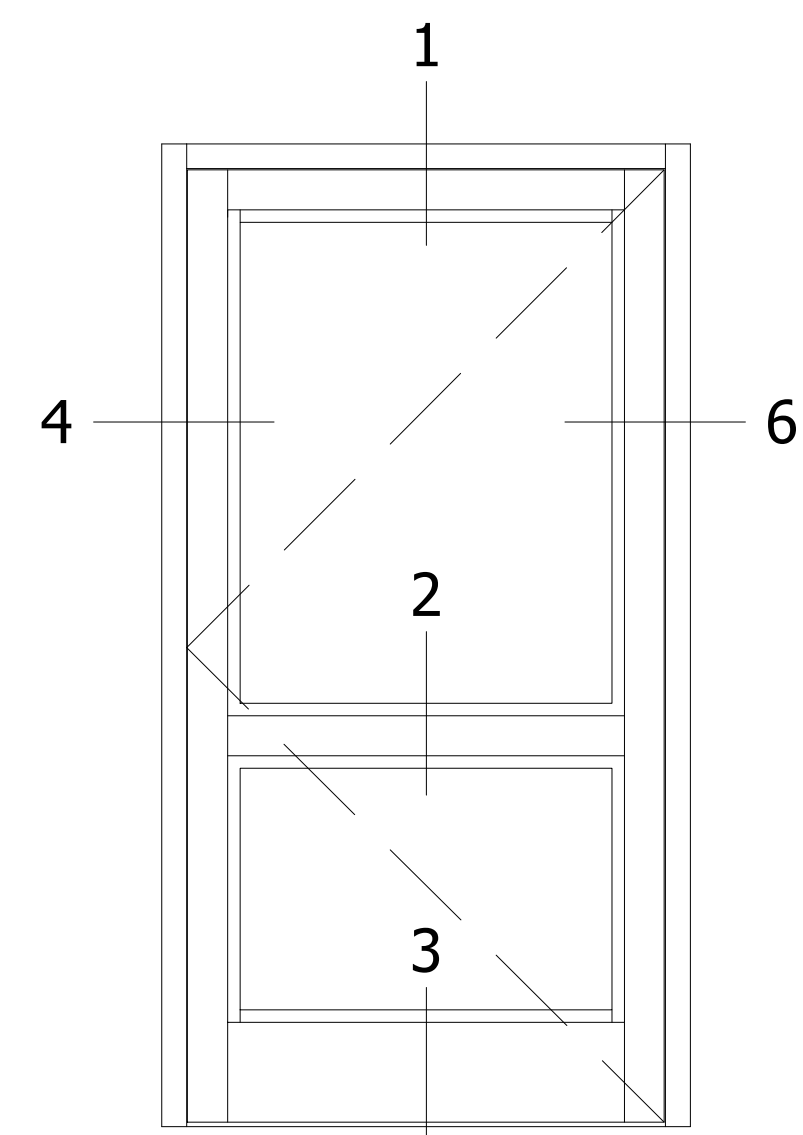
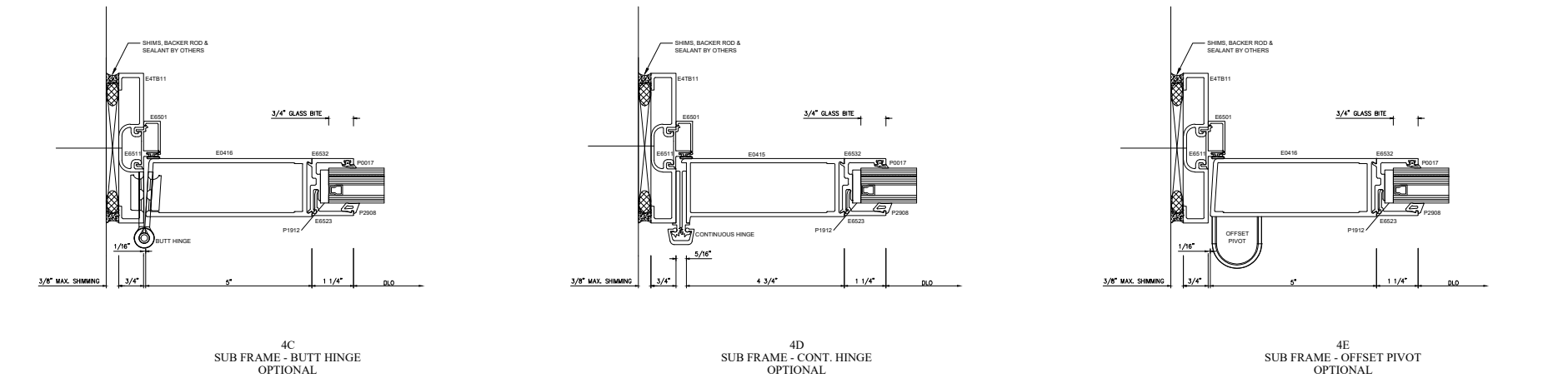
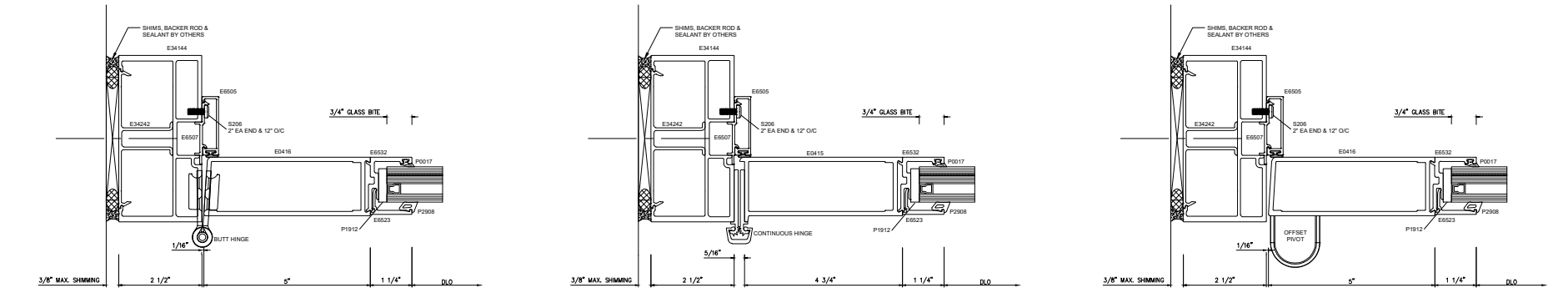
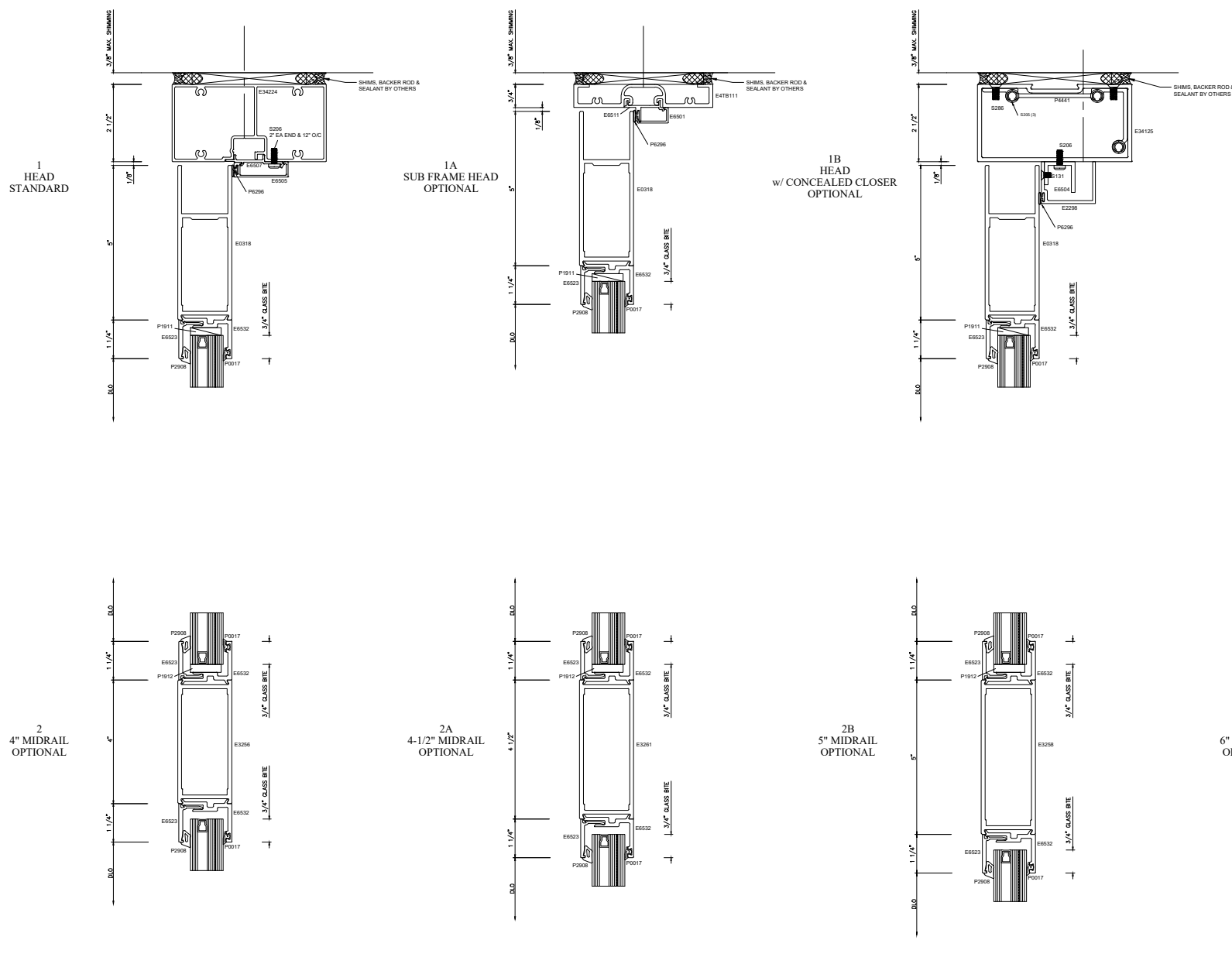
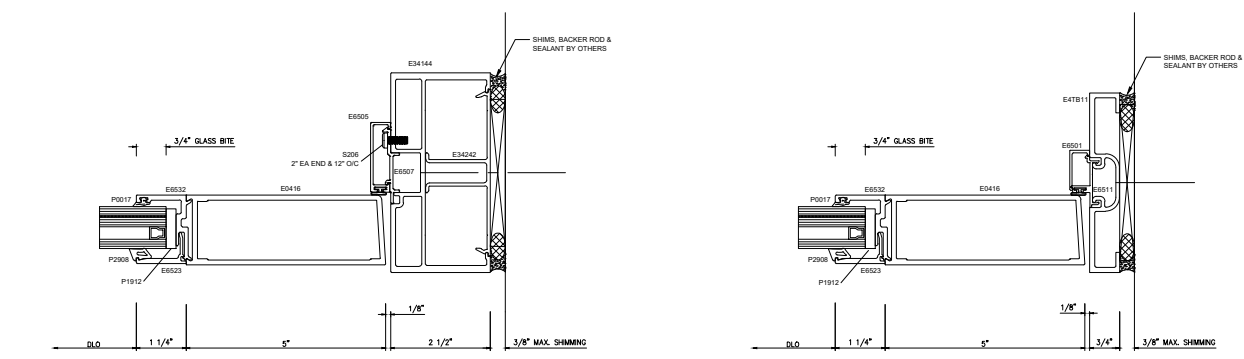
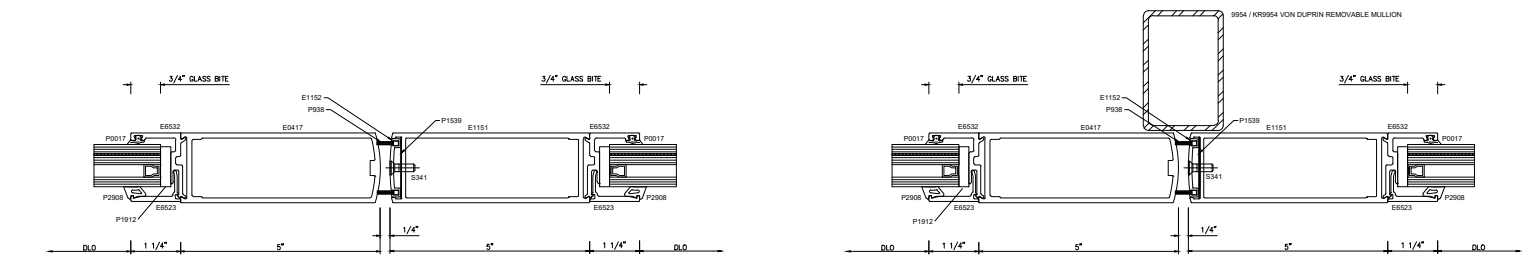
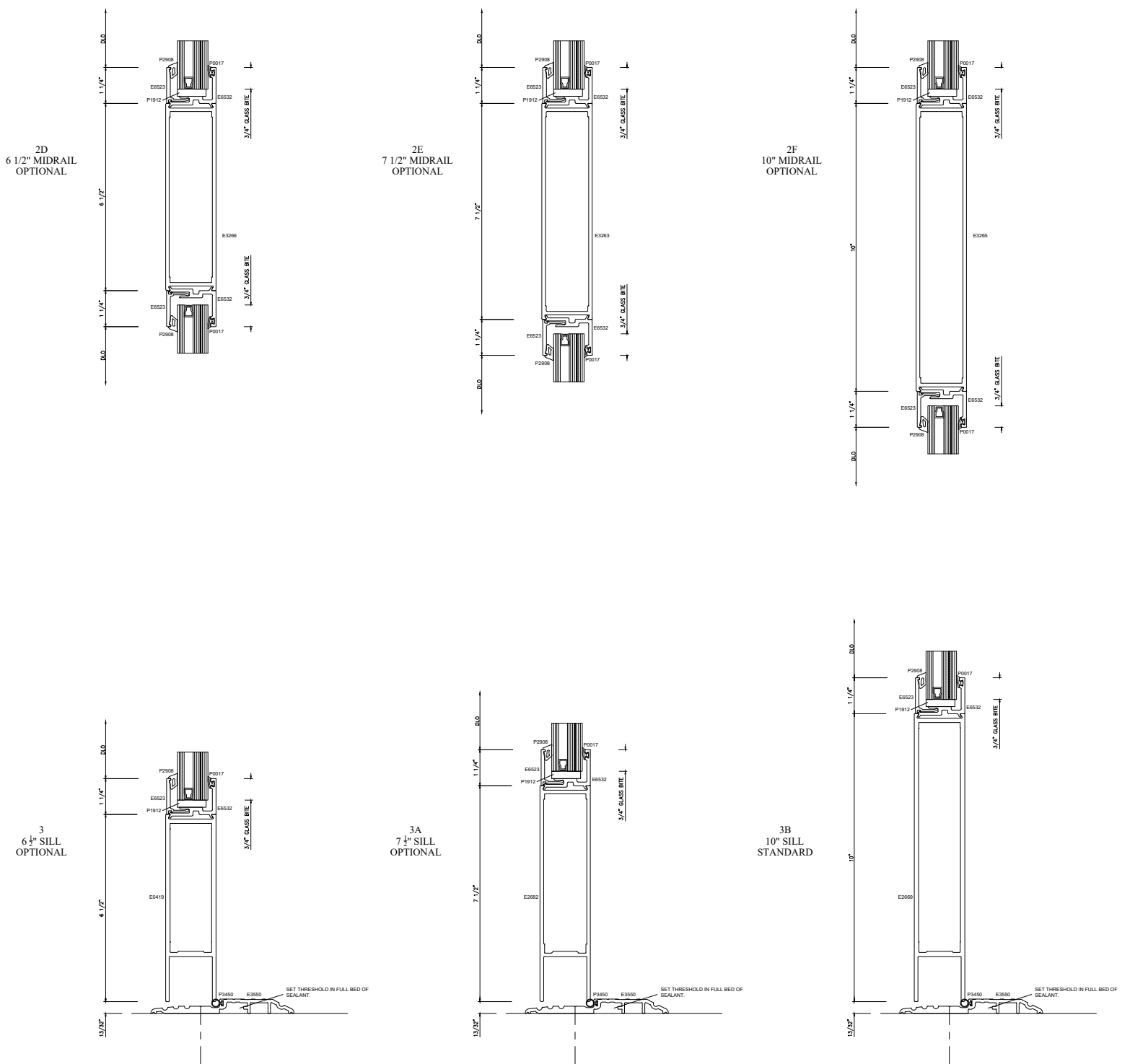


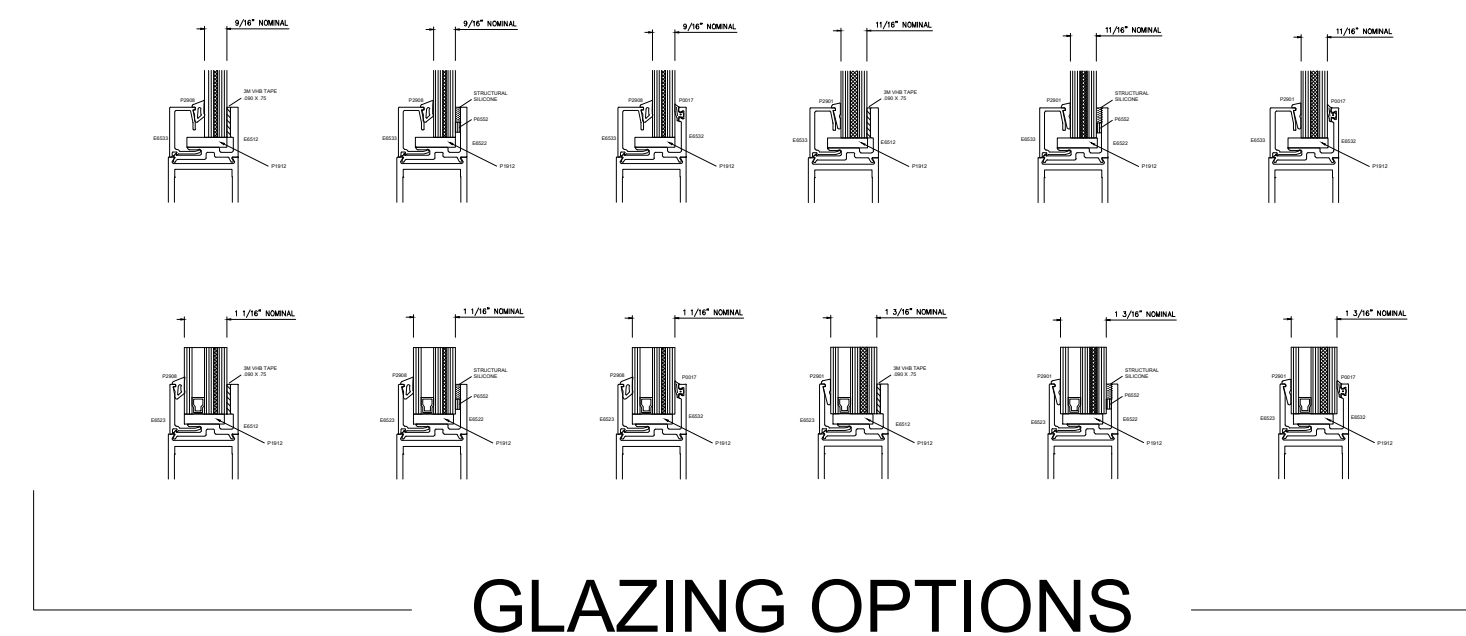
TYPICAL ELEVATION



TYPICAL ELEVATION



FORCEFRONT STORM  
WIND ZONE 3 STANDARD WIDE STILE ENTRANCES



General Note:  
Refer to Tubelite's Florida Product Approval documents for limitations on configurations, sizes, hardware, glass/glazing options and anchorage information.

**TUBELITE**<sup>®</sup>  
**DEPENDABLE**  
LEADERS IN ECO-EFFICIENT STOREFRONT,  
CURTAINWALL AND ENTRANCE SYSTEMS

Last Revised: 10-31-2019