

Standard Wide Stile Entrances

Our Standard Wide Stile Entrances are designed for moderate to heavy use in commercial applications. Standard Wide Stile has 5" vertical stiles and top rail, and 6-1/2" bottom rail – optional up to 10" for ADA compliance. The smooth design of Tubelite's door hardware features a convenient pull handle and push bar with lock location 36" above the finished floor.

Durable Tie-Rod Construction

The strength and flexibility of steel tie-rod construction is what holds it all together and makes our doors endure. Tie-rod assembly is as durable as welded corner construction, but superior in many ways. Tubelite doors can be modified, disassembled or resized right in the field. No other door offers you this much strength and flexibility.



**400 Series
Curtainwall**

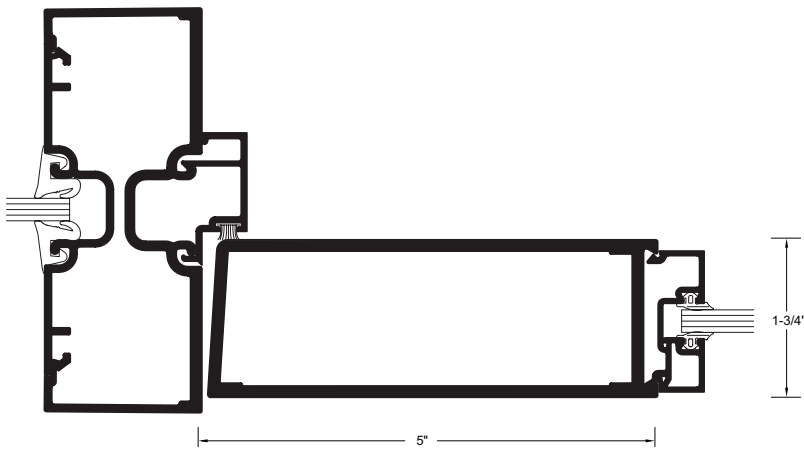
**ALSO
USED
WITH**

**14000 Series
Storefront**

TUBELITE[®]
DEPENDABLE

LEADERS IN ECO-EFFICIENT STOREFRONT,
CURTAINWALL AND ENTRANCE SYSTEMS

Standard Wide Stile Entrances



System Features:

- Standard 5" (127mm) sight line on verticals and top rail
- Deadbolt lock
- 1" dia. push bar and offset pull handle
- Standard infill options 1" (25.4mm), and 1/4" (6.35mm), other infills available
- 3'0" and 3'6" width single doors, 6'0" width pairs of doors
- 7'0" height door leaves

Optional Features:

- 6" (152.4mm) and 10" (254mm) bottom rails
- Mortised butt hinges, offset pivots, continuous hinges, center pivots
- Latch locks, cvr & rim panics, electric strikes
- Hardware by others
- 1-3/4" or 2" x 4-1/2" sight line frame member
- Intermediate horizontal or vertical mid-rails
- A wide variety of standard anodized and painted colors are available to complement any project with warrantied protection, as well as street appeal.
- Custom height and width doors

Note: Dimensions do not include 1/2" glass stops.

| Standard Entrance Series | Wide Stile |
|--------------------------------|--|
| Traffic | Heavy |
| Vertical Stile 1-3/4" x | 5" |
| Top Rail 1-3/4" x | 5" |
| Bottom Rail 1-3/4" x | 6-1/2" (opt. up to 10") |
| Maximum Sizes | Single: 4'0" x 9'0" Pair: 8'0" x 9'0" |

Standard Wide Series Product Specifications

Application: Public Buildings

Description: 5" vertical stiles and top rail, and 6-1/2" bottom rail – optional up to 10" for ADA compliance

| Glass: | Air Infiltration: | Structural: | U-Factor** Single Door: | U-Factor** Double Door: |
|-----------------------|------------------------------|--------------------------------------|-------------------------|-------------------------|
| 1" std (1/8" – 1") | 1.0 CFM / Ft.2 @ 1.57 PSF | 30 PSF – Design 45 PSF – Overload | Wide: 0.76 | Wide: 0.71 |

** U-Factor per NFRC 100: COG = 0.24 with warm edge spacer, 1-3/4" x 4-1/2" non-thermal frame.

Refer to the U-Factor table at: www.tubeliteinc.com/products/entrances/standard-wide/ for other glass makeups and configurations.

DISCLAIMER: Tubelite takes no responsibility for product selection or application, including, but not limited to, compliance with building codes, safety codes, laws, merchantability or fitness for a particular purpose; and further disclaims all liability for the use, in whole or in part, of this Technical Guide in preparation of project specifications and/or other documents. Technical Guides are subject to change at any time, without notice, and at Tubelite's sole discretion. ©2017 Tubelite Inc.

071420

TUBELITE®
DEPENDABLE

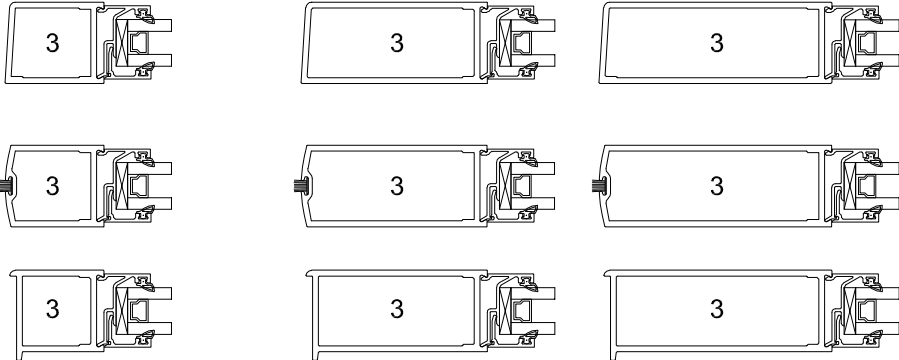
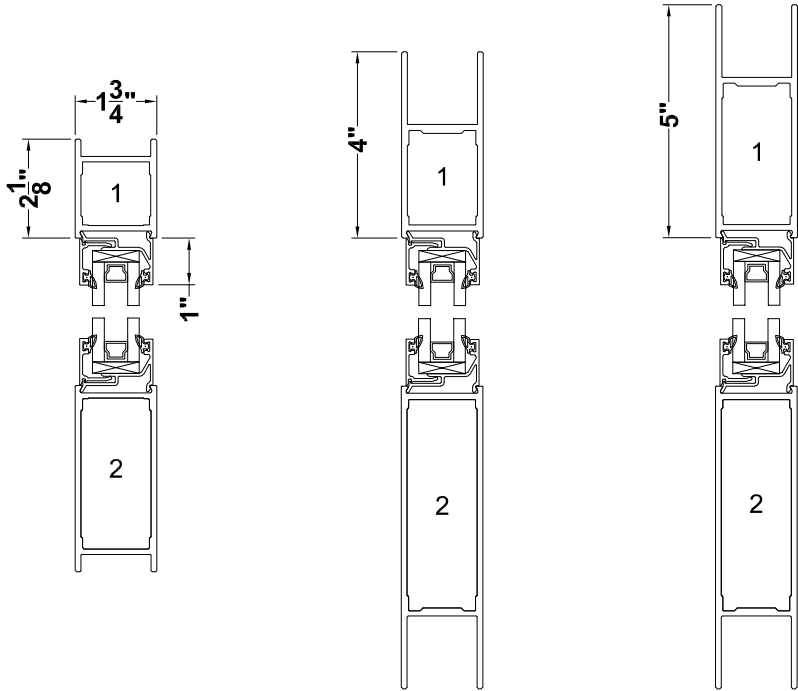
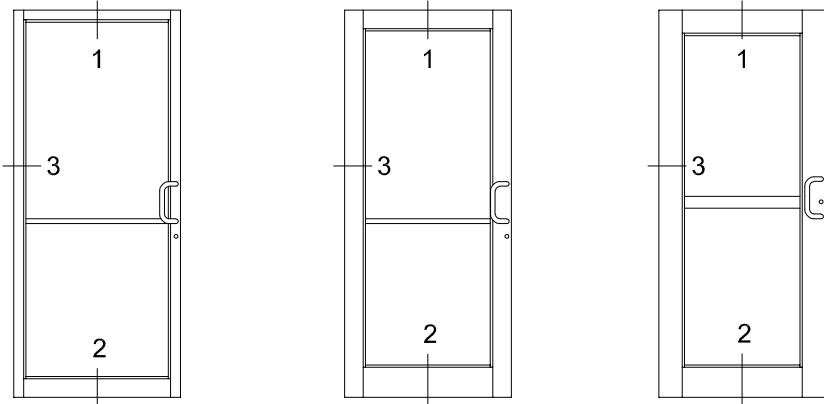
LEADERS IN ECO-EFFICIENT STOREFRONT,
CURTAINWALL AND ENTRANCE SYSTEMS

STANDARD ENTRANCES

Tubelite reserves the right to change system configuration without prior notice when deemed necessary for product improvements.

Laws and building & safety codes governing the design and use of glazed entrance, window and curtain wall systems vary widely. Tubelite does not control the selection of product configurations, operating hardware or glazing materials, and assumes no responsibility thereof.

Standard Details 1/4 scale

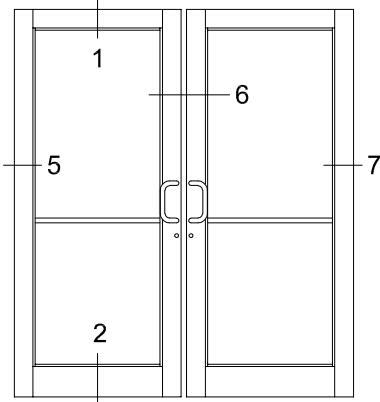
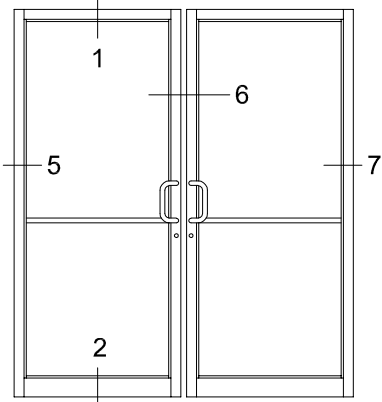


TUBELITE
DEPENDABLE
LEADERS IN ECO-EFFICIENT STOREFRONT,
CURTAINWALL AND ENTRANCE SYSTEMS

MARCH 2019

For specific product applications, contact your Tubelite representative.
Details on this page represent standard details found on our website.
For more options, visit our website at
www.tubeliteinc.com/narrow-stile-and-standard-stile/

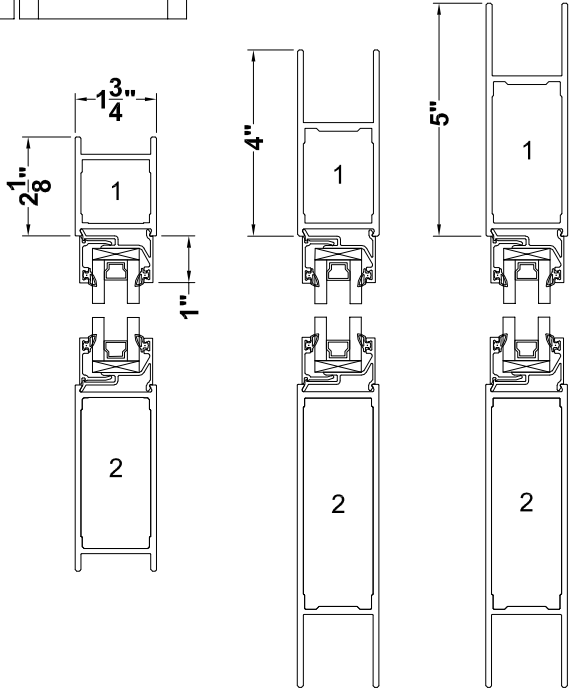
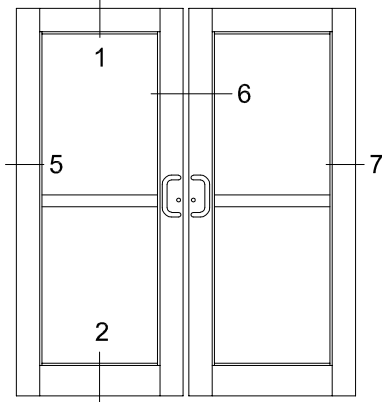
STANDARD ENTRANCES



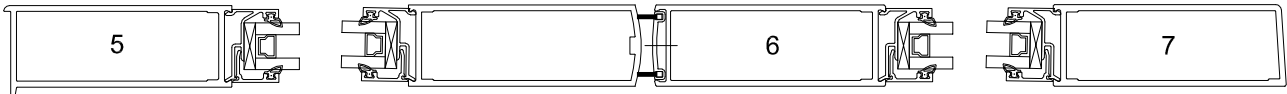
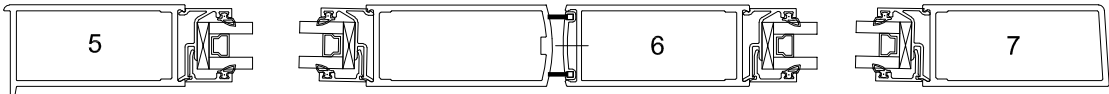
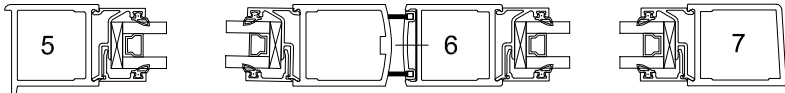
Tubelite reserves the right to change system configuration without prior notice when deemed necessary for product improvements.

Laws and building & safety codes governing the design and use of glazed entrance, window and curtain wall systems vary widely. Tubelite does not control the selection of product configurations, operating hardware or glazing materials, and assumes no responsibility thereof.

Standard Details
1/4 scale



REFER TO GLAZING AND DOOR STOP SECTION FOR GLASS STOP OPTIONS



MARCH 2019

TUBELITE[®]
DEPENDABLE
LEADERS IN ECO-EFFICIENT STOREFRONT,
CURTAINWALL AND ENTRANCE SYSTEMS

For specific product applications, contact your Tubelite representative.
Details on this page represent standard details found on our website.
For more options, visit our website at
www.tubeliteinc.com/narrow-stile-and-standard-stile/

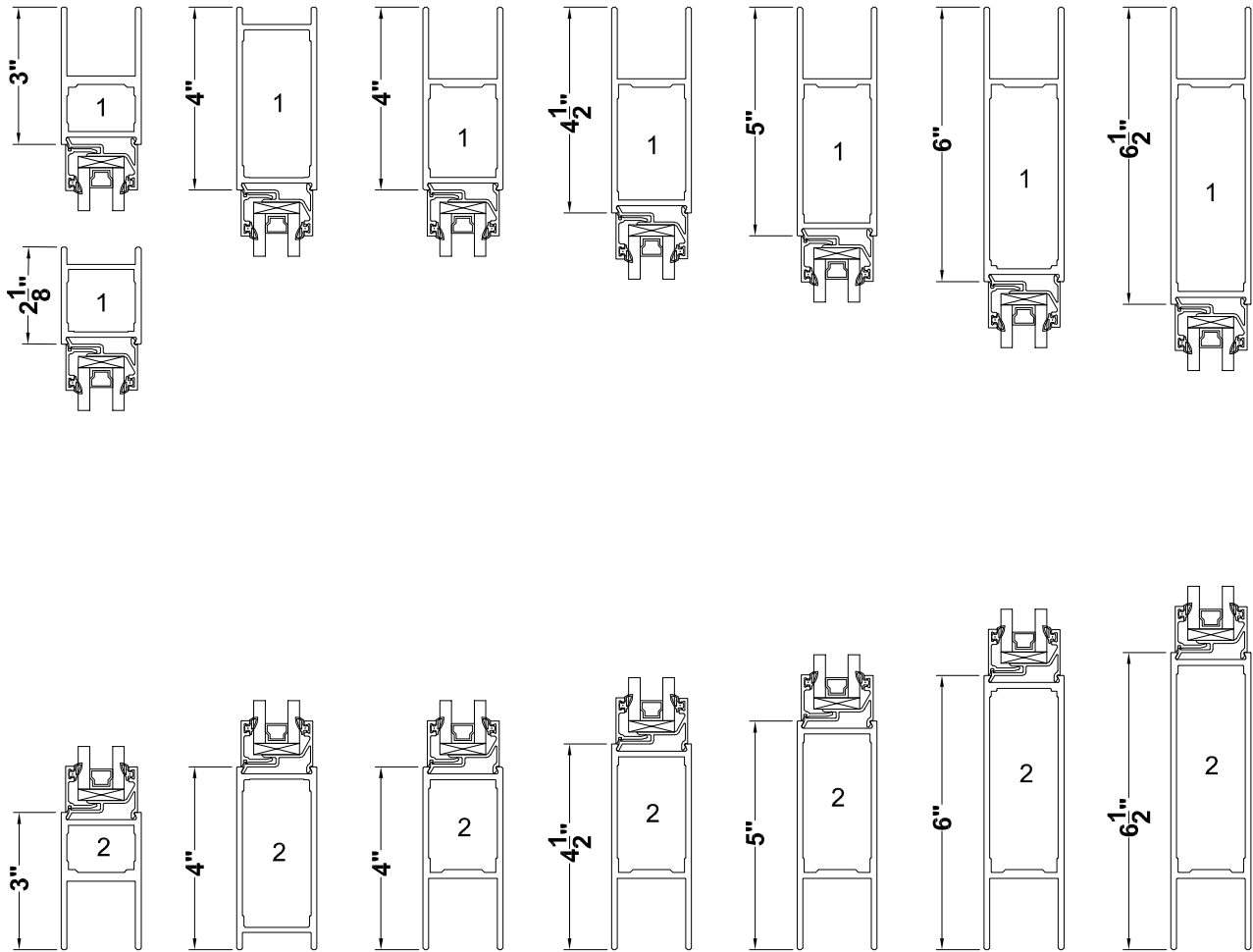
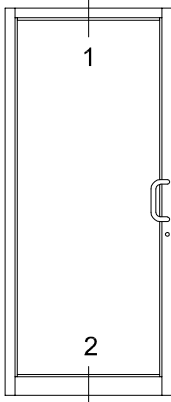
STANDARD ENTRANCES

Tubelite reserves the right to change system configuration without prior notice when deemed necessary for product improvements.

Laws and building & safety codes governing the design and use of glazed entrance, window and curtain wall systems vary widely. Tubelite does not control the selection of product configurations, operating hardware or glazing materials, and assumes no responsibility thereof.

Standard Rails 1/4 scale

REFER TO GLAZING AND DOOR STOP SECTION FOR GLASS STOP OPTIONS



TUBELITE®
DEPENDABLE
LEADERS IN ECO-EFFICIENT STOREFRONT,
CURTAINWALL AND ENTRANCE SYSTEMS

MARCH 2019

For specific product applications, contact your Tubelite representative.
Details on this page represent standard details found on our website.
For more options, visit our website at
www.tubeliteinc.com/narrow-stile-and-standard-stile/

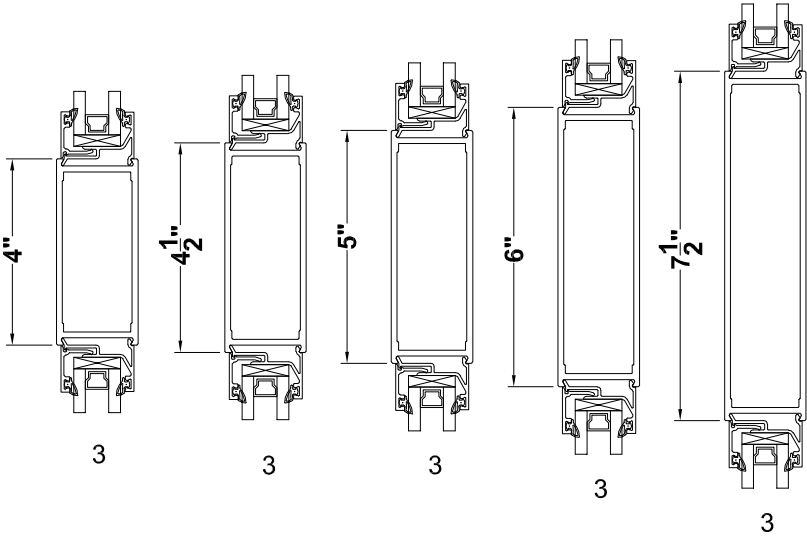
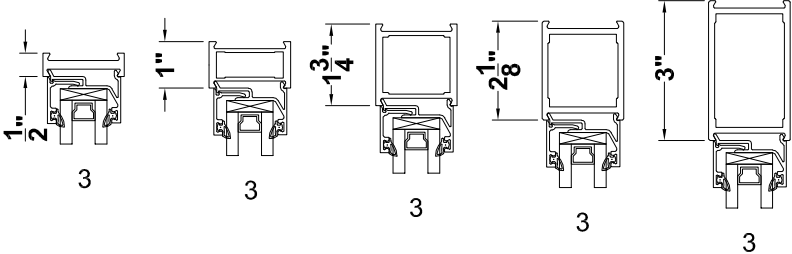
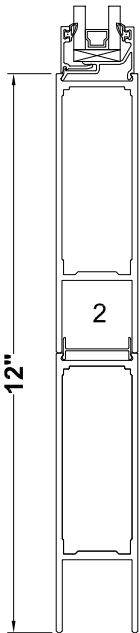
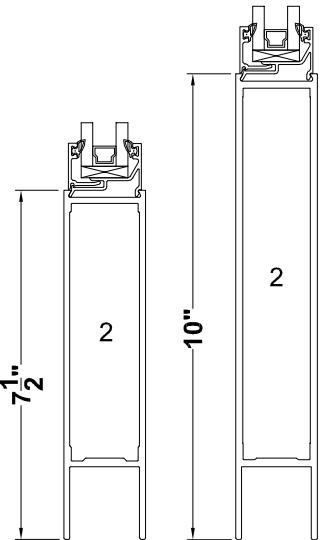
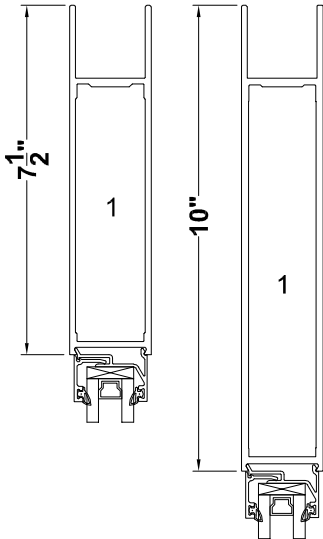
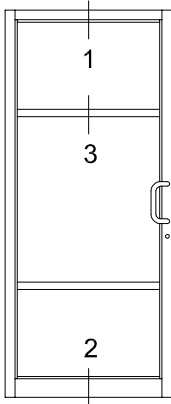
STANDARD ENTRANCES

Tubelite reserves the right to change system configuration without prior notice when deemed necessary for product improvements.

Laws and building & safety codes governing the design and use of glazed entrance, window and curtain wall systems vary widely. Tubelite does not control the selection of product configurations, operating hardware or glazing materials, and assumes no responsibility thereof.

Standard Rails & Midrails
1/4 scale

REFER TO GLAZING AND DOOR STOP SECTION FOR GLASS STOP OPTIONS



MARCH 2019

TUBELITE®
DEPENDABLE
LEADERS IN ECO-EFFICIENT STOREFRONT,
CURTAINWALL AND ENTRANCE SYSTEMS

For specific product applications, contact your Tubelite representative.
Details on this page represent standard details found on our website.
For more options, visit our website at
www.tubeliteinc.com/narrow-stile-and-standard-stile/