

200 Series Curtainwall

The 200 Series Curtainwall is an economical system with a wide range of low- to mid-rise applications including atriums and clerestory. This exterior-glazed pressure bar system with 2" face dimension is ideal for curving and compatible with all Tubelite entrances.

Snap-on cover finishes, available in a variety of colors, allow for contrasting interior and exterior finishes on exposed framing. Silicone-glazed verticals can be selected to provide a sleek uninterrupted surface.

Both our 200 and 400 Series Curtainwall systems are subjected to rigorous testing by an independent agency, ensuring that you get the highest quality curtainwall products that the industry has to offer.

*200 Curtainwall, T14000 I/O
Storefront, Medium Stile Doors,
Mountain Tech III, Lindon, UT
Photographer: Cache Valley
Photographers*



**Standard Narrow
Stile Entrances**



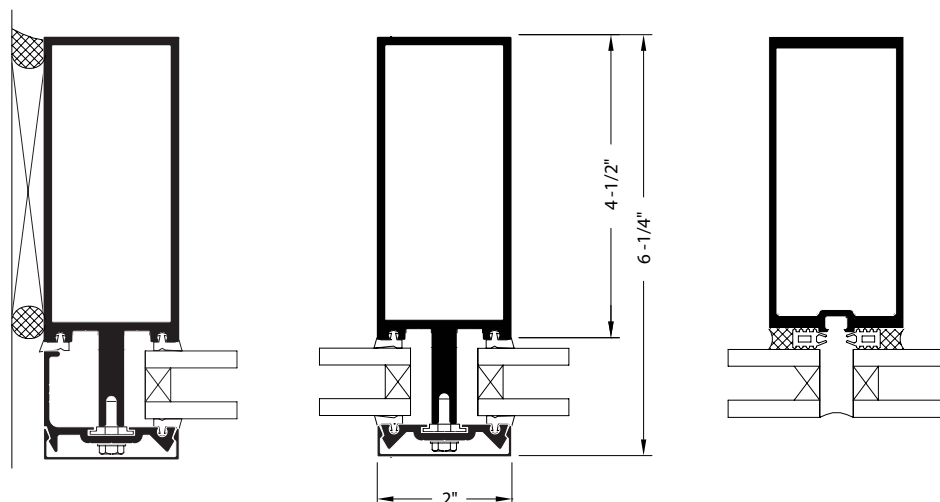
**14000 I/O Series
Multiplane
Storefront Framing**

**ALSO
USED
WITH**

TUBELITE®
DEPENDABLE

LEADERS IN ECO-EFFICIENT STOREFRONT,
CURTAINWALL AND ENTRANCE SYSTEMS

200 Series Curtainwall



System Features:

- Standard 4-1/8" (104.8mm) to 7-3/4" (196.9mm) depth systems
- 2" (50.8mm) sight line matches Tubelite storefront systems for insulated glass
- Outside glazed pressure-plate system available in captured and structural glazed configurations
- Standard infill option 1" (25.4mm), other infills available
- Thermally Improved using a continuous 1/8" (3.2mm) EPDM Isolator
- Can be shop-fabricated and shop-glazed for labor savings
- Silicone compatible glazing materials for long-lasting seals
- Captured & SSG inside and outside corners available

Optional Features:

- Steel reinforcing available
- Optional deep profile and bull nose covers available
- Silicone glazed intermediate verticals & horizontals available
- Easily integrates with Tubelite's, Entrances, 3700 and Phantom 5000 Insert Vents, Maxblock Sunshades, and aLuminate Light Shelves
- Deep and heavy-weight mullions available

200 Series Curtainwall Product Specifications

Application: Low and mid-rise commercial buildings including retail, office, healthcare, schools, etc.

Description: 2" x 4-1/4" to 7-3/4" field glazed, shear block construction curtainwall

Face Width:	Overall Depths:	Glass:	Air Infiltration:	Water Infiltration:	Structural:	U-Factor**:	CRF:	Acoustic:
2"	4-1/4" to 7-3/4"	1" (1/8" to 1")	0.06 CFM/Ft.2 @ 6.24 PSF	15 PSF – Static 15 PSF – Dynamic	60 PSF – Design 90 PSF – Overload	0.39 – Captured 0.32 – SSG	68	32 STC 26 OITC

** U-Factor per NFRC 100: COG = 0.24 with warm edge spacer, 1-3/4" x 4-1/2" non-thermal frame.

Refer to the U-Factor table at: www.tubeliteinc.com/products/curtainwall/200-series-curtainwall/ for other glass makeups and configurations.

DISCLAIMER: Tubelite takes no responsibility for product selection or application, including, but not limited to, compliance with building codes, safety codes, laws, merchantability or fitness for a particular purpose; and further disclaims all liability for the use, in whole or in part, of this Technical Guide in preparation of project specifications and/or other documents. Technical Guides are subject to change at any time, without notice, and at Tubelite's sole discretion. ©2018 Tubelite Inc.

092120

TUBELITE®

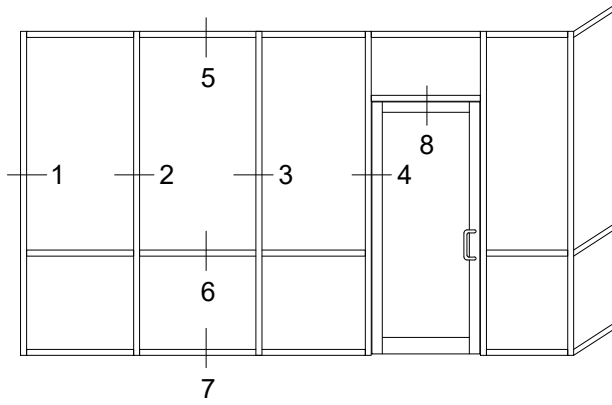
DEPENDABLE

LEADERS IN ECO-EFFICIENT STOREFRONT,
CURTAINWALL AND ENTRANCE SYSTEMS

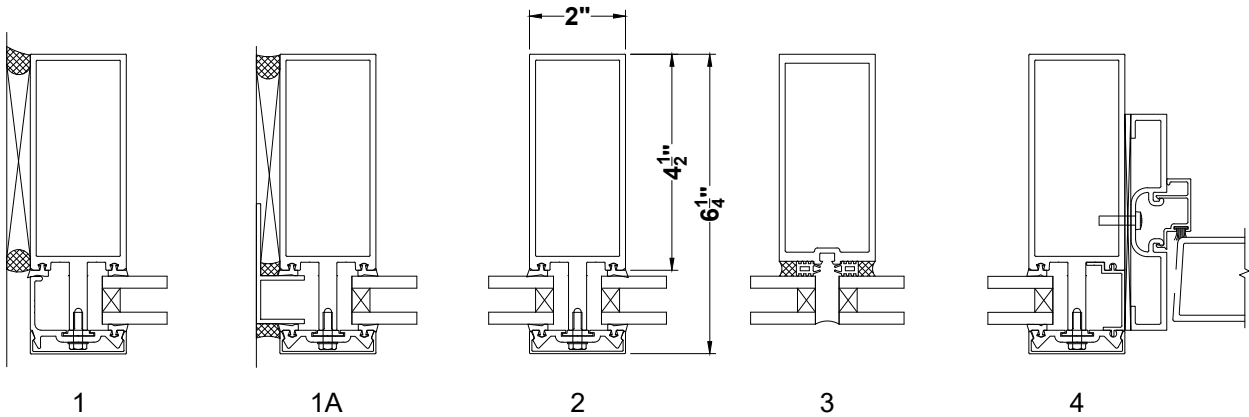
200CW CURTAINWALL

Tubelite reserves the right to change system configuration without prior notice when deemed necessary for product improvements.

Laws and building & safety codes governing the design and use of glazed entrance, window and curtain wall systems vary widely. Tubelite does not control the selection of product configurations, operating hardware or glazing materials, and assumes no responsibility thereof.



Standard Details 1/4 scale



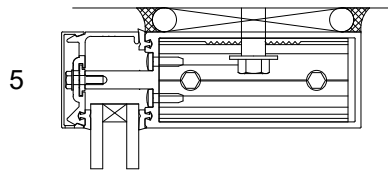
1

1A

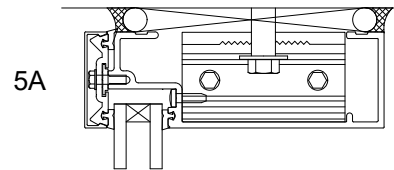
2

3

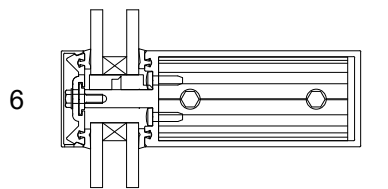
4



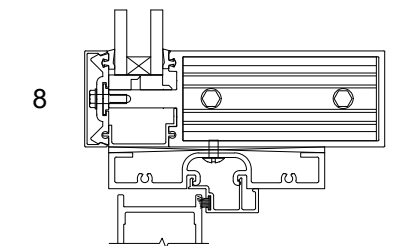
5



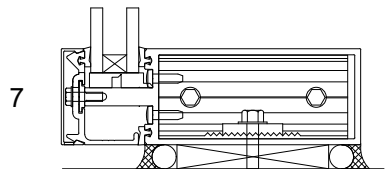
5A



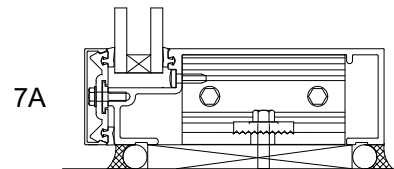
6



8



7



7A

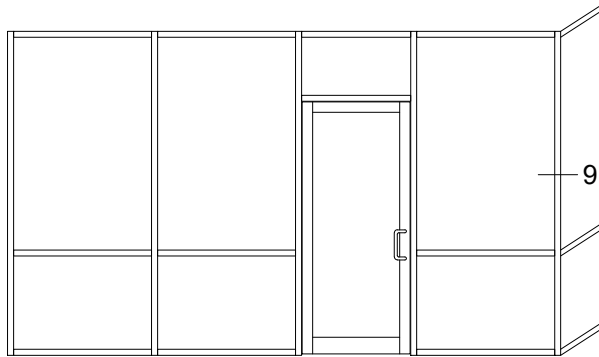
TUBELITE[®]

DEPENDABLE

LEADERS IN ECO-EFFICIENT STOREFRONT,
CURTAINWALL AND ENTRANCE SYSTEMS

December 2017

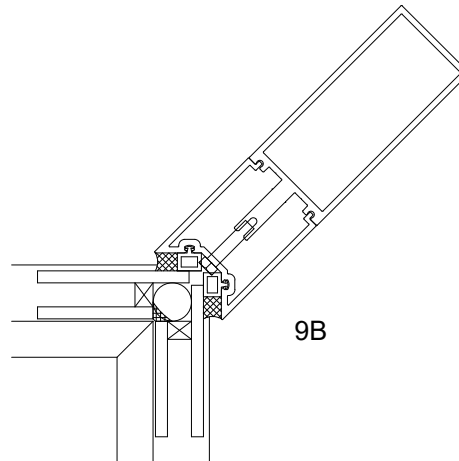
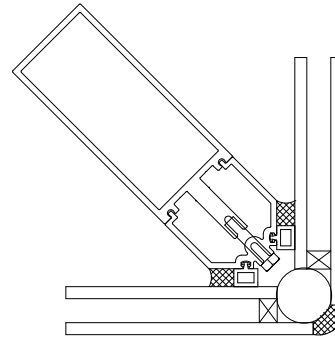
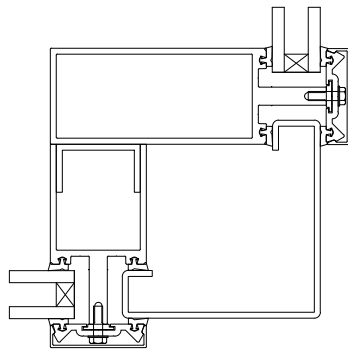
For specific product applications, contact your Tubelite representative.
Details on this page represent standard details found on our website.
For more options, visit our website at www.tubeliteinc.com/200-series-curtainwall/



Tubelite reserves the right to change system configuration without prior notice when deemed necessary for product improvements.

Laws and building & safety codes governing the design and use of glazed entrance, window and curtain wall systems vary widely. Tubelite does not control the selection of product configurations, operating hardware or glazing materials, and assumes no responsibility thereof.

Optional Details
1/4 scale



December 2017

TUBELITE®

DEPENDABLE

LEADERS IN ECO-EFFICIENT STOREFRONT,
CURTAINWALL AND ENTRANCE SYSTEMS

For specific product applications, contact your Tubelite representative.
Details on this page represent standard details found on our website.
For more options, visit our website at www.tubeliteinc.com/200-series-curtainwall/