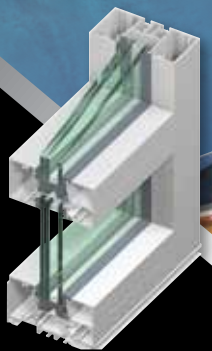




Standard Entrance Series Hurricane - Wind Zone 3

Tubelite's ForceFront® Standard Entrance doors are rated for hurricane impact and cycling per ASTM E1996, ASTM E1886, TAS 201, and TAS 203 with C, D, and E large missile options. Available in Medium and Wide Stile, single and double leafs and height up to 9' tall. Glass options include 9/16" and 11/16" laminated glass or 1-1/16" and 1-3/16" laminated-insulating glass with a wide variety of interlayer options. Glazing options include wet, dry, and VHB™ tape. Bottom rail options include 6-1/2", 7", and 10" and midrail options range from 4" to 10". Thresholds are ADA accessible and equipped with bulb weather seal gaskets to meet building code air infiltration requirements. Hinging options include mortised butt hinges, offset pivot hinges, and continuous gear hinge. Available rim panics, concealed vertical rod panics or deadbolt locks.

Integrates with Tubelite's ForceFront Storm Curtainwall and Storefront products.



ForceFront® Storm
T34000 Storefront



ForceFront® Storm
Curtainwall

ALSO
USED
WITH

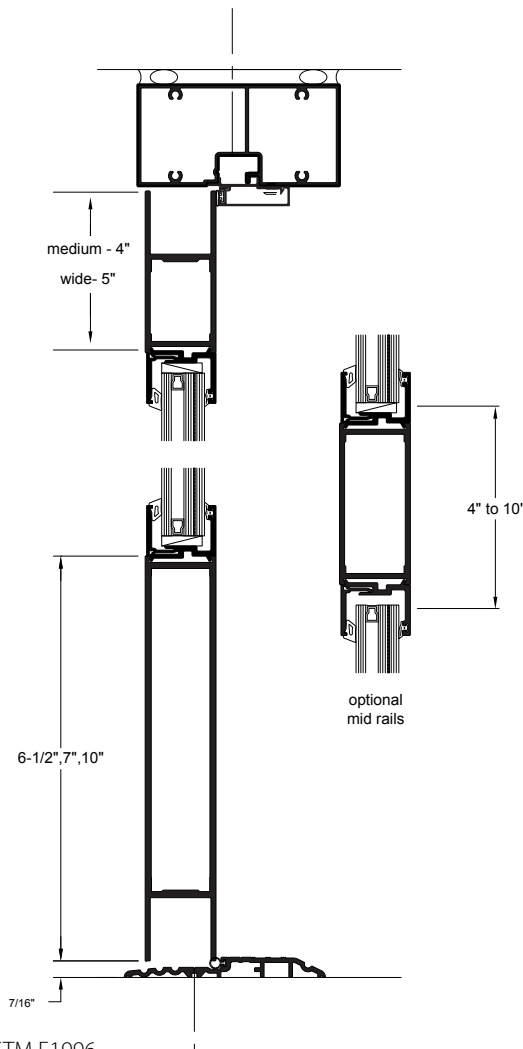
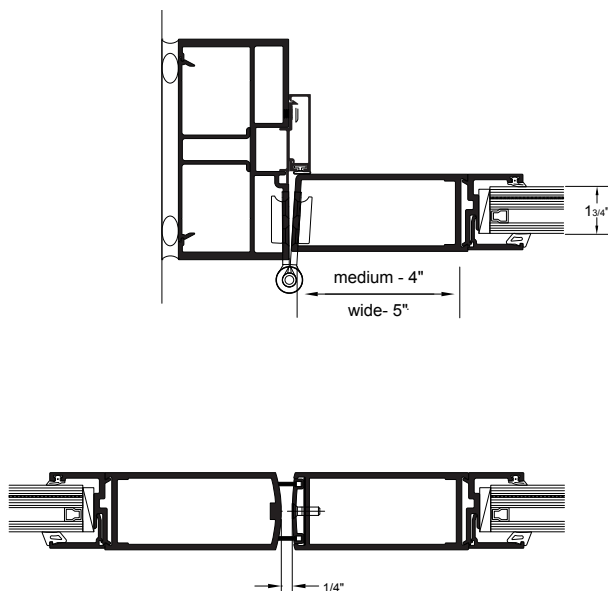
TUBELITE®

DEPENDABLE

LEADERS IN ECO-EFFICIENT STOREFRONT,
CURTAINWALL AND ENTRANCE SYSTEMS



Standard Entrance Series Hurricane - Wind Zone 3



System Features & Expected Performance:

- Designed for compliance with Wind Zone 3, Large Missile impact.
- Up to 70psf Design Pressure per TAS 202 and ASTM E330.
- Forced Entry Resistance per AAMA 1304.
- Large Missile Impact and cycling for C, D and E missile per TAS 201, TAS 203, and ASTM E1886 & ASTM E1996.
- Various thicknesses of Laminated and Insulating Laminated glass options.
- Dry Glazing, Structural Silicone Glazing and VHB Tape Glazing options.
- Many sill and mid rail options available

ForceFront® Storm Standard Stile Doors - Product Specifications

Application: Light to Medium traffic Office/Retail

Description: 4" wide by 1 3/4" depth vertical stiles

Max Size:	Test Pressure:	Outside HVHZ - Approved:	Impact Approval:	Florida Product Approved:	Texas Department of Insurance Approval:	Inside HVHZ - Approved:	Glass Types Tested:
Single up to 3'0" x 9'0" 4'0" x 8'0"	+/-70	Yes	Yes (Forced Entry)	Yes FL29696.2	Pending	No	C Missile 0.035" SentryGlas PVB
Pairs up to 6'0" x 9'0" 8'0" x 8'0"							D Missile 0.090" Saflex or SentryGlas PVB, or 0.075" Saflex/PET core
							E Missile 0.180" SentryGlas PVB, or 0.177" Saflex/PET core

DISCLAIMER: Tubelite takes no responsibility for product selection or application, including, but not limited to, compliance with building codes, safety codes, laws, merchantability or fitness for a particular purpose; and further disclaims all liability for the use, in whole or in part, of this Technical Guide in preparation of project specifications and/or other documents. Technical Guides are subject to change at any time, without notice, and at Tubelite's sole discretion. ©2015 Tubelite Inc.

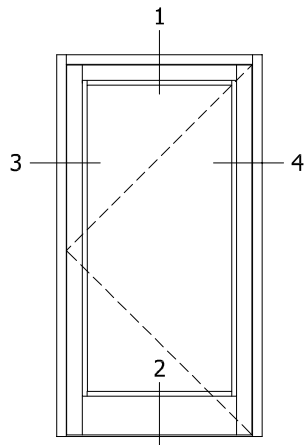
030120

TUBELITE®

DEPENDABLE

LEADERS IN ECO-EFFICIENT STOREFRONT,
CURTAINWALL AND ENTRANCE SYSTEMS

HI MEDIUM DOOR



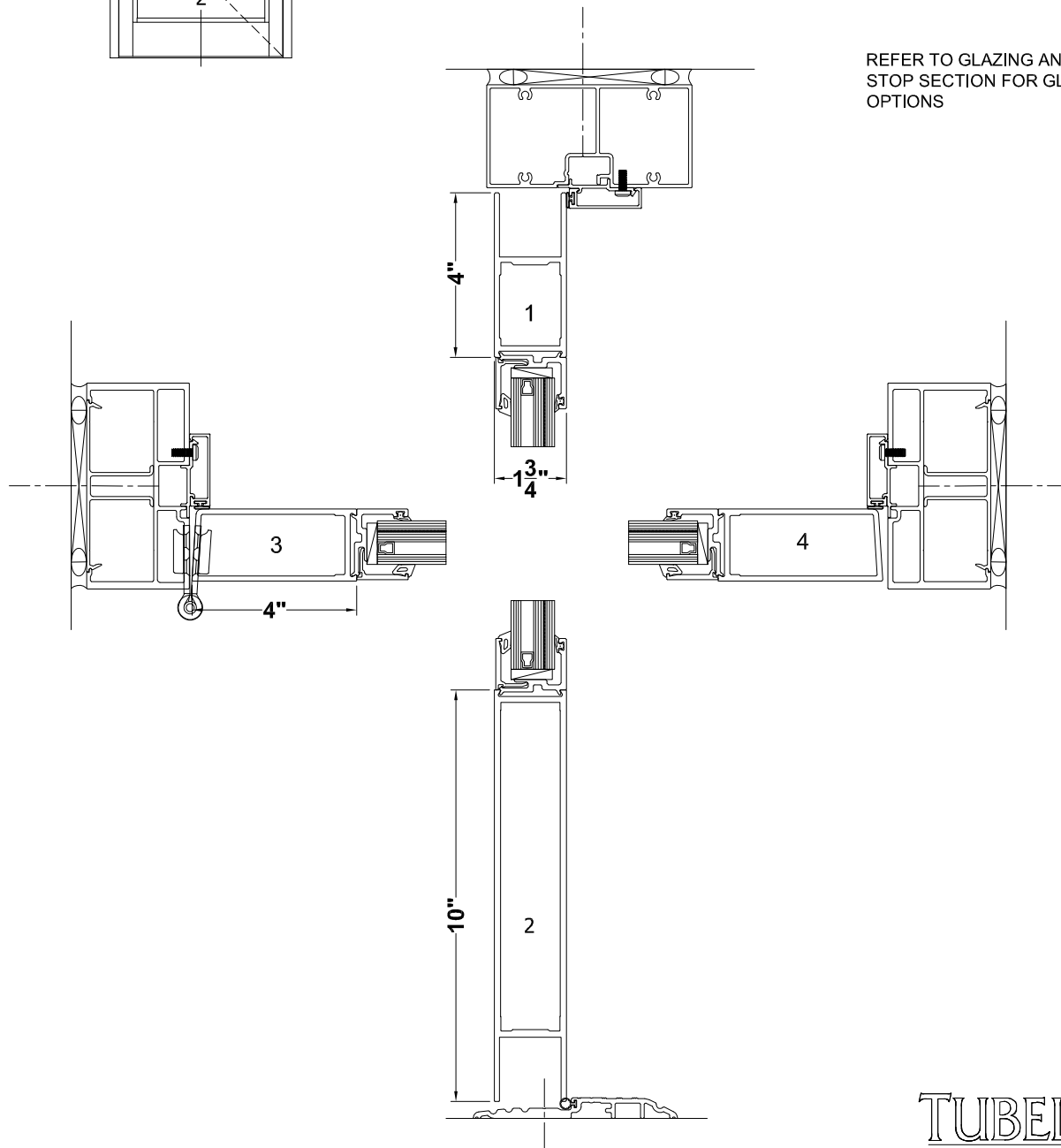
Tubelite reserves the right to change system configuration without prior notice when deemed necessary for product improvements.

Laws and building & safety codes governing the design and use of glazed entrance, window and curtain wall systems vary widely. Tubelite does not control the selection of product configurations, operating hardware or glazing materials, and assumes no responsibility thereof.

Standard Details

1/4 scale

REFER TO GLAZING AND DOOR STOP SECTION FOR GLASS STOP OPTIONS

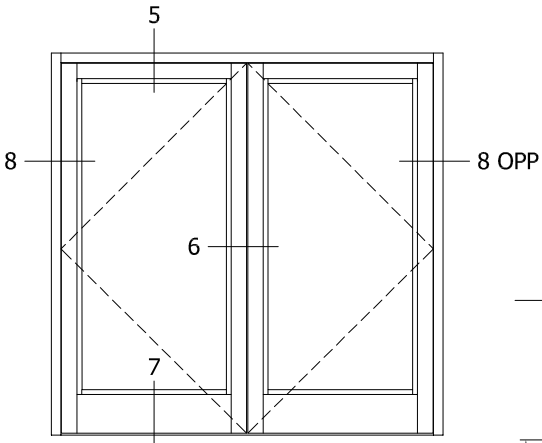


February 2020

TUBELITE®
DEPENDABLE
LEADERS IN ECO-EFFICIENT STOREFRONT,
CURTAINWALL AND ENTRANCE SYSTEMS

For specific product applications, contact your Tubelite representative.
Details on this page represent standard details found on our website.
For more options, visit our website at www.tubeliteinc.com/forcefront-storm-medium-stile-entrance

HI MEDIUM DOOR



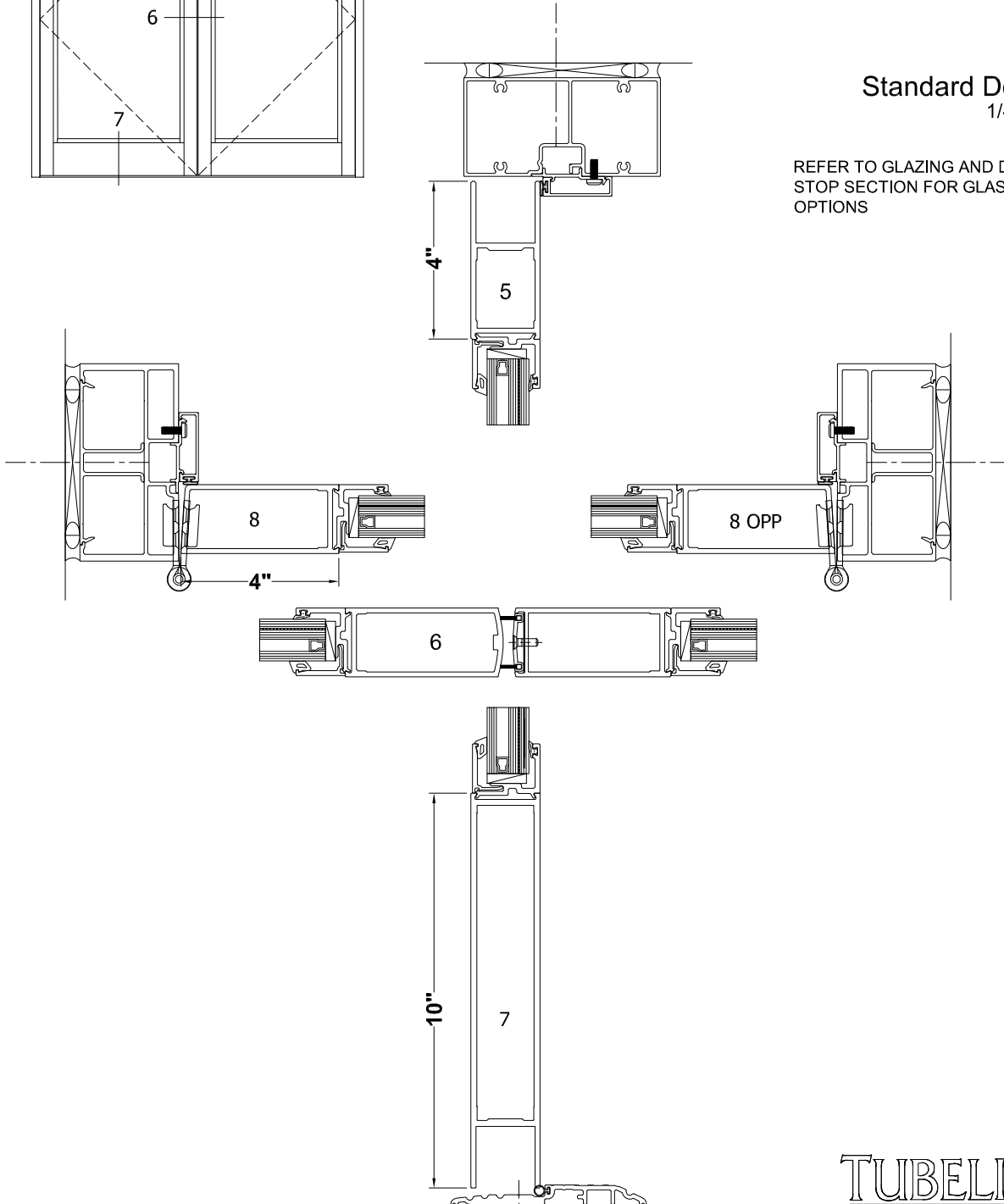
Tubelite reserves the right to change system configuration without prior notice when deemed necessary for product improvements.

Laws and building & safety codes governing the design and use of glazed entrance, window and curtain wall systems vary widely. Tubelite does not control the selection of product configurations, operating hardware or glazing materials, and assumes no responsibility thereof.

Standard Details

1/4 scale

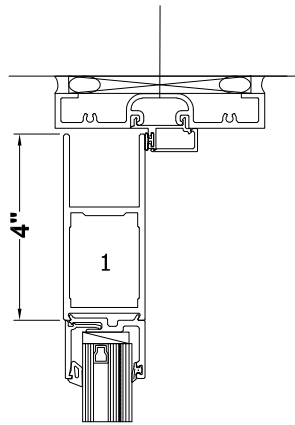
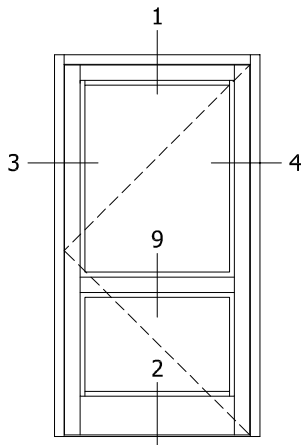
REFER TO GLAZING AND DOOR STOP SECTION FOR GLASS STOP OPTIONS



February 2020

TUBELITE®
DEPENDABLE
LEADERS IN ECO-EFFICIENT STOREFRONT,
CURTAINWALL AND ENTRANCE SYSTEMS

For specific product applications, contact your Tubelite representative.
Details on this page represent standard details found on our website.
For more options, visit our website at www.tubeliteinc.com/forcefront-storm-medium-stile-entrance

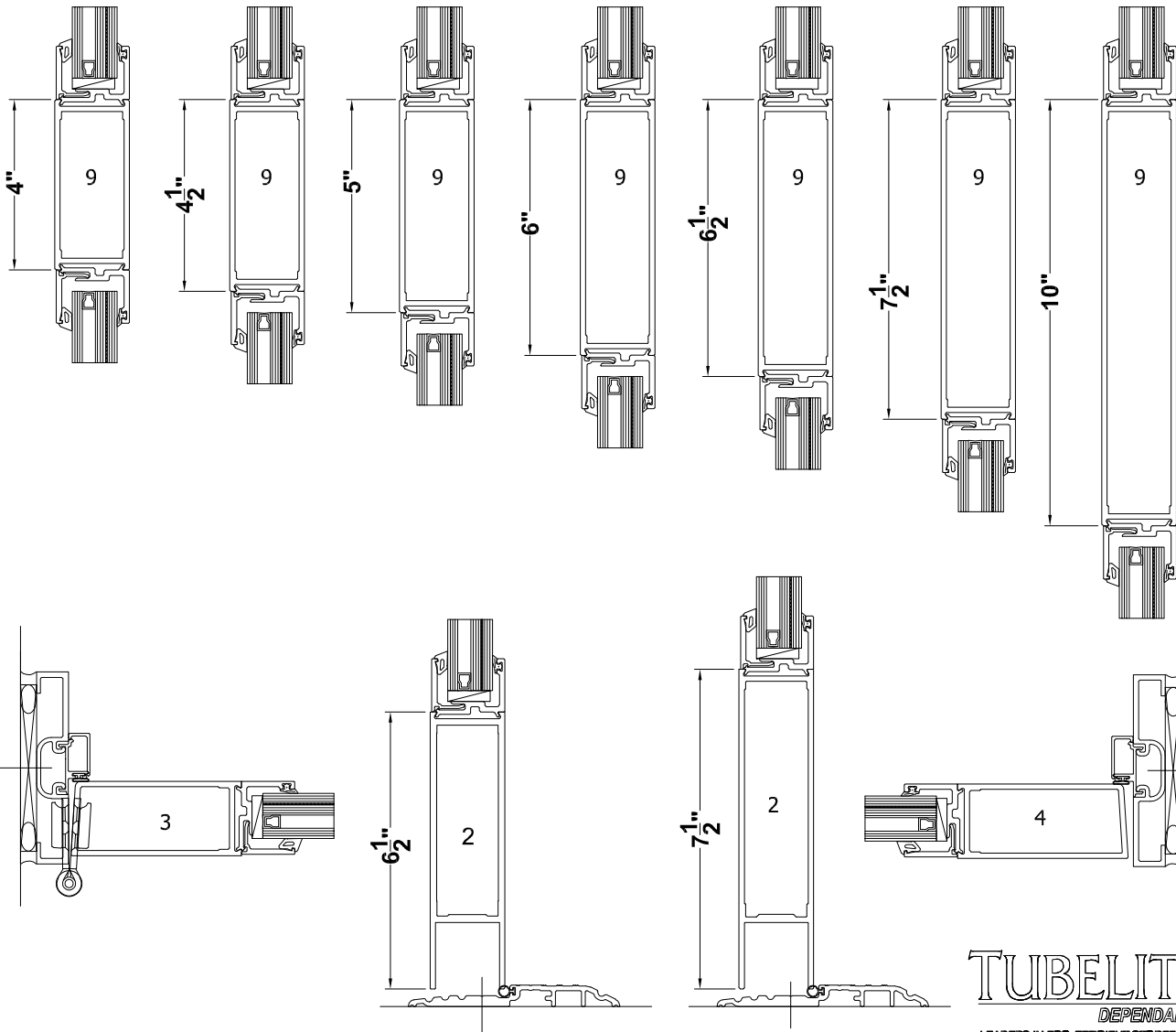


Tubelite reserves the right to change system configuration without prior notice when deemed necessary for product improvements.

Laws and building & safety codes governing the design and use of glazed entrance, window and curtain wall systems vary widely. Tubelite does not control the selection of product configurations, operating hardware or glazing materials, and assumes no responsibility thereof.

Optional Details
1/4 scale

REFER TO GLAZING AND DOOR STOP SECTION FOR GLASS STOP OPTIONS



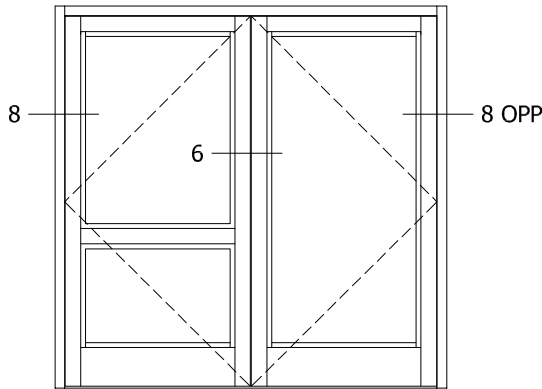
February 2020

TUBELITE®
DEPENDABLE
LEADERS IN ECO-EFFICIENT STOREFRONT,
CURTAINWALL AND ENTRANCE SYSTEMS

For specific product applications, contact your Tubelite representative.
Details on this page represent standard details found on our website.
For more options, visit our website at www.tubeliteinc.com/forcefront-storm-medium-stile-entrance

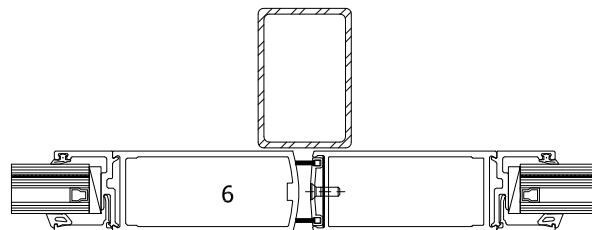
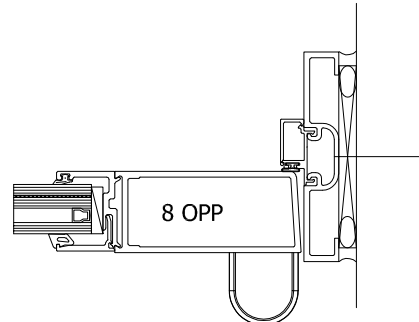
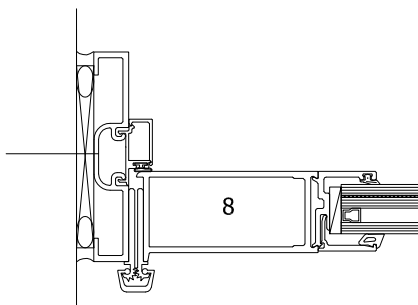
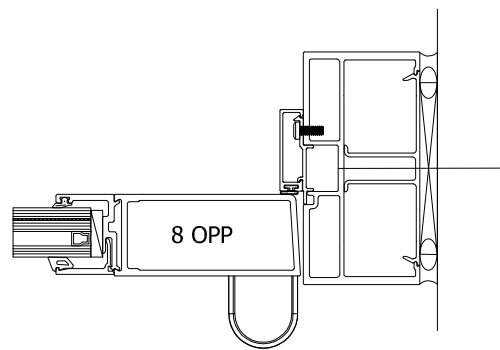
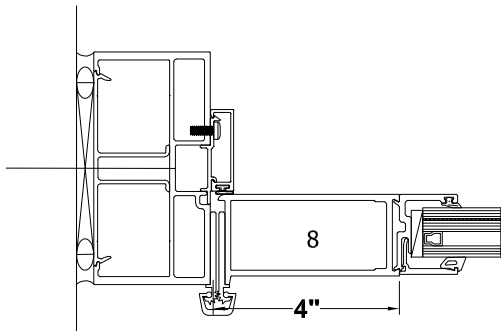
Tubelite reserves the right to change system configuration without prior notice when deemed necessary for product improvements.

Laws and building & safety codes governing the design and use of glazed entrance, window and curtain wall systems vary widely. Tubelite does not control the selection of product configurations, operating hardware or glazing materials, and assumes no responsibility thereof.



Optional Details
1/4 scale

REFER TO GLAZING AND DOOR STOP SECTION FOR GLASS STOP OPTIONS



TUBELITE®
DEPENDABLE
LEADERS IN ECO-EFFICIENT STOREFRONT,
CURTAINWALL AND ENTRANCE SYSTEMS

February 2020

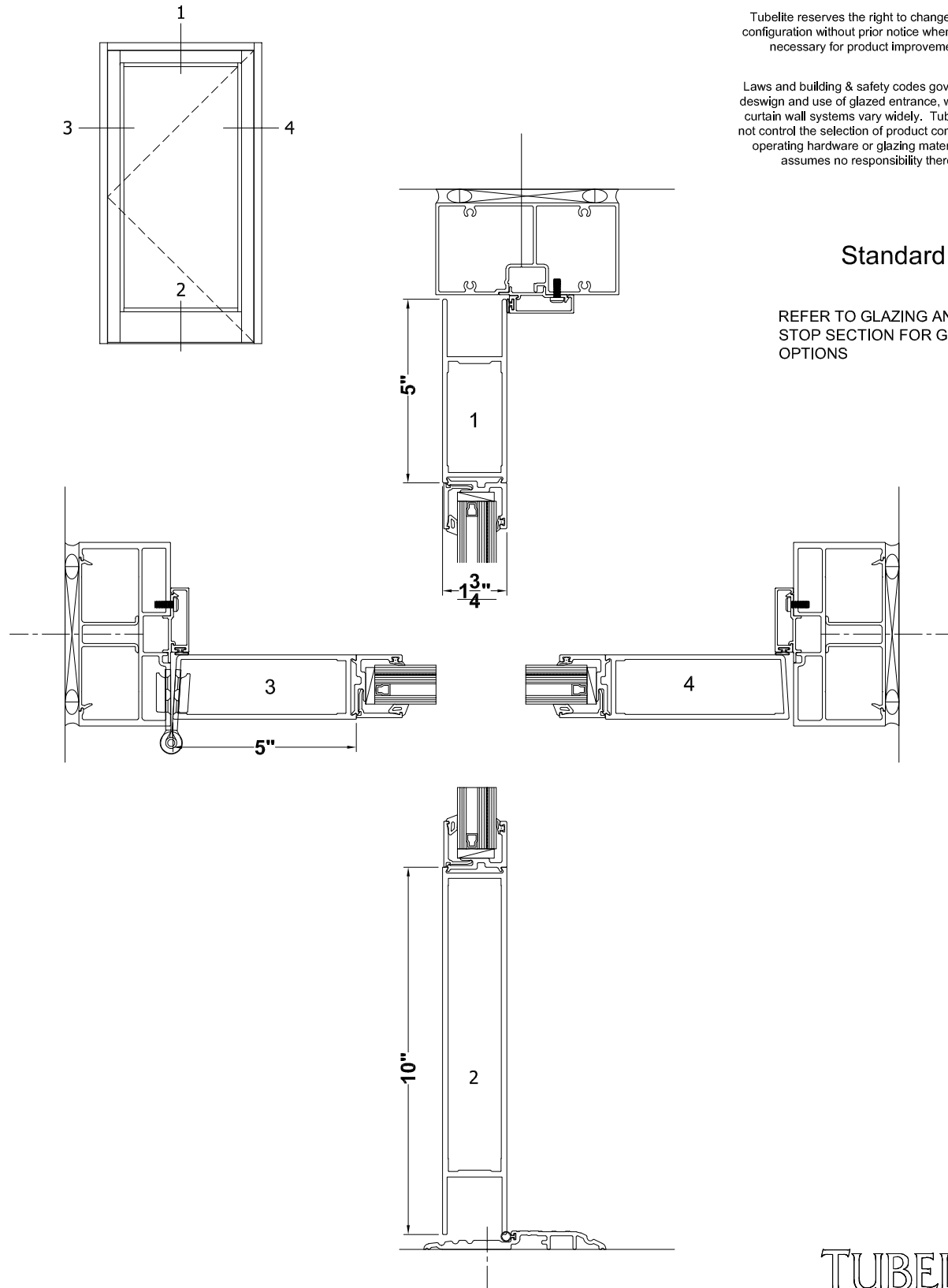
For specific product applications, contact your Tubelite representative.
Details on this page represent standard details found on our website.
For more options, visit our website at www.tubeliteinc.com/forcefront-storm-medium-stile-entrance

Tubelite reserves the right to change system configuration without prior notice when deemed necessary for product improvements.

Laws and building & safety codes governing the design and use of glazed entrance, window and curtain wall systems vary widely. Tubelite does not control the selection of product configurations, operating hardware or glazing materials, and assumes no responsibility thereof.

Standard Details
1/4 scale

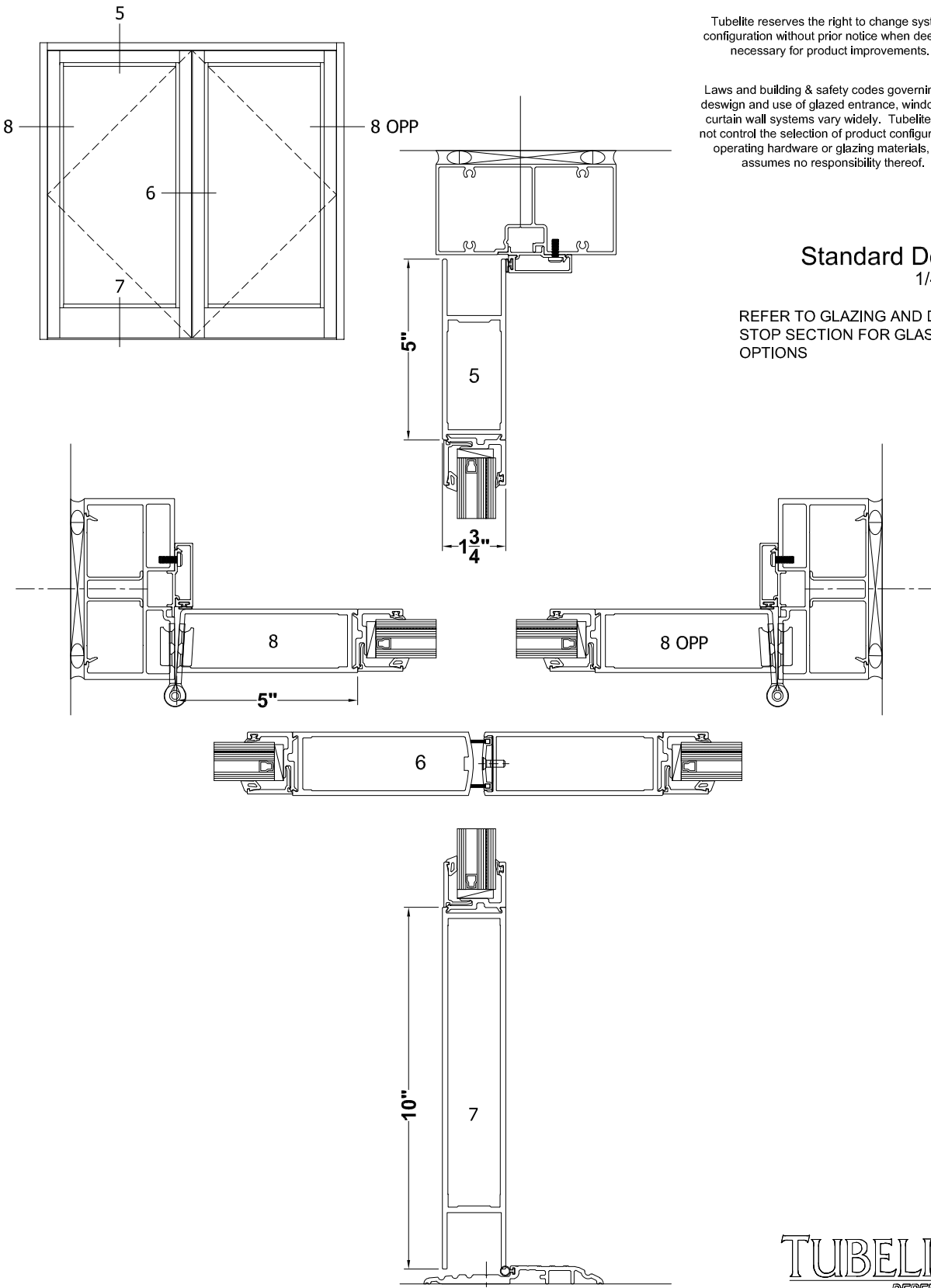
REFER TO GLAZING AND DOOR STOP SECTION FOR GLASS STOP OPTIONS



February 2020

TUBELITE®
DEPENDABLE
LEADERS IN ECO-EFFICIENT STOREFRONT,
CURTAINWALL AND ENTRANCE SYSTEMS

For specific product applications, contact your Tubelite representative.
Details on this page represent standard details found on our website.
For more options, visit our website at www.tubeliteinc.com/forcefront-storm-wide-stile-entrance



Tubelite reserves the right to change system configuration without prior notice when deemed necessary for product improvements.

Laws and building & safety codes governing the design and use of glazed entrance, window and curtain wall systems vary widely. Tubelite does not control the selection of product configurations, operating hardware or glazing materials, and assumes no responsibility thereof.

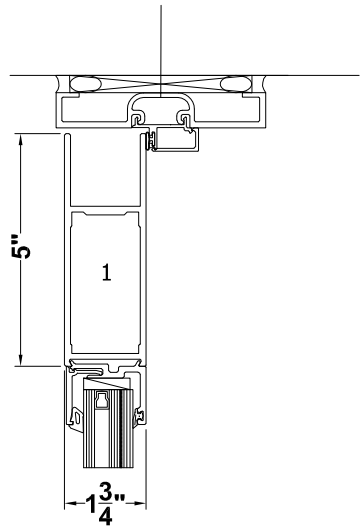
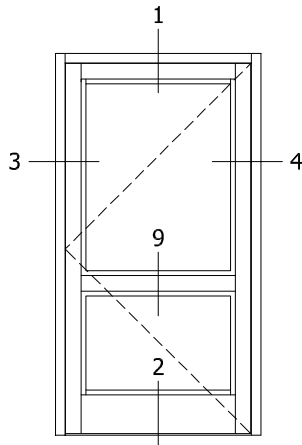
Standard Details 1/4 scale

REFER TO GLAZING AND DOOR STOP SECTION FOR GLASS STOP OPTIONS

TUBELITE®
DEPENDABLE
LEADERS IN ECO-EFFICIENT STOREFRONT,
CURTAINWALL AND ENTRANCE SYSTEMS

February 2020

For specific product applications, contact your Tubelite representative.
Details on this page represent standard details found on our website.
For more options, visit our website at www.tubeliteinc.com/forcefront-storm-wide-stille-entrance

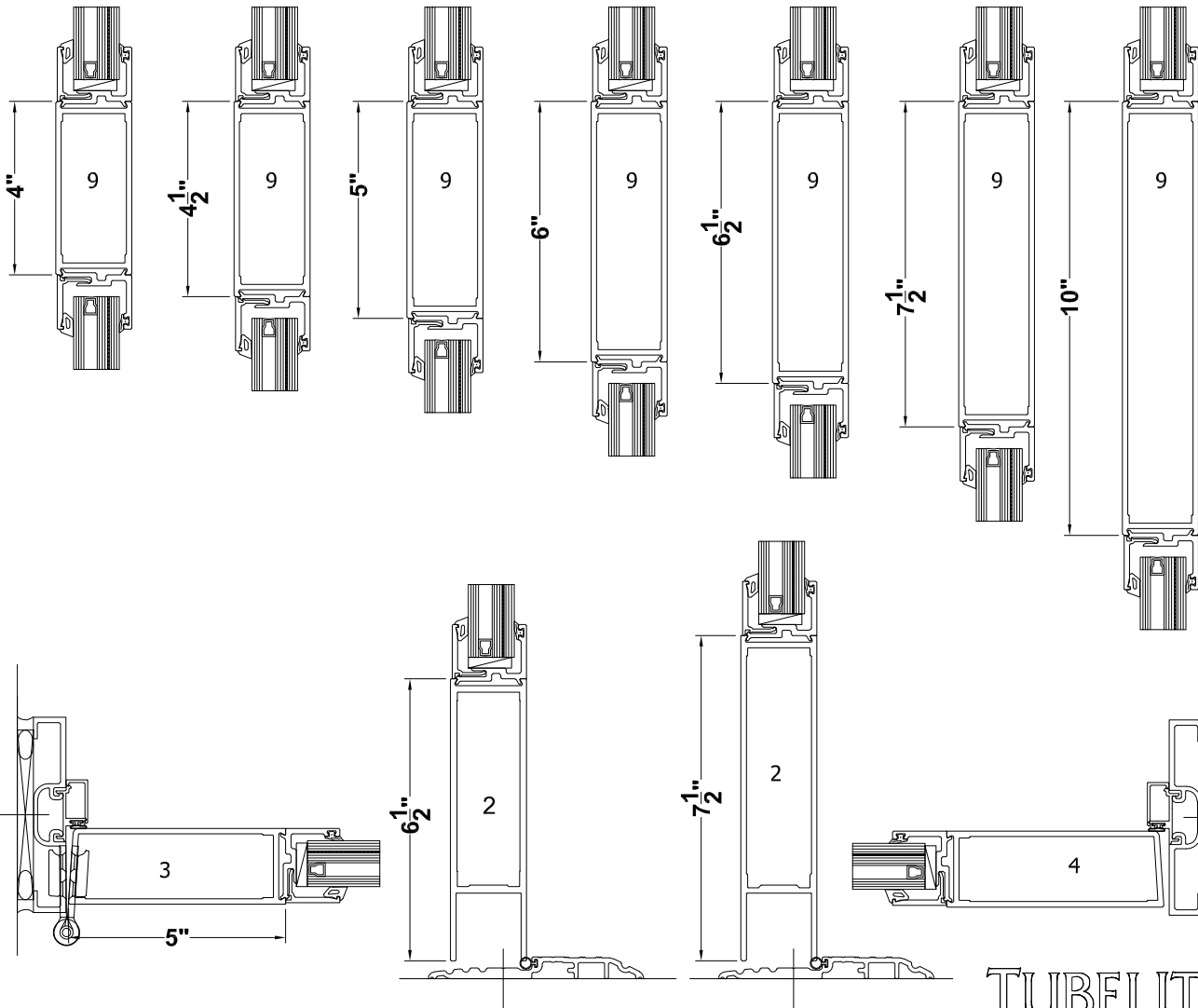


Tubelite reserves the right to change system configuration without prior notice when deemed necessary for product improvements.

Laws and building & safety codes governing the design and use of glazed entrance, window and curtain wall systems vary widely. Tubelite does not control the selection of product configurations, operating hardware or glazing materials, and assumes no responsibility thereof.

Optional Details
1/4 scale

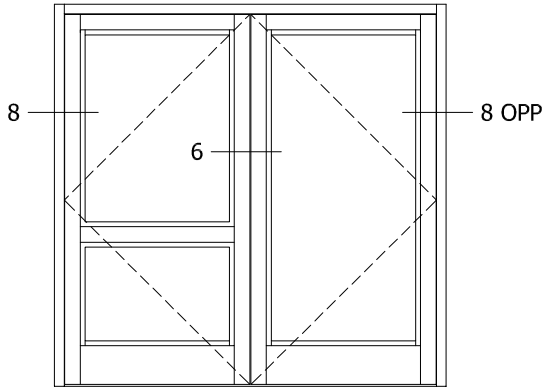
REFER TO GLAZING AND DOOR STOP SECTION FOR GLASS STOP OPTIONS



TUBELITE®
DEPENDABLE
LEADERS IN ECO-EFFICIENT STOREFRONT,
CURTAINWALL AND ENTRANCE SYSTEMS

February 2020

For specific product applications, contact your Tubelite representative.
Details on this page represent standard details found on our website.
For more options, visit our website at www.tubeliteinc.com/forcefront-storm-wide-stille-entrance

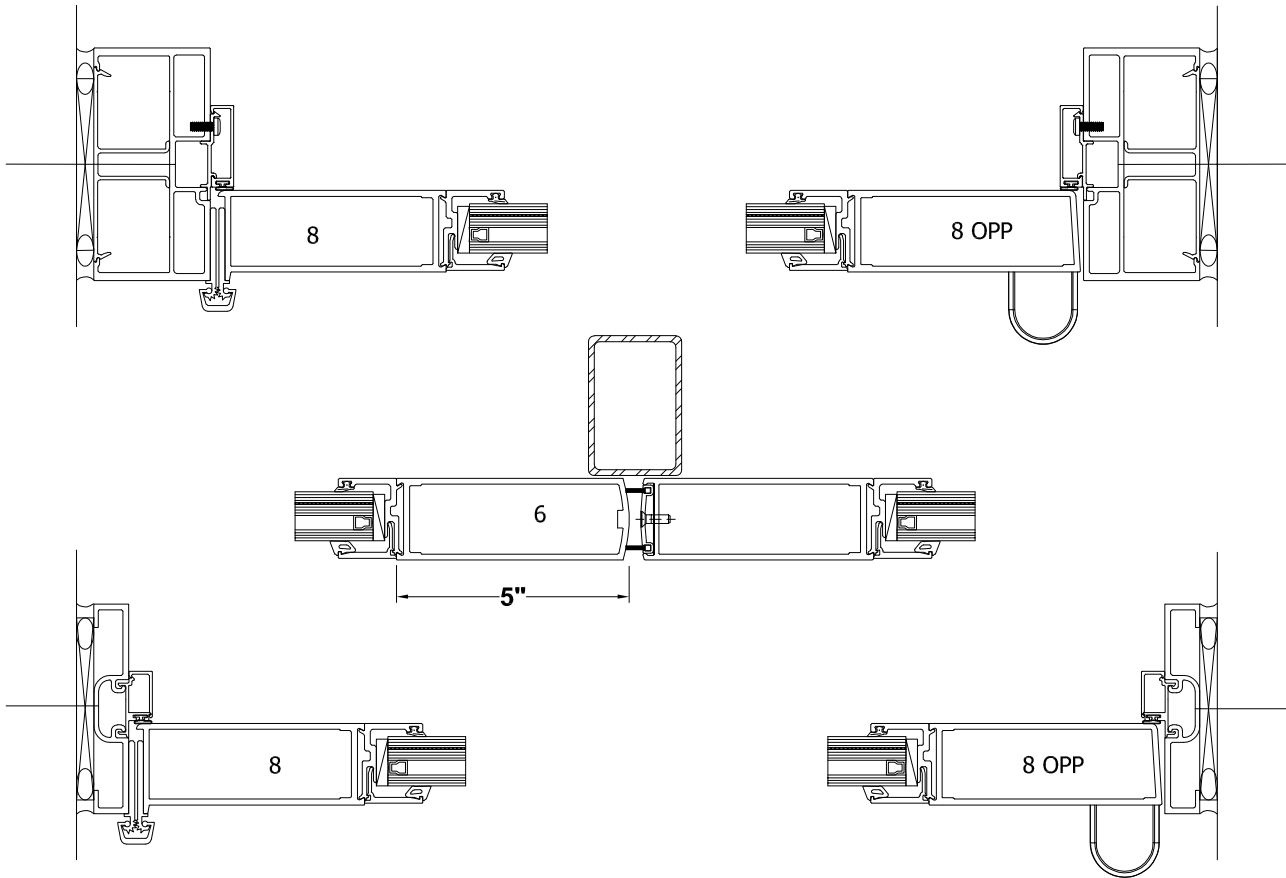


Tubelite reserves the right to change system configuration without prior notice when deemed necessary for product improvements.

Laws and building & safety codes governing the design and use of glazed entrance, window and curtain wall systems vary widely. Tubelite does not control the selection of product configurations, operating hardware or glazing materials, and assumes no responsibility thereof.

Optional Details
1/4 scale

REFER TO GLAZING AND DOOR STOP SECTION FOR GLASS STOP OPTIONS



TUBELITE®
DEPENDABLE
LEADERS IN ECO-EFFICIENT STOREFRONT,
CURTAINWALL AND ENTRANCE SYSTEMS

February 2020

For specific product applications, contact your Tubelite representative.
Details on this page represent standard details found on our website.
For more options, visit our website at www.tubeliteinc.com/forcefront-storm-wide-stile-entrance