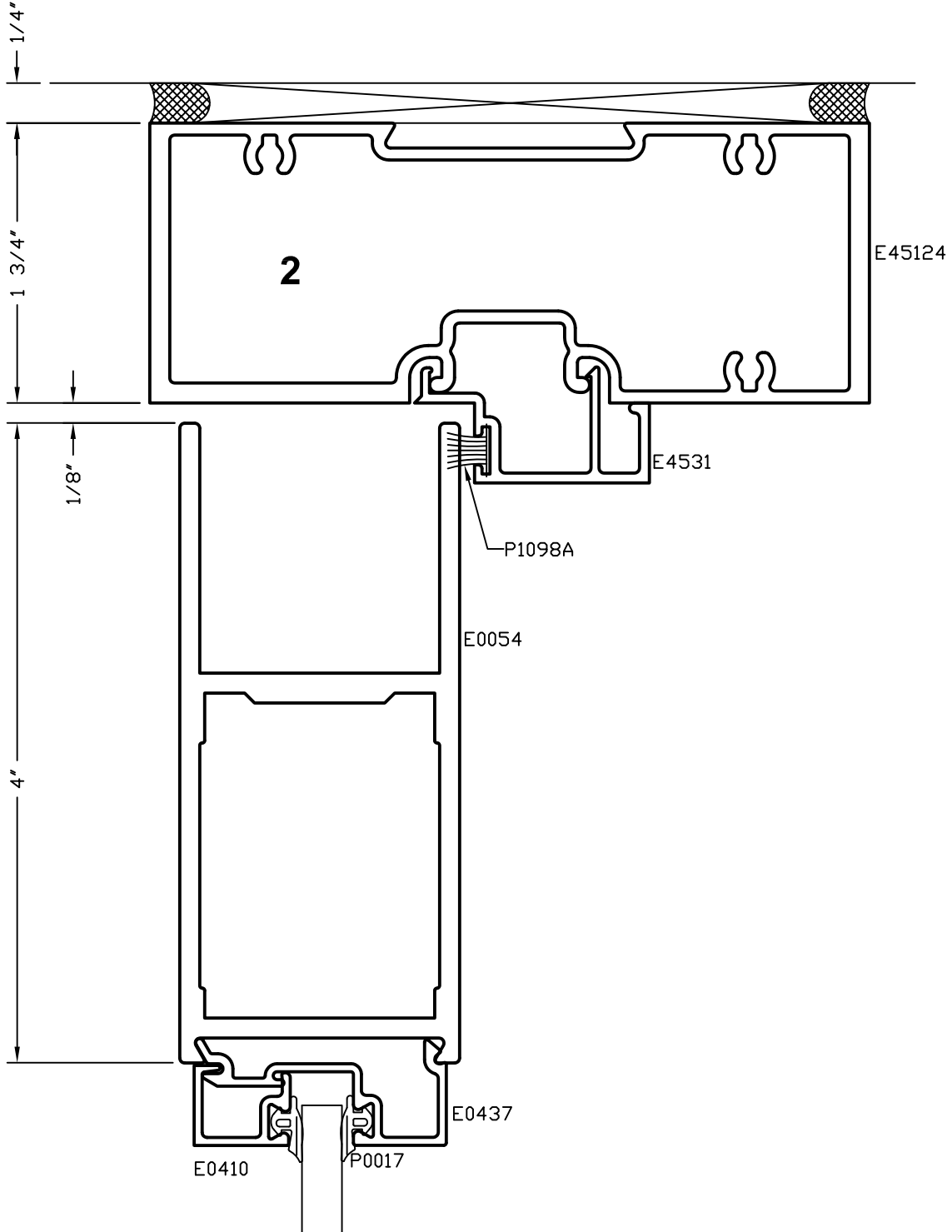


2.08A

Standard Entrances

Head - Medium Stile Offset Pivot or Butt Hinge

CAD DETAIL FILE NO.
090DRTRMS



*SEALANT, ROD, & ANCHORS NOT BY TUBELITE

2.18a

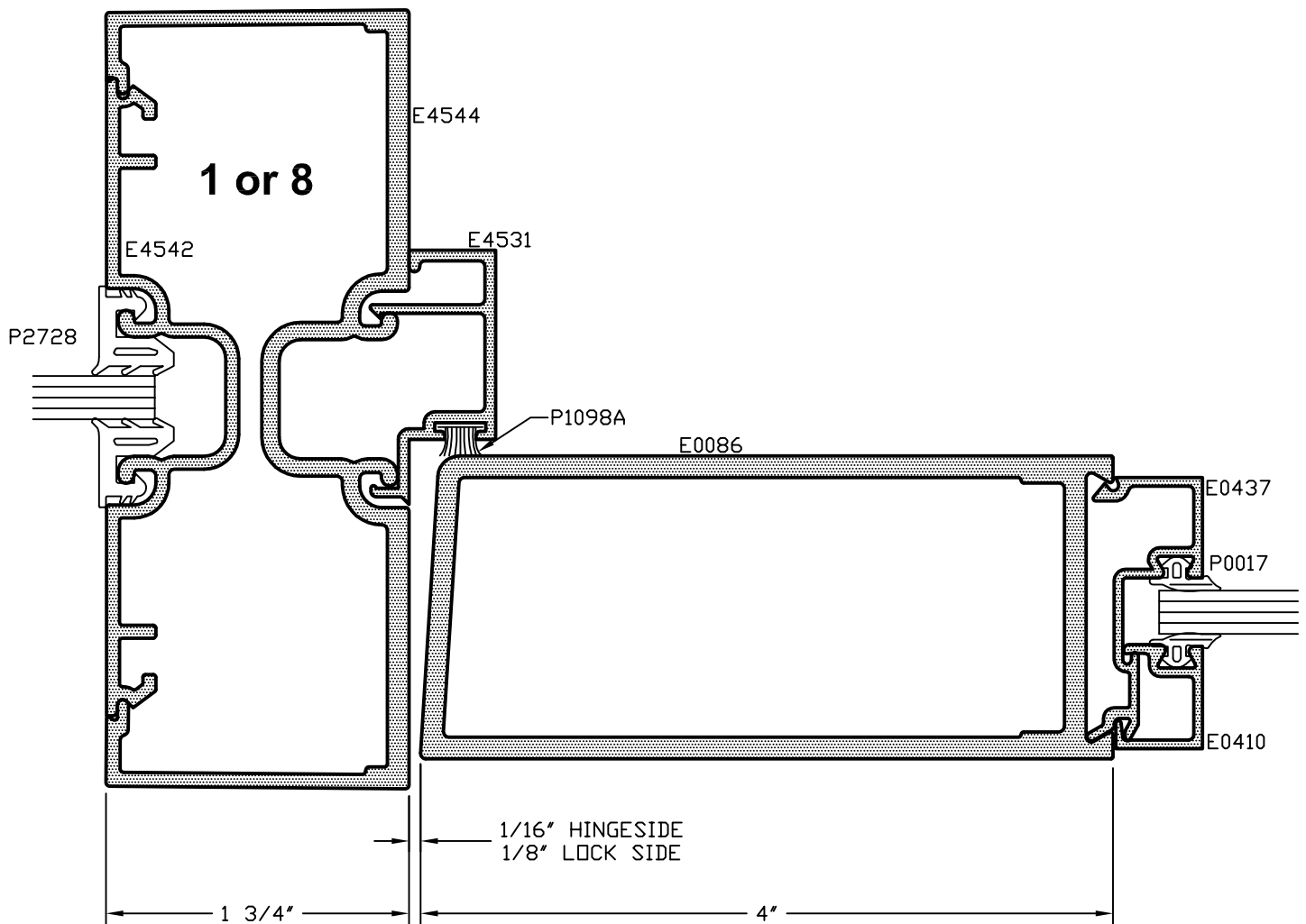
E4500 Storefront

Door Jamb - Medium Stile Offset Pivot or Butt Hinge

STANDARD SIZES

SINGLE DOORS	DOUBLE DOORS
3'-0" X 7'-0"	5'-0" X 7'-0"
3'-6" X 7'-0"	6'-0" X 7'-0"

CAD DETAIL FILE NO.
160DRJBMS



*SEALANT, ROD, & ANCHORS NOT BY TUBELITE

TUBELITE
STOREFRONT, CURTAINWALL & ENTRANCES
DEPENDABLE

2009

2.18b

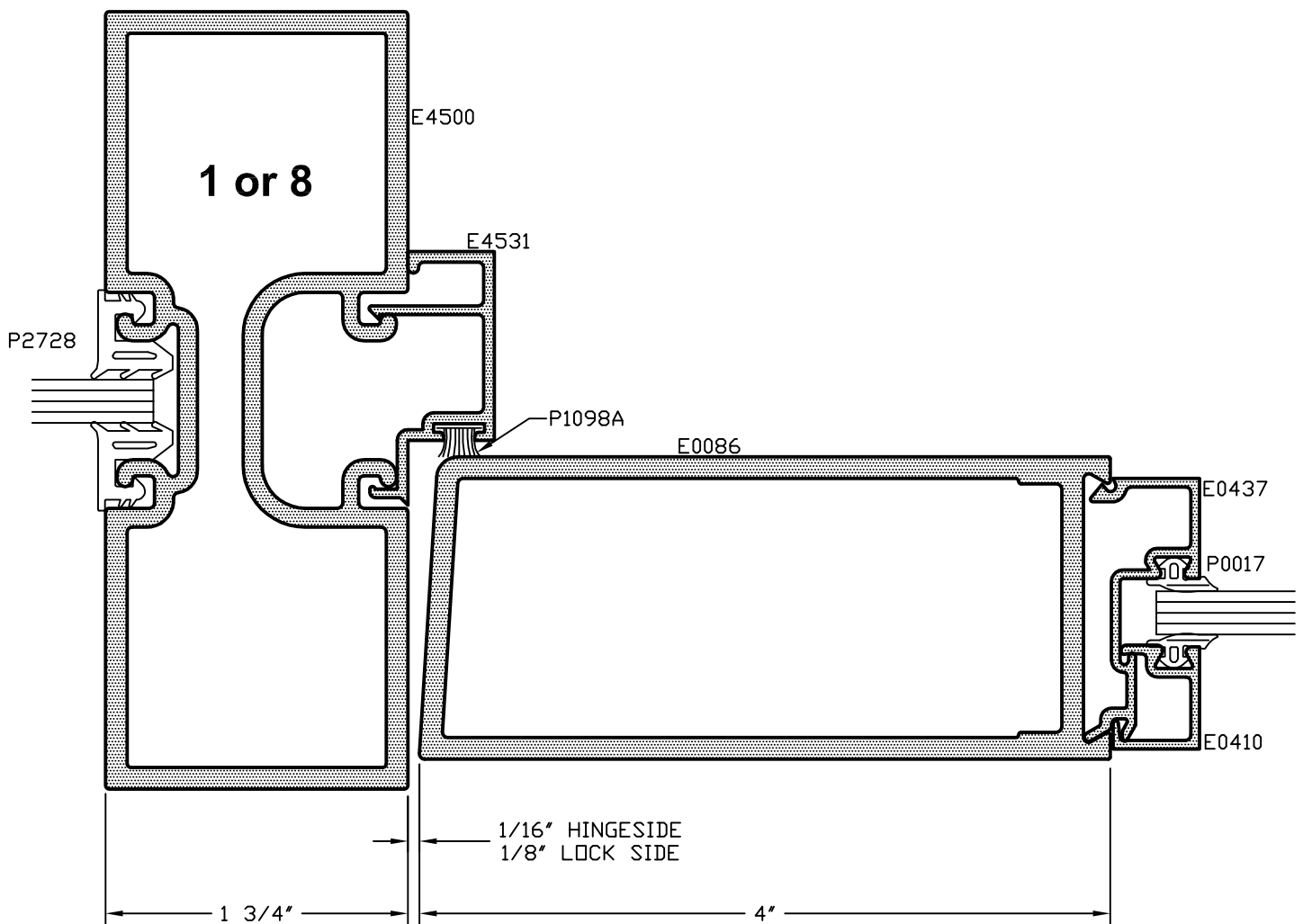
E4500 Storefront

Door Jamb - Medium Stile Offset Pivot or Butt Hinge

CAD DETAIL FILE NO.
160DRJBMS1

STANDARD SIZES

SINGLE DOORS	DOUBLE DOORS
3'-0" X 7'-0"	5'-0" X 7'-0"
3'-6" X 7'-0"	6'-0" X 7'-0"



2.18c

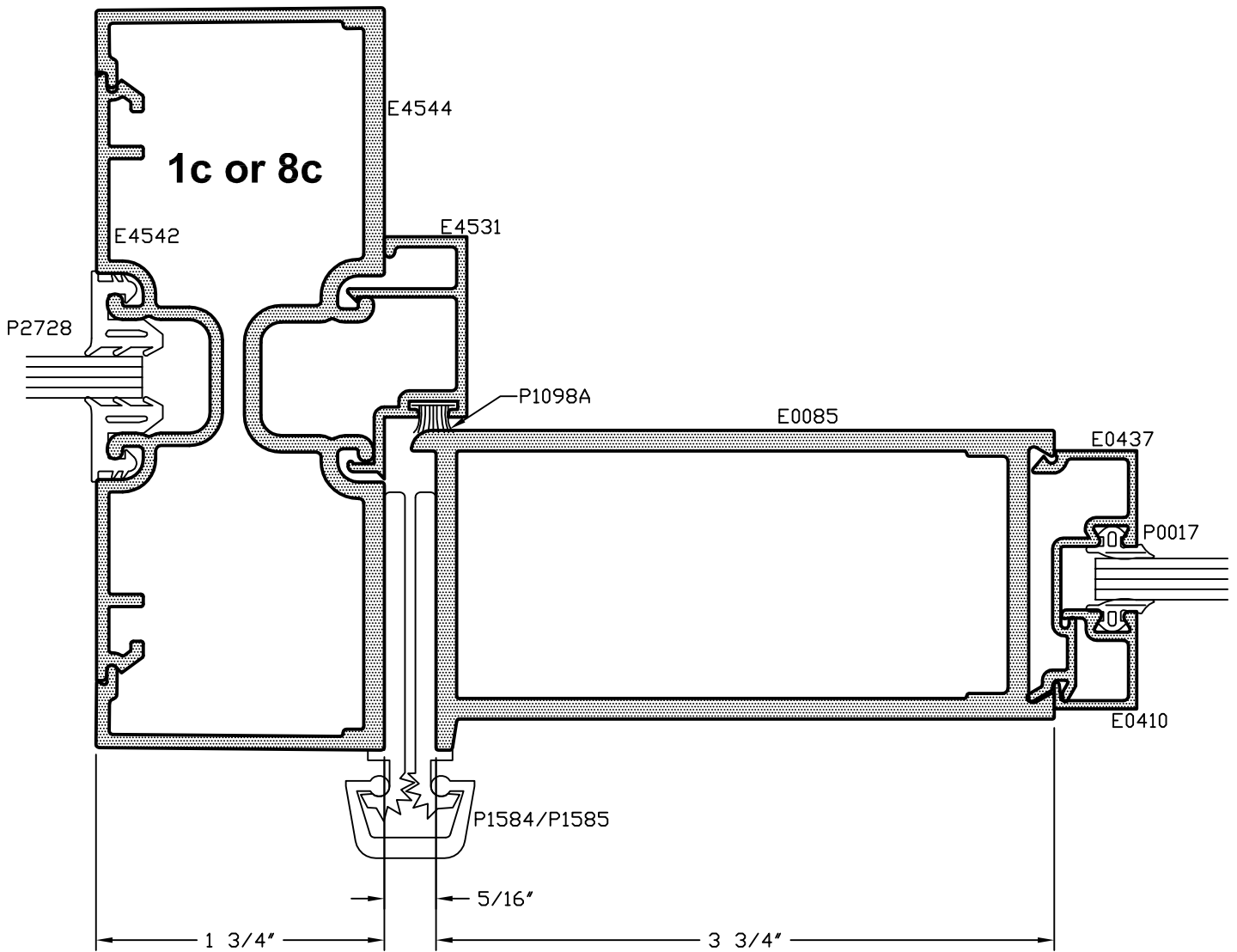
E4500 Storefront

Door Jamb - Medium Stile With Continuous Hinge

STANDARD SIZES

SINGLE DOORS	DOUBLE DOORS
3'-0" X 7'-0"	5'-0" X 7'-0"
3'-6" X 7'-0"	6'-0" X 7'-0"

CAD DETAIL FILE NO.
160DRJBMSCH



*SEALANT, ROD, & ANCHORS NOT BY TUBELITE

2.18d

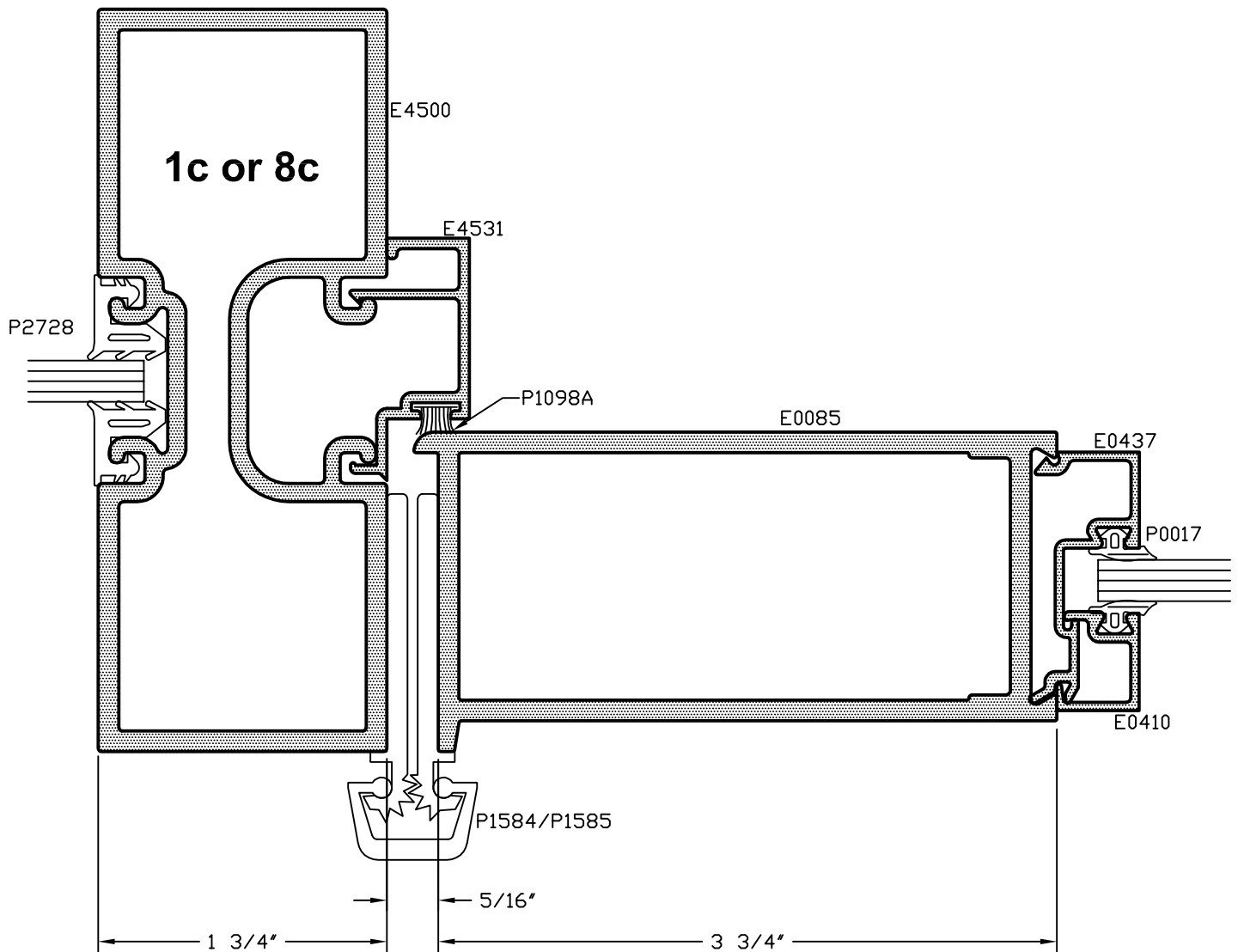
E4500 Storefront

Door Jamb - Medium Stile With Continuous Hinge

CAD DETAIL FILE NO.
160DRJBMSCH1

STANDARD SIZES

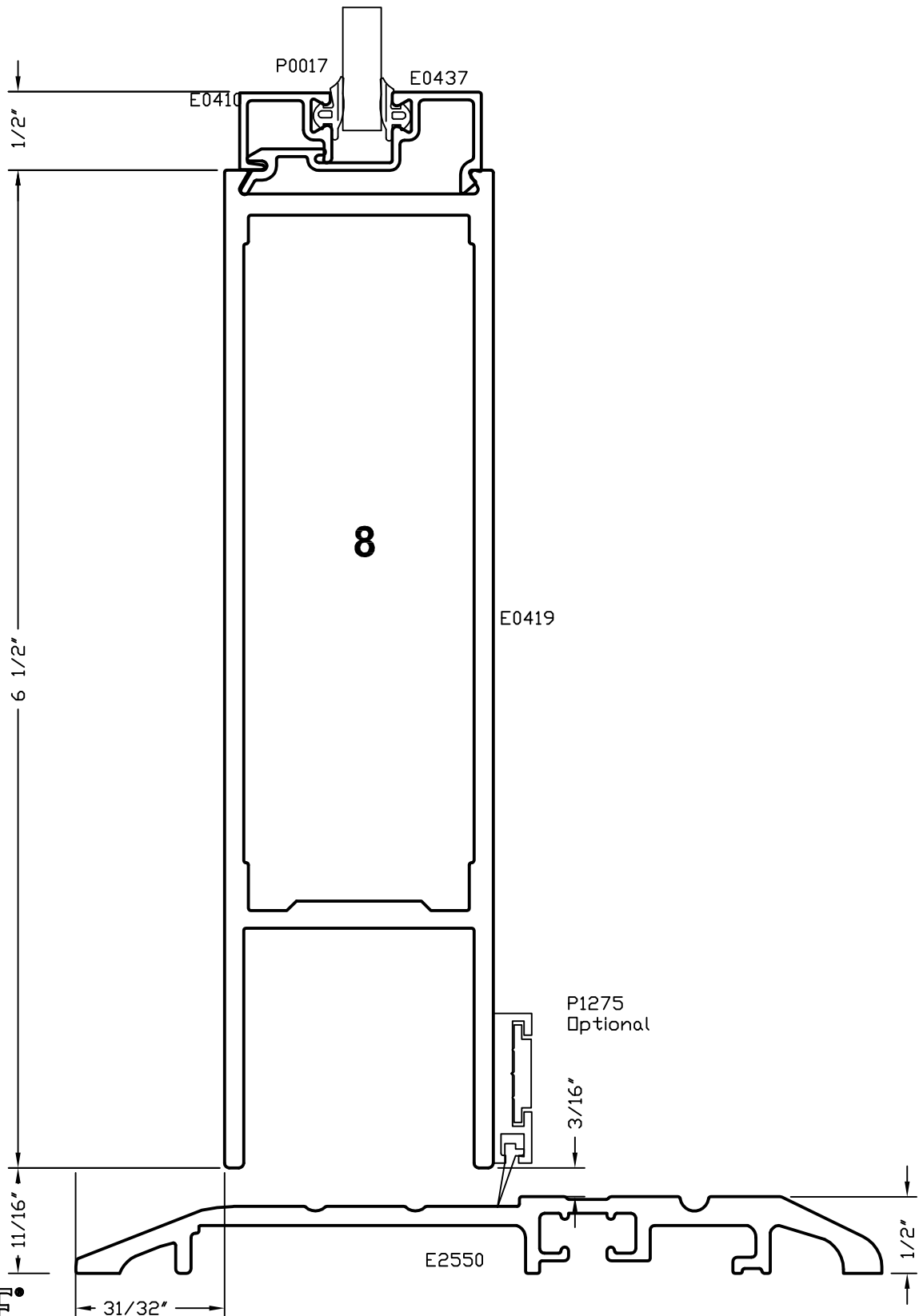
SINGLE DOORS	DOUBLE DOORS
3'-0" X 7'-0"	5'-0" X 7'-0"
3'-6" X 7'-0"	6'-0" X 7'-0"



Standard Entrances

Door Bottom Rail

CAD DETAIL FILE NO.
090DRBR3

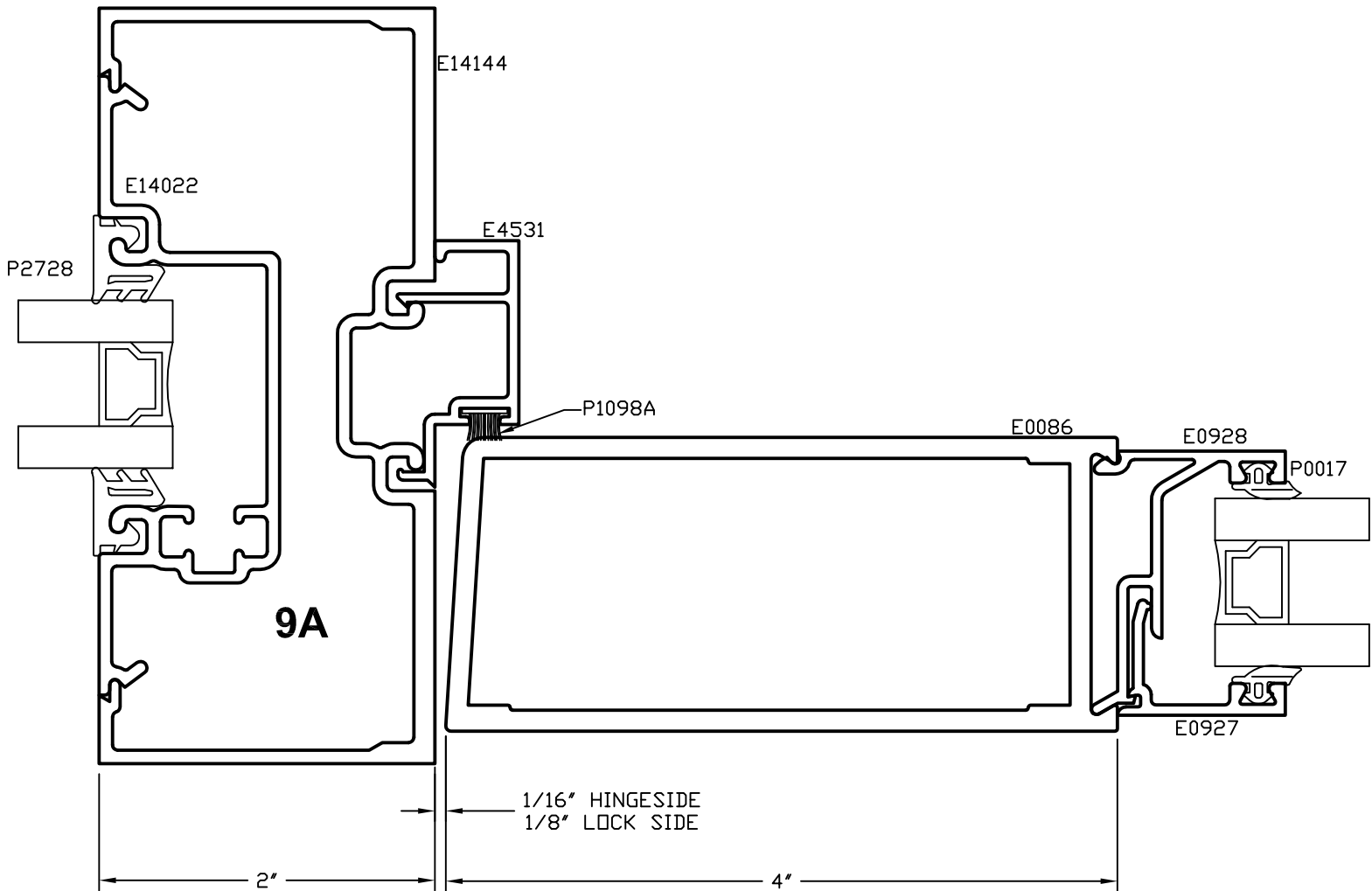


TUBELITE
DEPENDABLE
LEADERS IN ECO-EFFICIENT STOREFRONT,
CURTAINWALL AND ENTRANCE SYSTEMS
2014

*SEALANT, ROD, & ANCHORS NOT BY TUBELITE

14.31c
E14000 Series Flush Glaze
Door Jamb - Medium Stile Offset Pivot or Butt Hinge

CAD DETAIL FILE NO.
190DRJBMS1

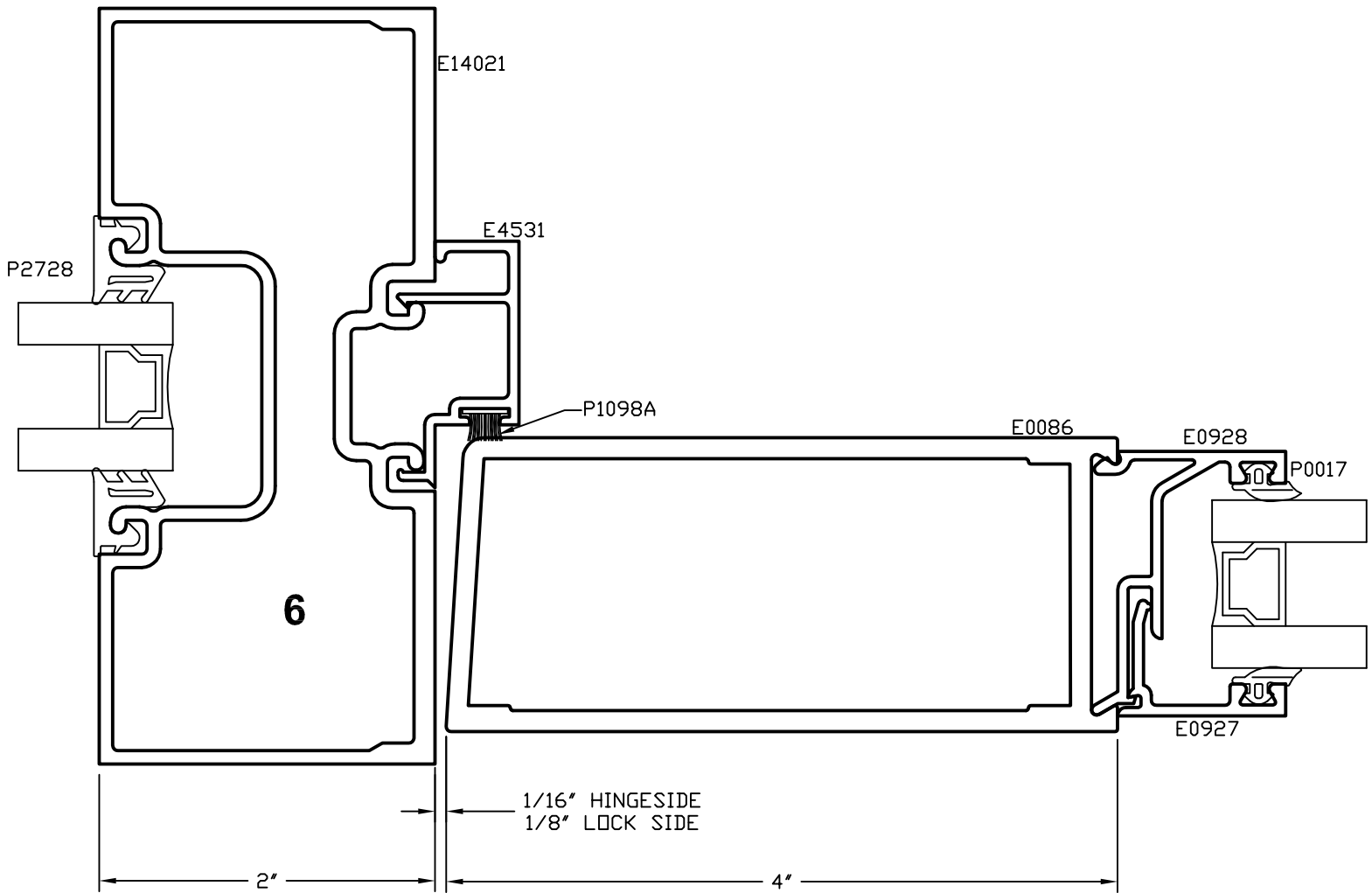


*SEALANT, ROD, & ANCHORS NOT BY TUBELITE

14.31d

E14000 Series Flush Glaze

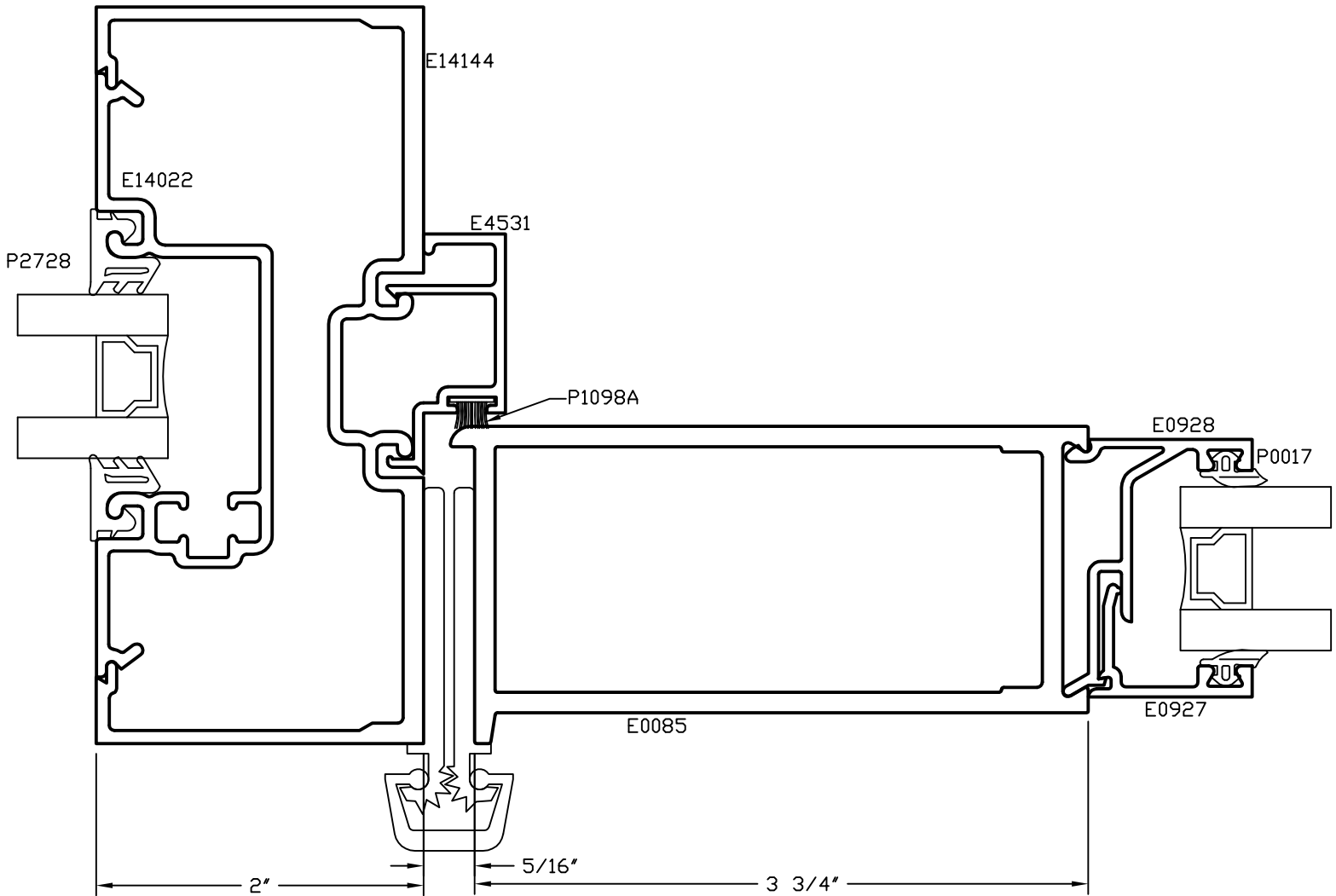
Door Jamb - Medium Stile Offset Pivot or Butt Hinge



14.31e

E14000 Series Flush Glaze Door Jamb - Medium Stile With Continuous Hinge

CAD DETAIL FILE NO.
190DRJBMSCH1



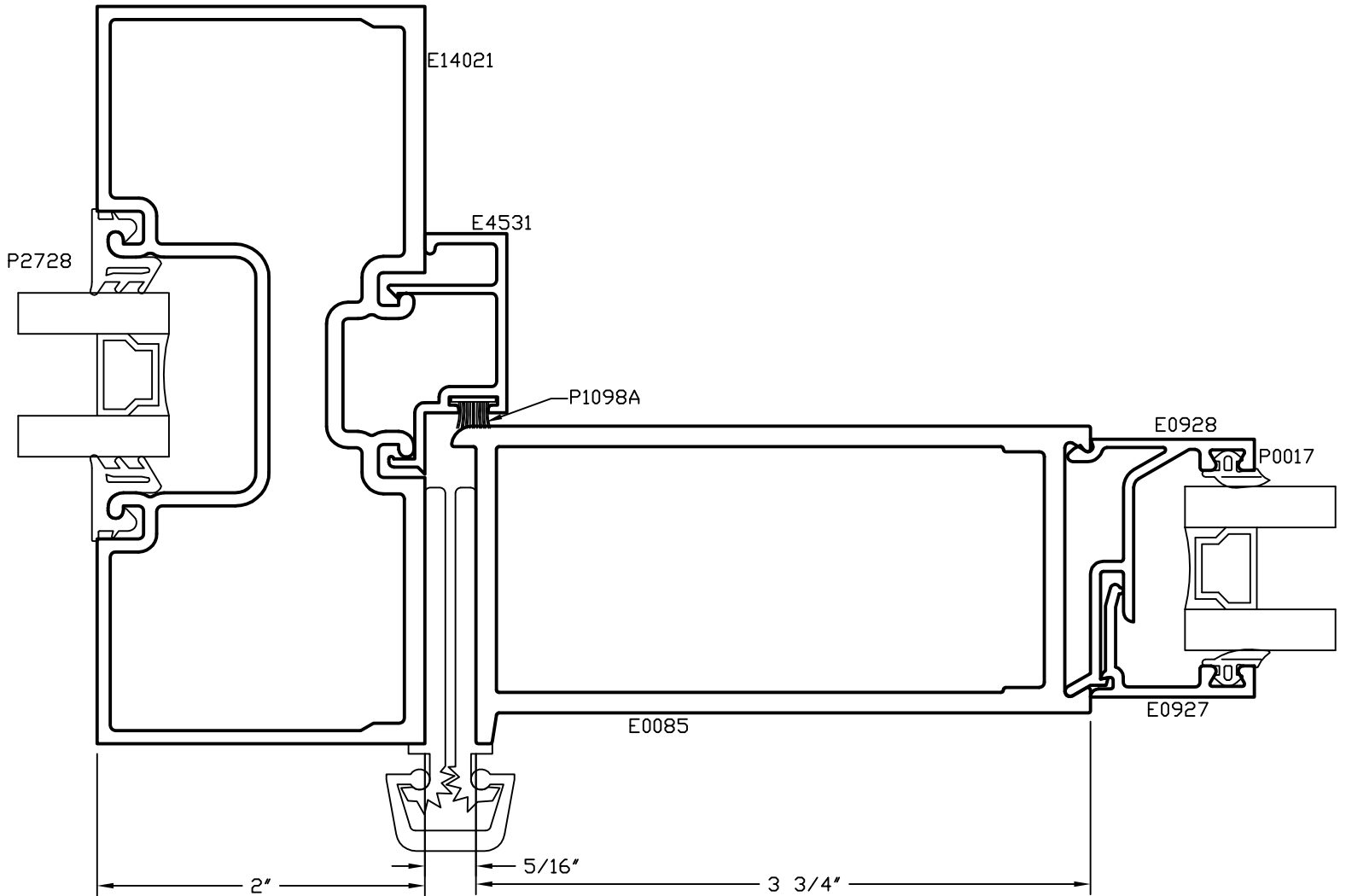
*SEALANT, ROD, & ANCHORS NOT BY TUBELITE

14.31f

E14000 Series Flush Glaze

Door Jamb - Medium Stile With Continuous Hinge

CAD DETAIL FILE NO.
190DRJBMSCH

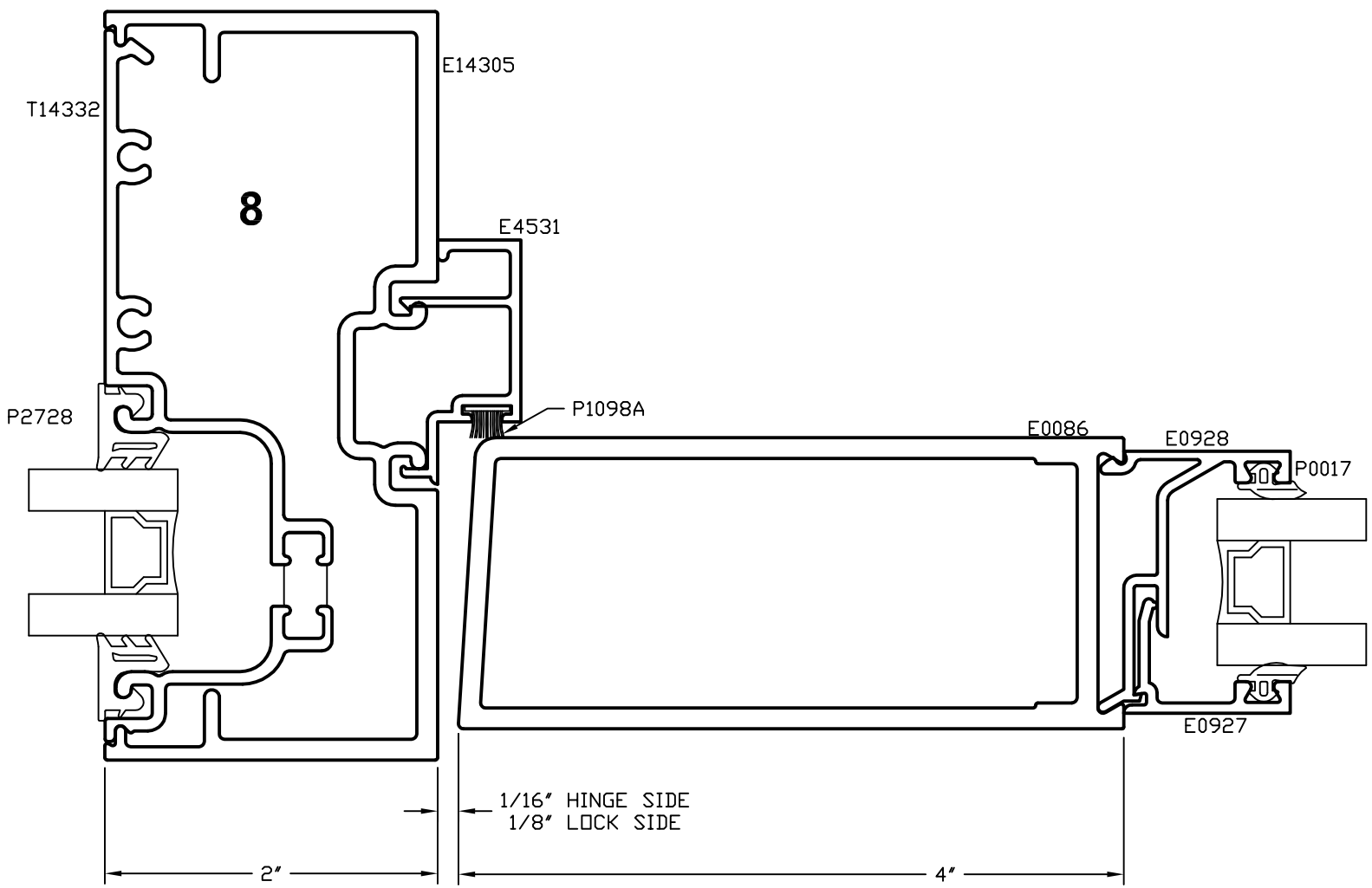


15.26d

14000 Series Flush Glaze - I/O Plane

Door Jamb - Outboard Plane - Medium Stile Offset Pivot or Butt Hinge

CAD DETAIL FILE NO.
180DRJBMS2



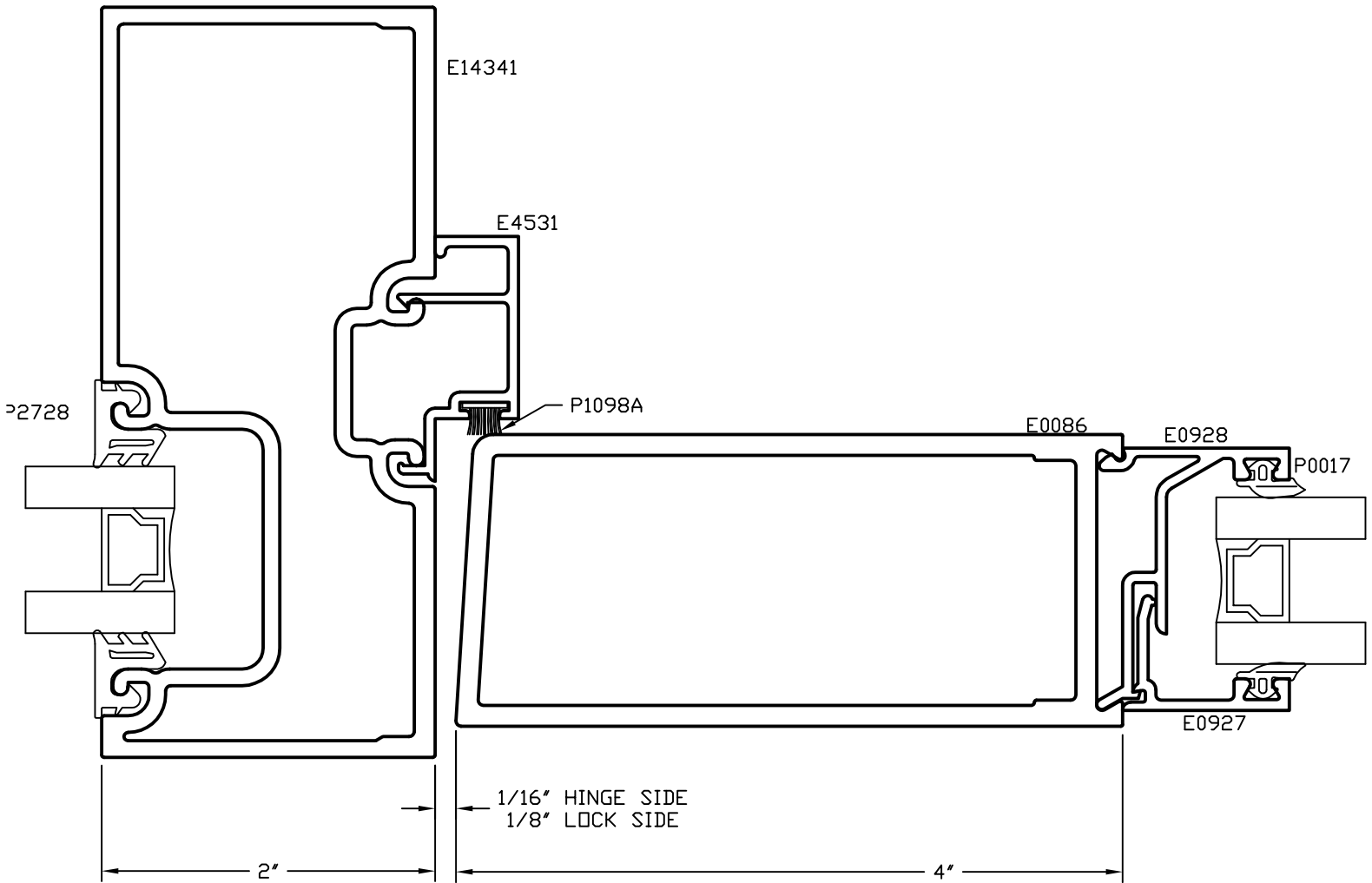
SUBSTITUTE E14332 FOR T14332, IF
THERMAL BREAK IS NOT REQUIRED.

15.26e

14000 Series Flush Glaze - I/O Plane

Door Jamb - Outboard Plane - Medium Stile Offset Pivot or Butt Hinge

CAD DETAIL FILE NO.
180DRJBMS3



SUBSTITUTE E14332 FOR T14332, IF
THERMAL BREAK IS NOT REQUIRED.

*SEALANT, ROD, & ANCHORS NOT BY TUBELITE

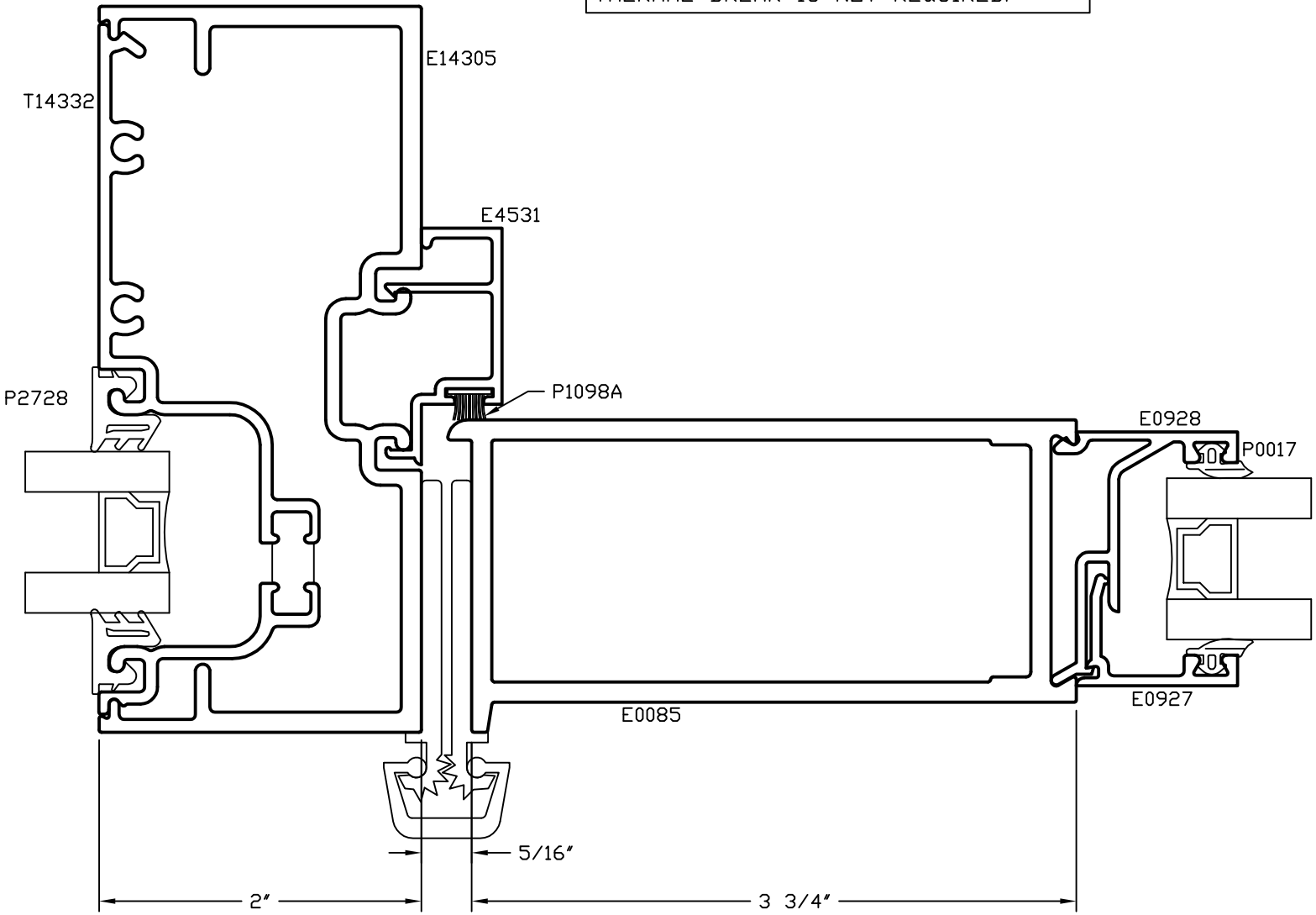
15.26f

14000 Series Flush Glaze - I/O Plane

Door Jamb - Outboard Plane - Medium Stile With Continuous Hinge

CAD DETAIL FILE NO.
180DRJBMSCH2

SUBSTITUTE E14332 FOR T14332, IF
THERMAL BREAK IS NOT REQUIRED.

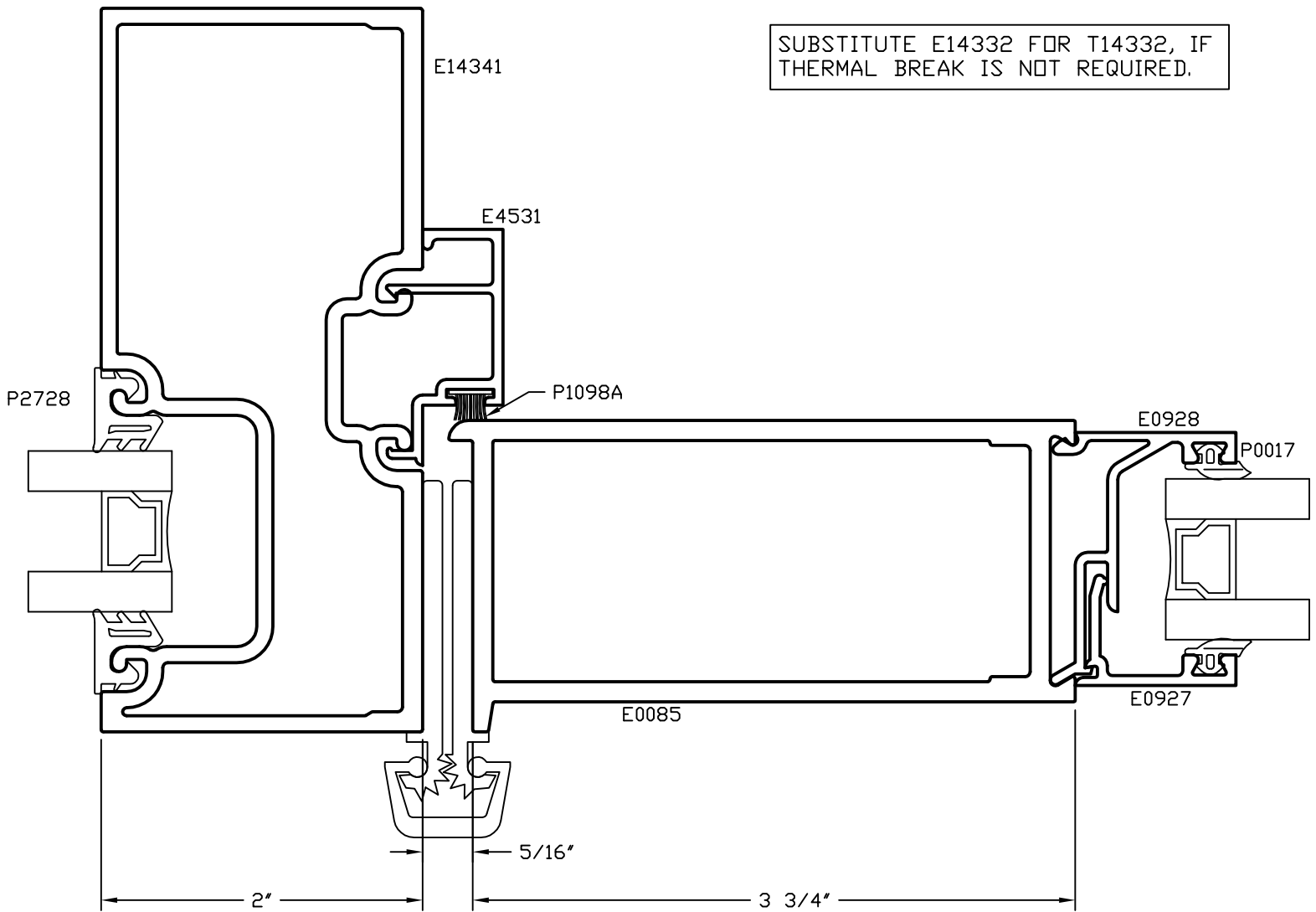


*SEALANT, ROD, & ANCHORS NOT BY TUBELITE

15.26g
14000 Series Flush Glaze - I/O Plane
Door Jamb - Outboard Plane - Medium Stile With Continuous Hinge

CAD DETAIL FILE NO.
180DRJBMSCH3

SUBSTITUTE E14332 FOR T14332, IF
THERMAL BREAK IS NOT REQUIRED.

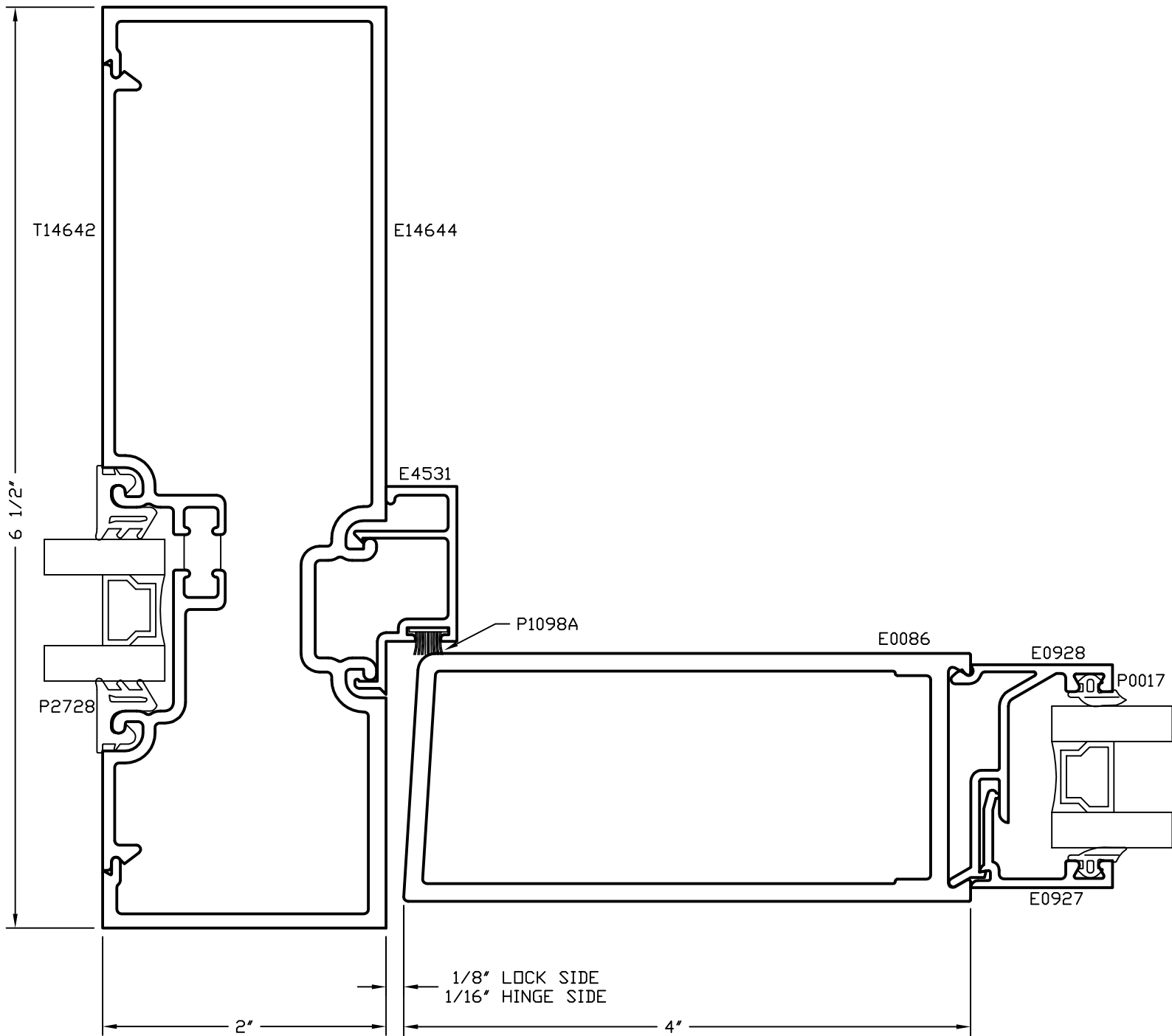


*SEALANT, ROD, & ANCHORS NOT BY TUBELITE

13.12e

14650 Series Deep Flush Glaze Door Jamb - Medium Stile Offset Pivot or Butt Hinge

CAD DETAIL FILE NO.
185DRJBMS



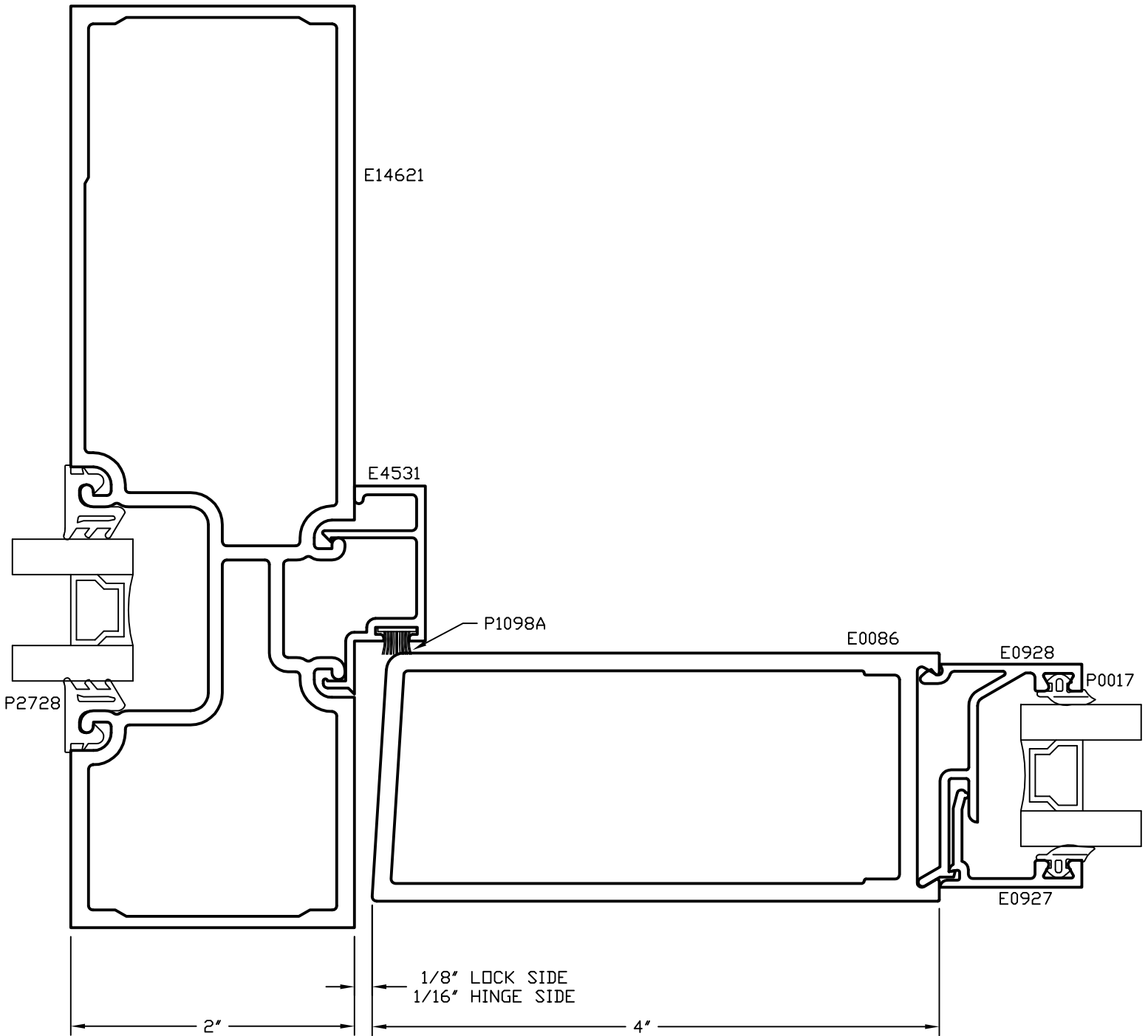
*SEALANT, ROD, & ANCHORS NOT BY TUBELITE

13.12f

14650 Series Deep Flush Glaze

Door Jamb - Medium Stile Offset Pivot or Butt Hinge

CAD DETAIL FILE NO.
185DRJBMS1



TUBELITE®
DEPENDABLE

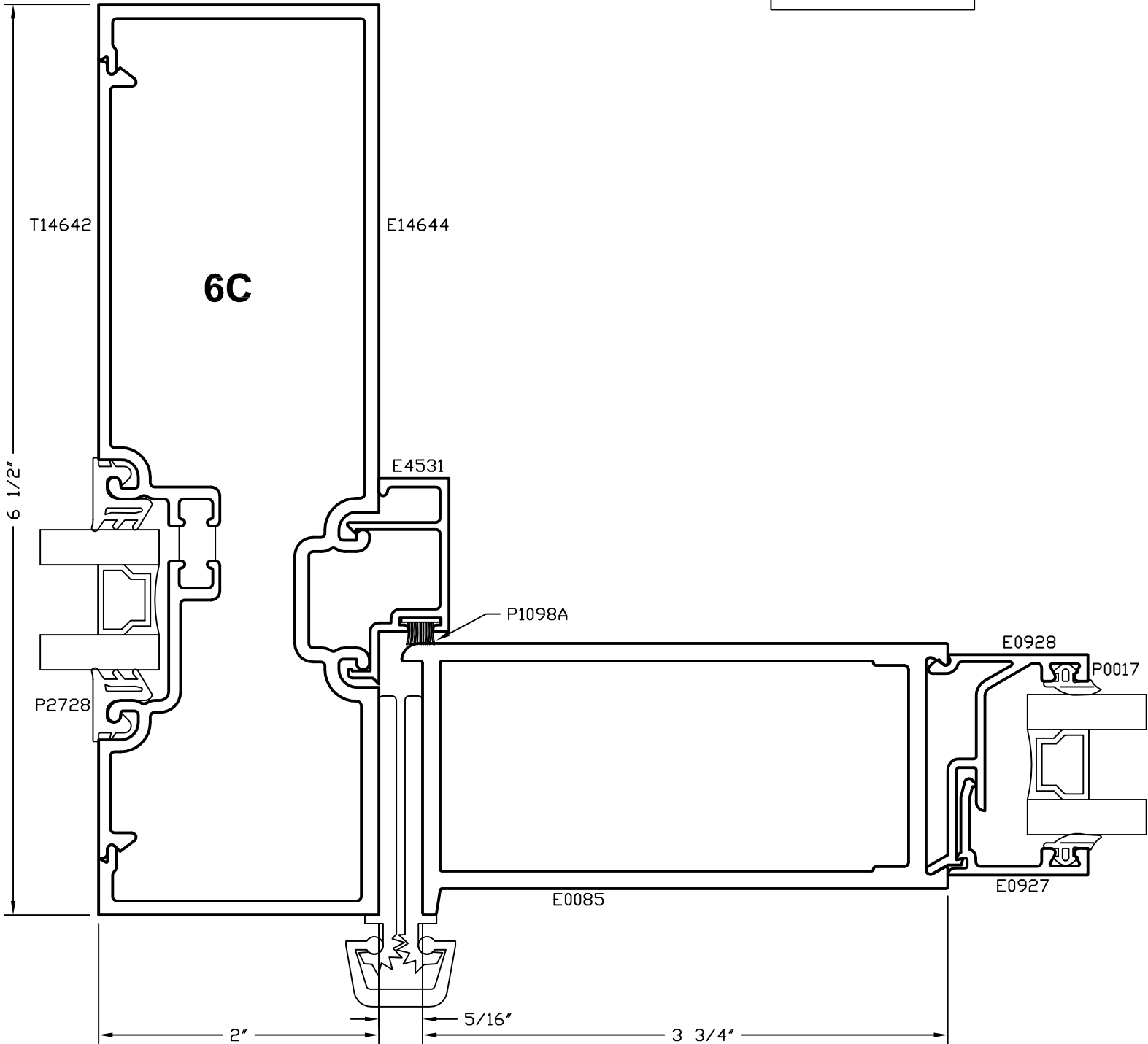
LEADERS IN ECO-EFFICIENT STOREFRONT,
CURTAINWALL AND ENTRANCE SYSTEMS

2013

*SEALANT, ROD, & ANCHORS NOT BY TUBELITE

13.12g
14650 Series Deep Flush Glaze
Door Jamb - Medium Stile With Continuous Hinge

CAD DETAIL FILE NO.
185DRJBMSCH



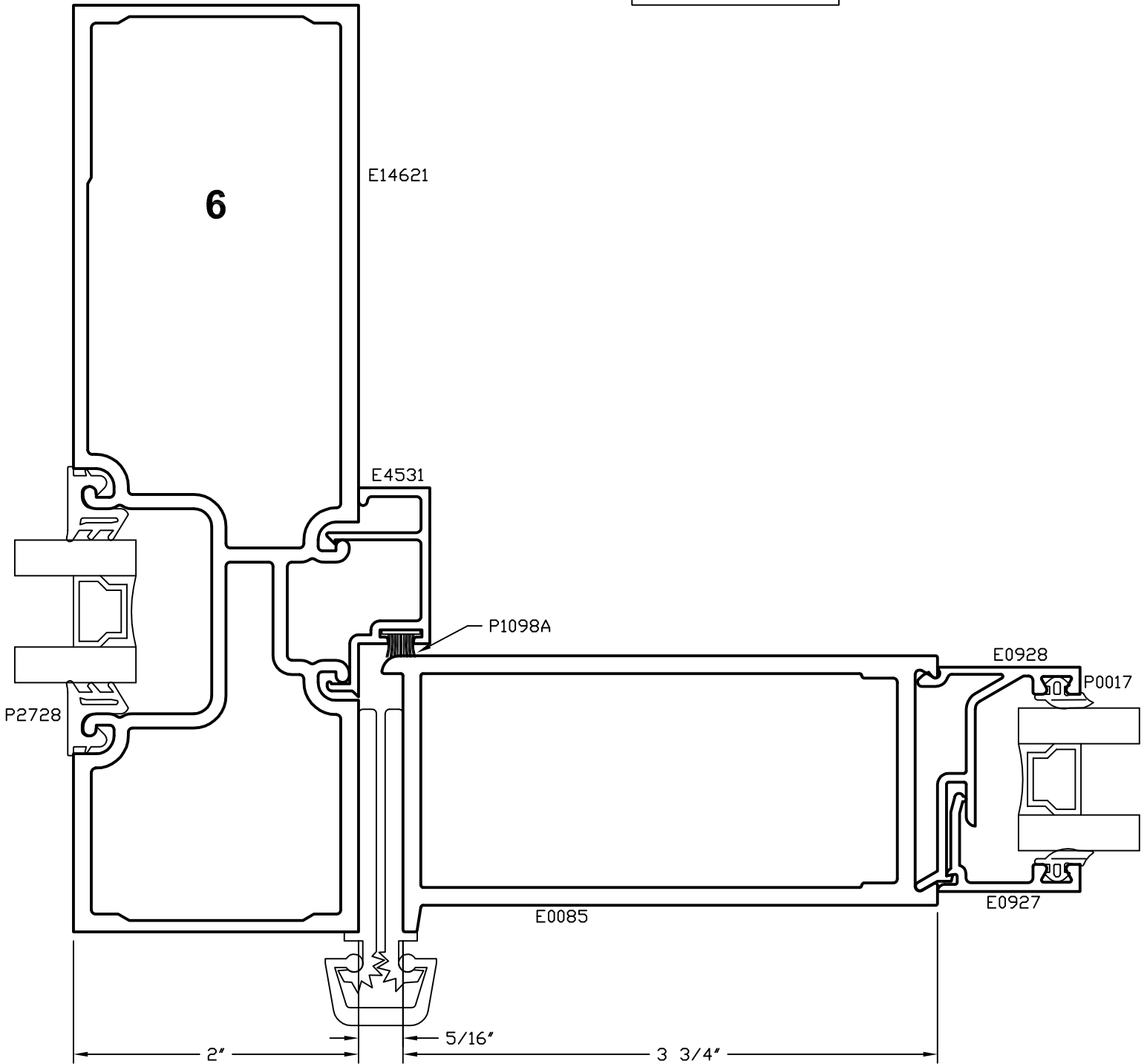
*SEALANT, ROD, & ANCHORS NOT BY TUBELITE

13.12h

14650 Series Deep Flush Glaze

Door Jamb - Medium Stile With Continuous Hinge

CAD DETAIL FILE NO.
185DRJBMSCH1



TUBELITE®
DEPENDABLE

LEADERS IN ECO-EFFICIENT STOREFRONT,
CURTAINWALL AND ENTRANCE SYSTEMS

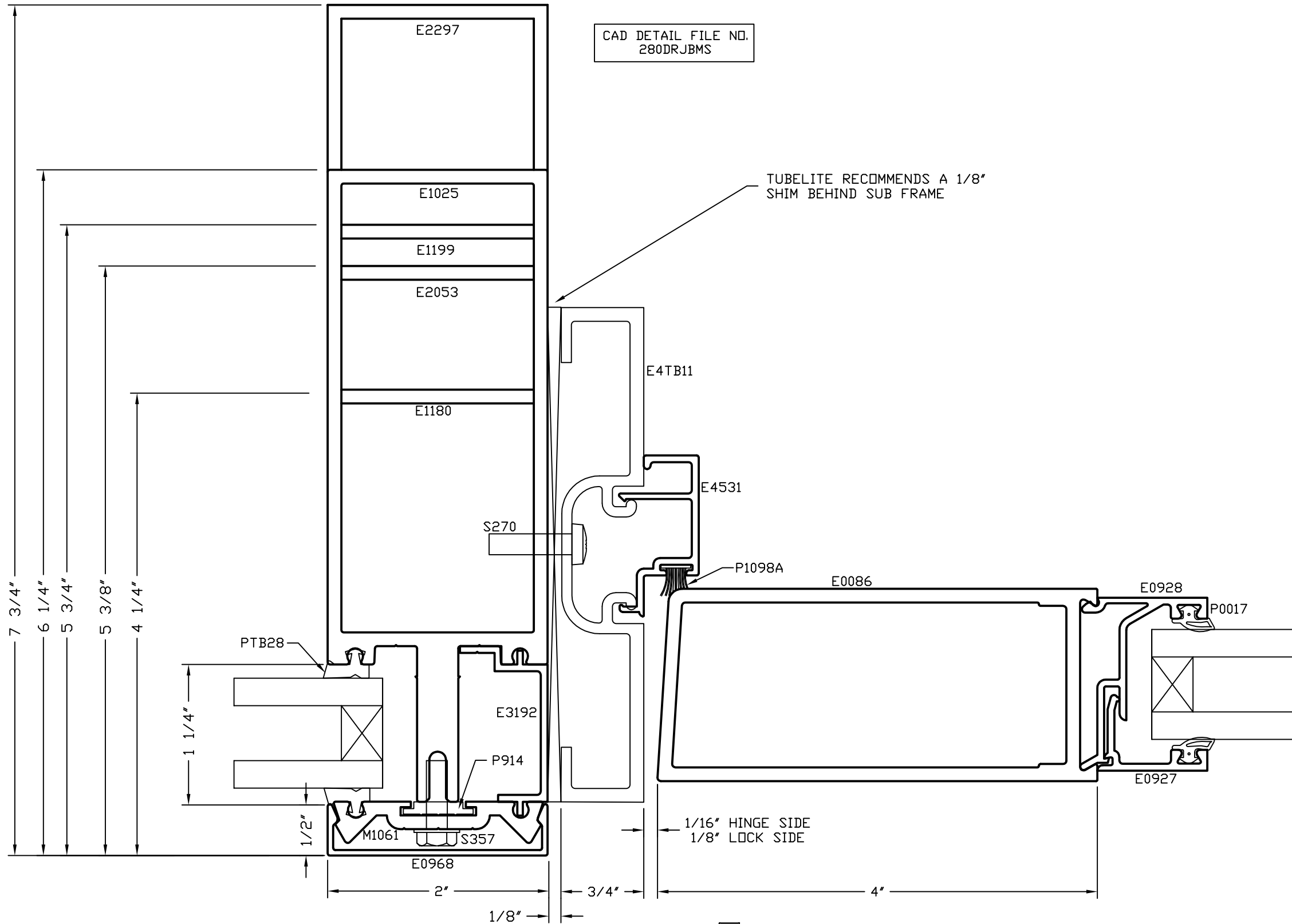
2013

*SEALANT, ROD, & ANCHORS NOT BY TUBELITE

20.21

200 Series Curtainwall

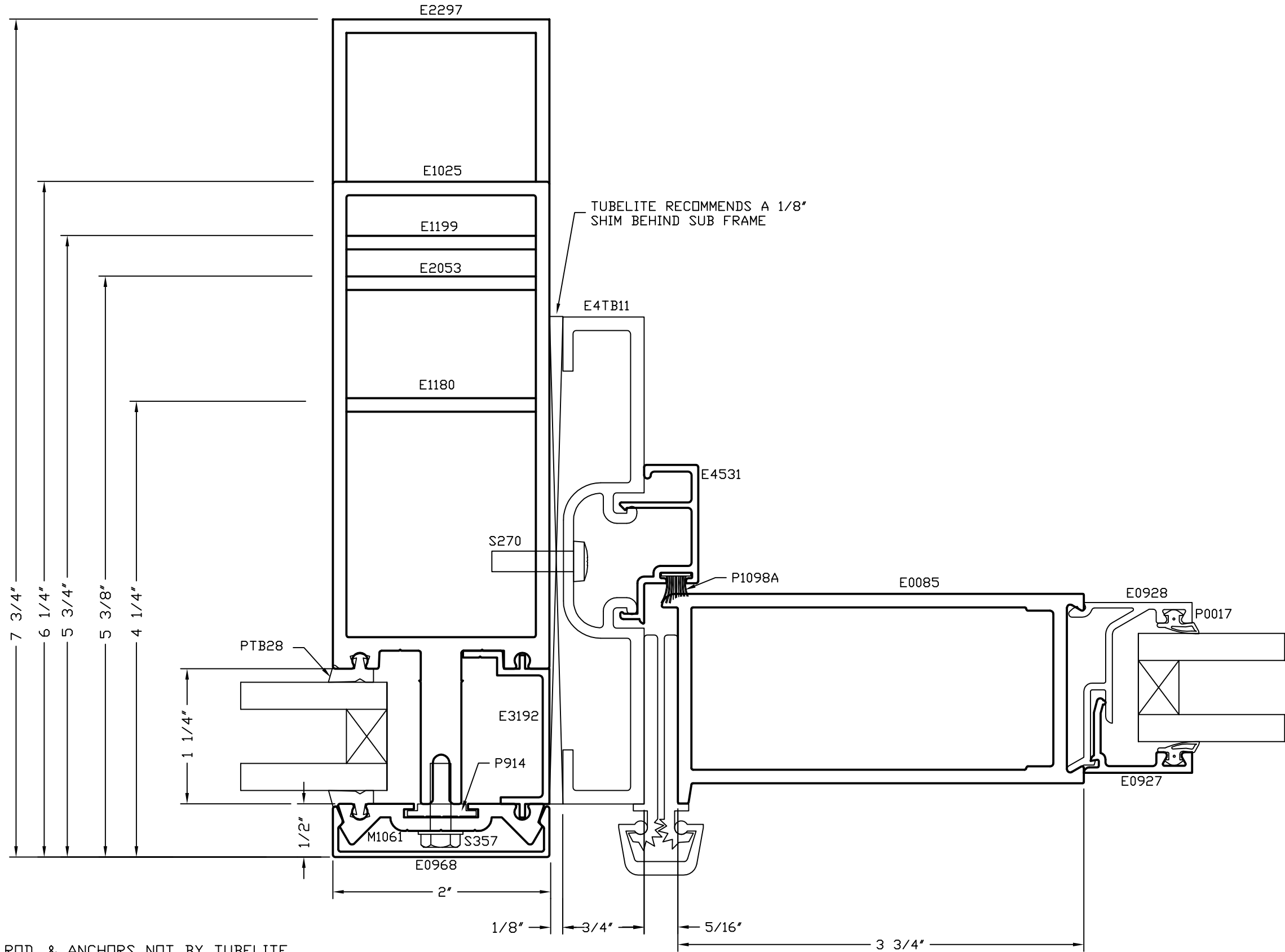
Door Jamb with Medium Stile - Offset Pivot or Butt Hinge



*SEALANT, ROD, & ANCHORS NOT BY TUBELITE

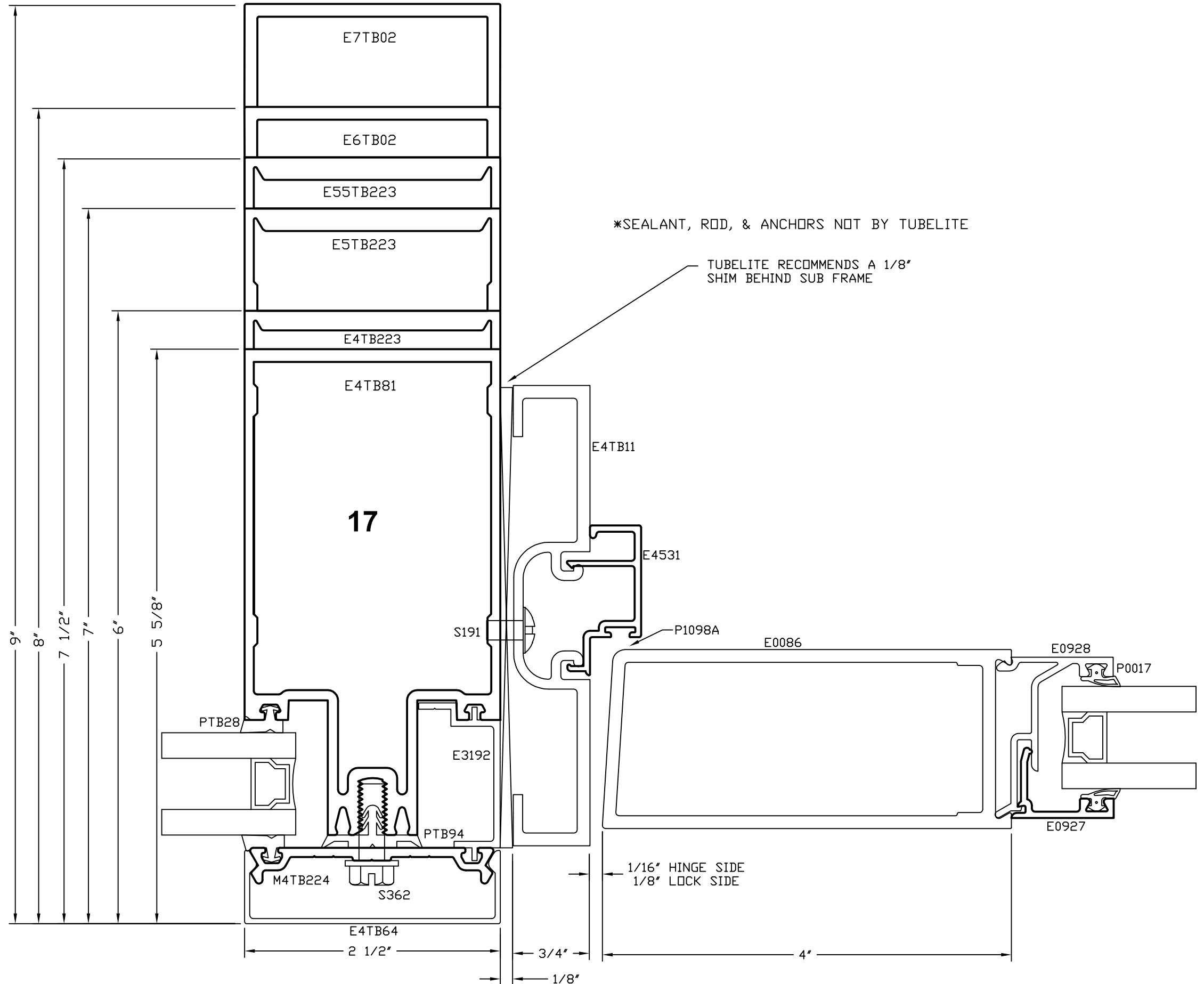
20.22
200 Series Curtainwall
Door Jamb - Medium Stile With Continuous Hinge

CAD DETAIL FILE NO.
 280DRJBMSCH



21.12b
400 Series Curtainwall
Door Jamb with Medium
Stile - Offset Pivot or Butt Hinge

CAD DETAIL FILE NO.
 290DRJBMS

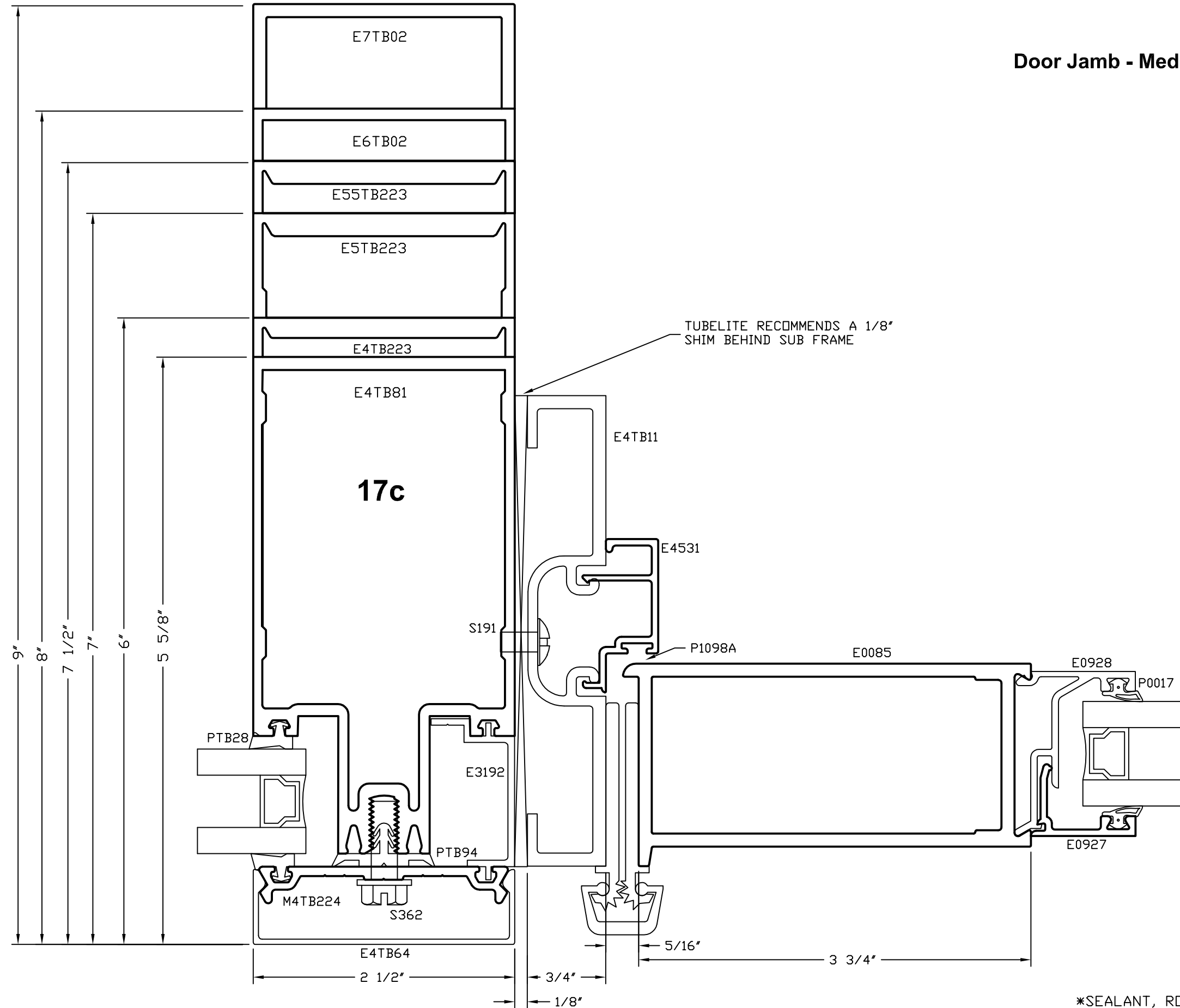


21.12c

400 Series Curtainwall

Door Jamb - Medium Stile With Continuous Hinge

CAD DETAIL FILE NO.
290DRJBMSCH



*SEALANT, ROD, & ANCHORS
NOT BY TUBELITE

400 Series Curtainwall

Transom - Offset Pivot or Butt Hinge

CAD DETAIL FILE NO.
290TRAN2

