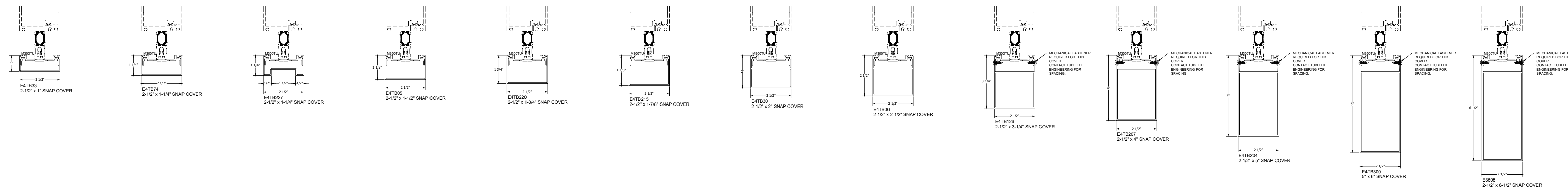
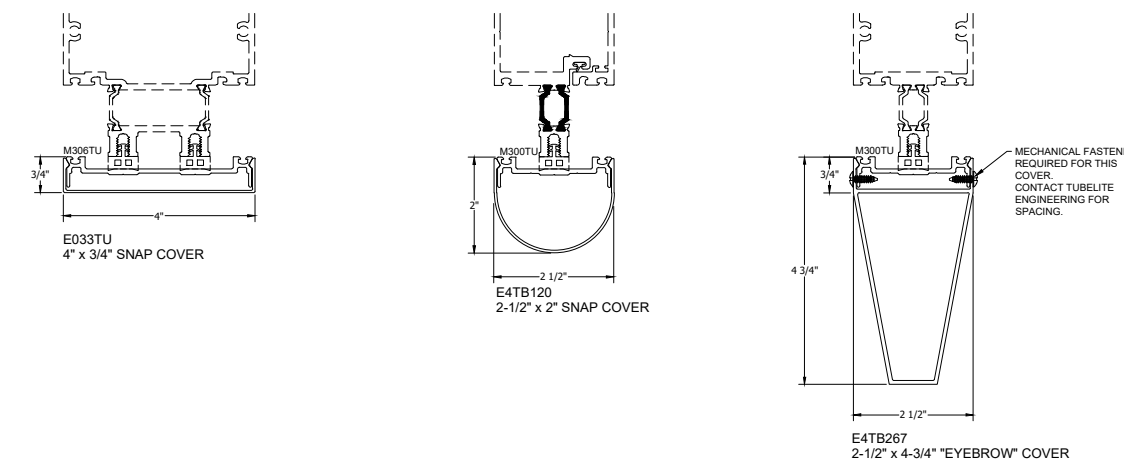


# 400TU COVER PROFILES

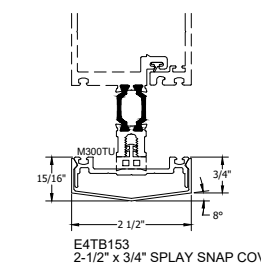


NOTE: For vertical covers greater than 5" in depth check with Tubelite engineering for suitability and review of project loads.

## 2-1/2" FACE VARIOUS DEPTHS

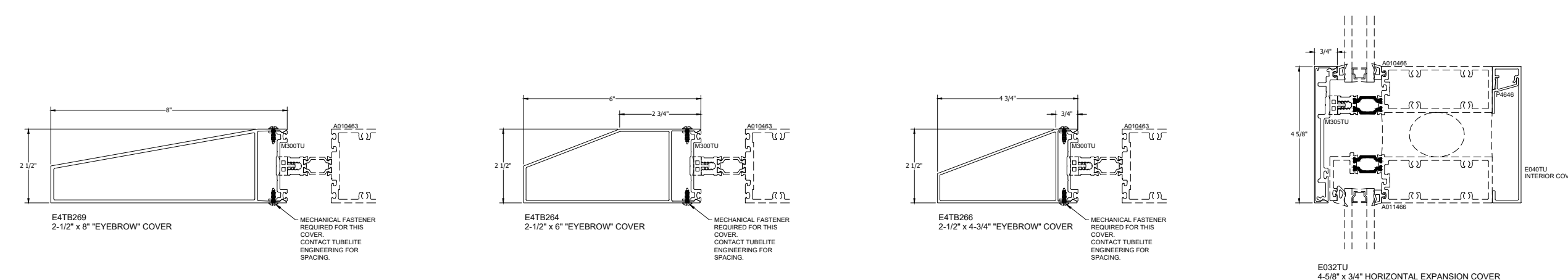


NOTE: Exterior cover profiles shown can be used for vertical application or horizontal application. Contact TUBELITE engineering for review and recommendation of attachment of covers greater 3" in depth.



## ANGLED COVERS

## EXTERIOR PROFILES



## HORIZONTAL PROFILE / SLOPED COVERS

NOTE: Contact TUBELITE engineering prior to use of horizontal to review loads and proper attachment of covers.

# TUBELITE®

**DEPENDABLE**

LEADERS IN ECO-EFFICIENT STOREFRONT,  
CURTAINWALL AND ENTRANCE SYSTEMS

Last Revised: 06-09-2019