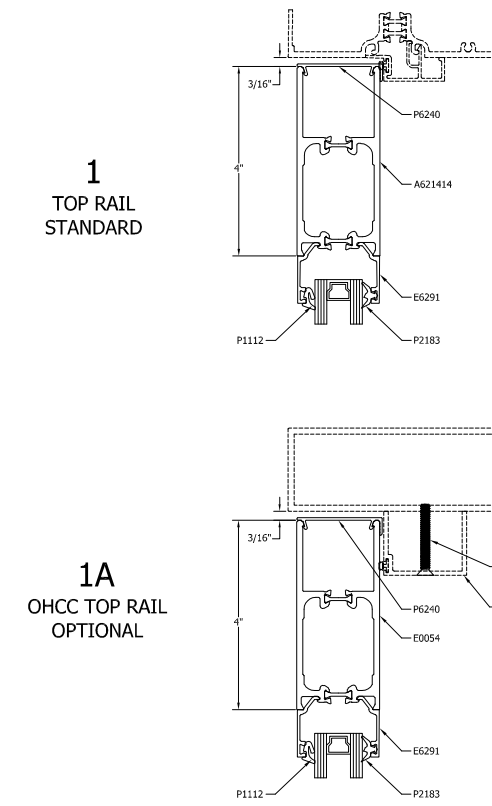
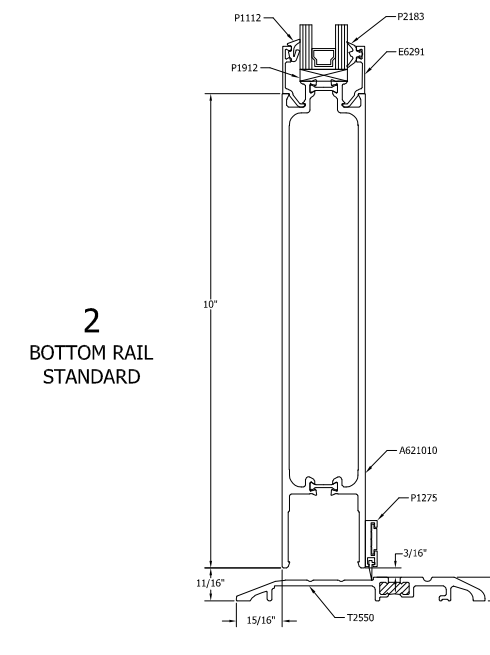


TYPICAL ELEVATION
MEDIUM THERMAL
STILE ENTRANCES

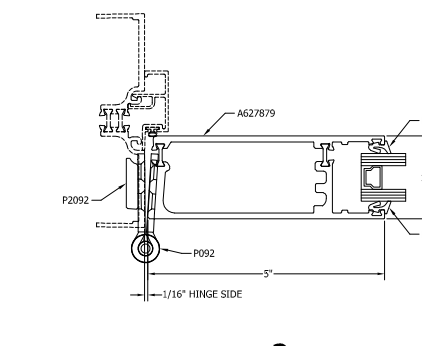


1
TOP RAIL
STANDARD

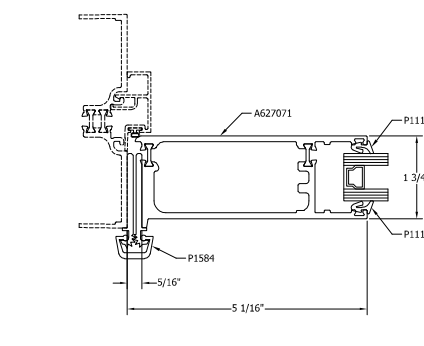
1A
CHCC TOP RAIL
OPTIONAL



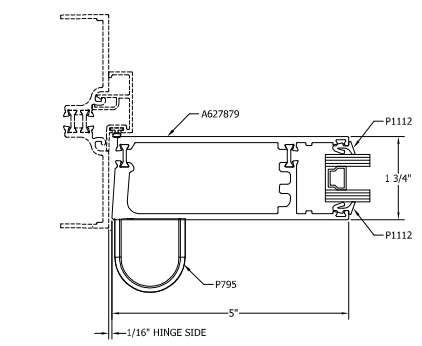
2
BOTTOM RAIL
STANDARD



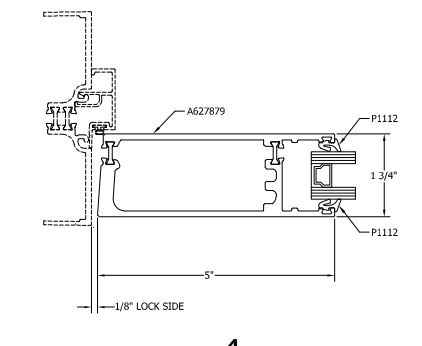
3
BUTT HINGE
STANDARD



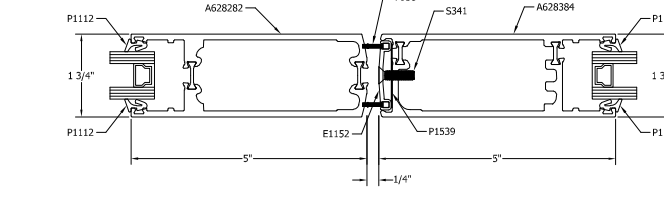
3A
CONT HINGE
OPTIONAL



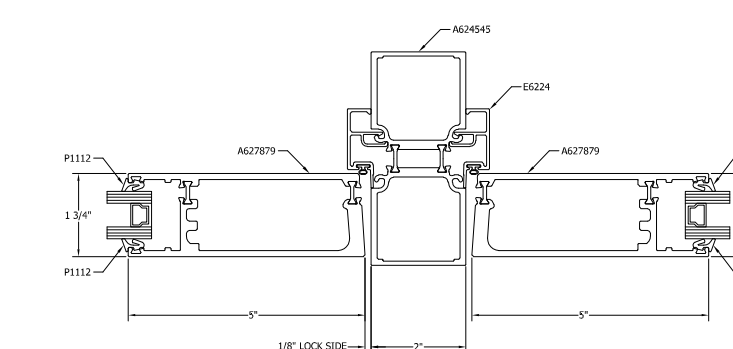
3B
PIVOT HINGE
OPTIONAL



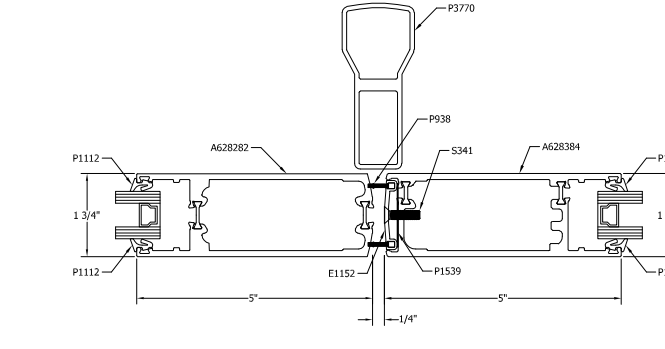
4
LOCK STILE
STANDARD



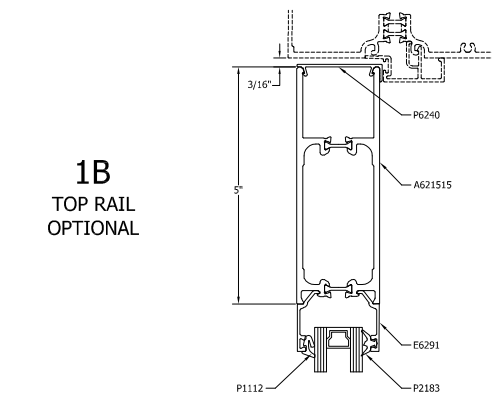
5
MEETING STILE
STANDARD



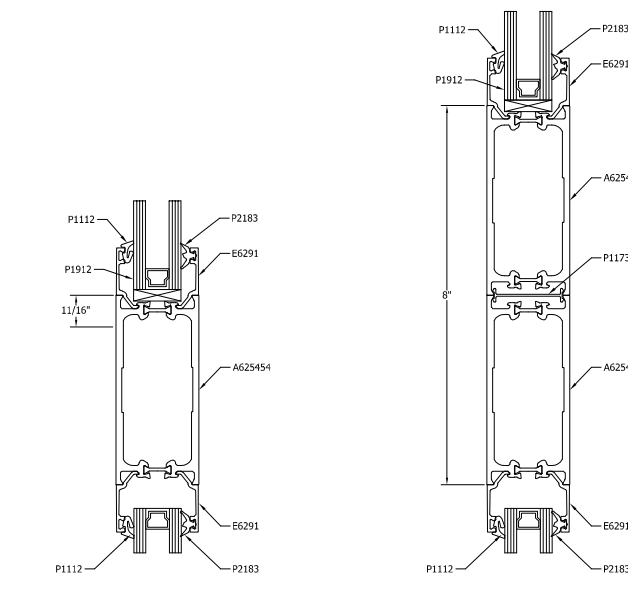
5A
FIXED MULLION
OPTIONAL



5B
REMOVABLE
RIM PANIC
MULLION
OPTIONAL



1B
TOP RAIL
OPTIONAL



6
MID RAIL
STANDARD

6A
MID RAIL
STANDARD

OPTIONAL TOP RAILS

6 - OPTIONAL MIDRAILS

TUBELITE®

DEPENDABLE

LEADERS IN ECO-EFFICIENT STOREFRONT,
CURTAINWALL AND ENTRANCE SYSTEMS

Last Revised: 3/8/19