

# DEPENDABLE PRODUCT NEWS

## TUBELITE®

DEPENDABLE

LEADERS IN ECO-EFFICIENT STOREFRONT,  
CURTAINWALL AND ENTRANCE SYSTEMS

Date: **03/20/2014**

Engineering Bulletin: **031401**

*Effective Date: **May 5, 2014***

Released By: **T.Trinh**

### Subject:

**New Offset Pivots (P795H, P795DT, P795DB, P795L/R);  
New Intermediate Pivots (P795I L/R);  
New threshold (E2550/TA2550);**

### Description:

New Top, Bottom & Intermediate Offset Pivots, and 5- ¼" wide thresholds will be available. The new offset pivots (P795) are NOT interchangeable with the current offset pivots (P695) and new mounting locations are required for doors and frames. Replacement parts for existing offset pivot doors and frames will continue to be available.

New intermediate pivots (P795I) will have the same prep and mounting location as current intermediate pivot (P 751) and uses the same reinforcing plate.

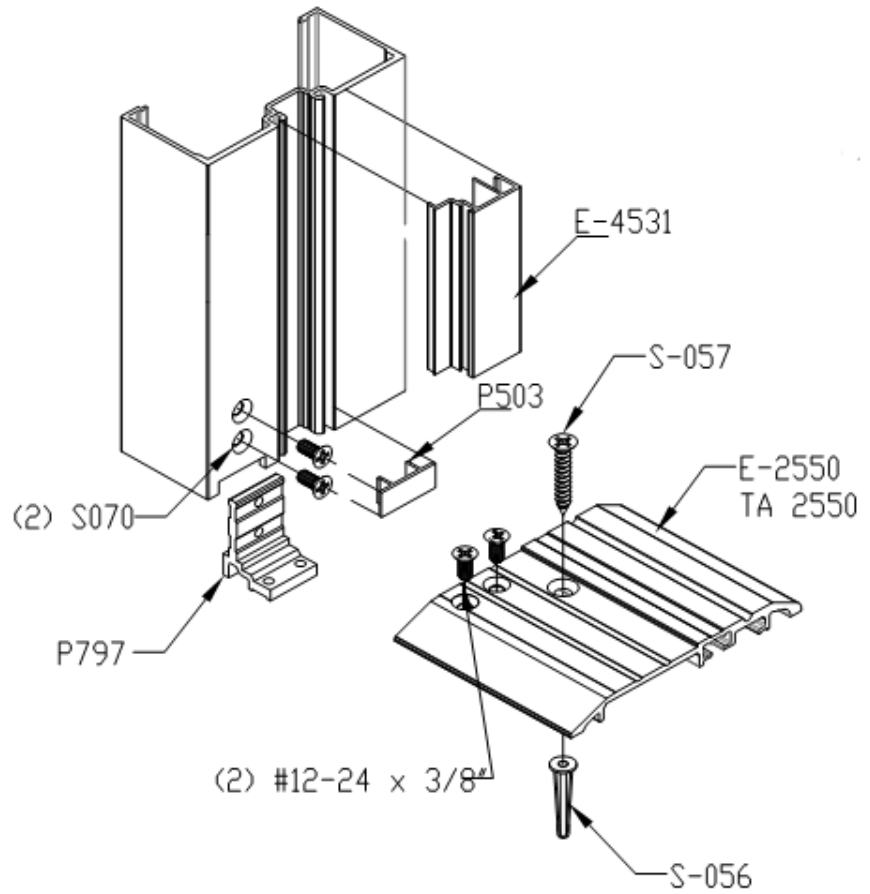
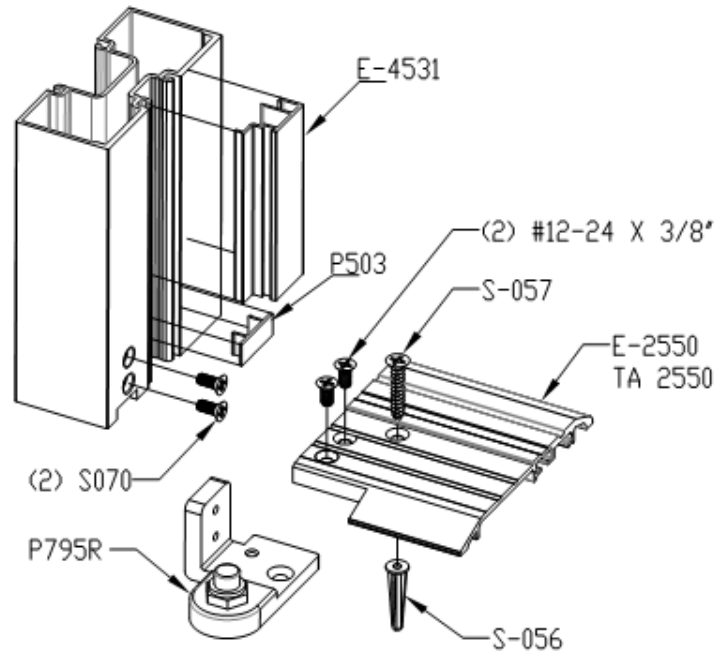
5 ¼" wide x ½" thresholds have a non-thermal (E2550) and a thermal option (TA2550). The threshold will also have a lip to prevent water infiltration. This will be the new standard threshold for doors with the exception of Center Pivot option. Door stops will now sit on the threshold to make installation easier.

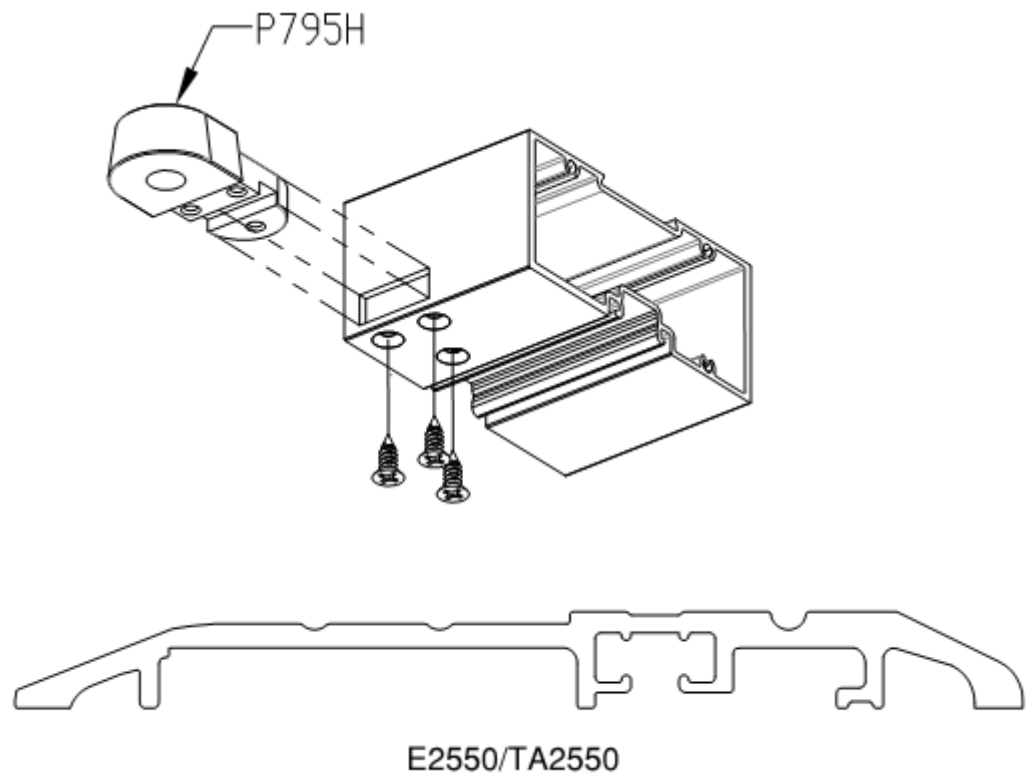
All orders for offset pivot doors and frames entered on May 5, 2014 will come with the new offset pivots (P795) and 5 ¼" x ½" threshold unless requested specifically for current pivot (P695). The current pivot (P695) will not be available to be used with the new 5 ¼" x ½" threshold. The new pivot (P795) will only be available to be used with the new threshold.

There will be a 90 day transition period starting on May 5th; where Tubelite will honor the order and fabrication requests for doors and frames with the current P695 pivot. Requests for the previous P695 pivot need to be clearly identified on any order correspondence. After this transition period, you will only be able to order the P695 pivots without fabrication on doors and frames.

Box labels with the new pivot part number(P795), or doors and frames with this pivot, will be printed in Red ink to make them easy to identify and keep separate from older inventory of the previous offset pivot hardware.

Please see below for details, photos and part number changes:







## PART CHANGES LIST

Current P/N	New P/N	Description	List Price
		<b>OFFSET PIVOTS</b>	
P695A	P795H	Pivot Frame Header	\$12.00
P695D	P795DT	Pivot Top Door	\$13.00
P695E	P795DB	Pivot Bottom Door	\$21.00
P695L	P795L	Pivot Bottom Left hand frame	\$19.00
P695R	P795R	Pivot Bottom Right hand frame	\$19.00
		<b>OFFSET INTERMEDIATE PIVOTS</b>	
P751L	P795IL	Intermediate Left Hand set	\$103.00
P751R	P795IR	Intermediate Right Hand Set	\$103.00
		<b>THRESHOLD</b>	
E0019	E2550	Non thermal threshold	\$155.00 SL
TA6250	TA2550	Thermal threshold	\$233.00 SL
		<b>ACCESSORIES</b>	
P679	P797	STD threshold clip	\$155.00 (PK-50)
P679HD	P797HD	Threshold Clip - HD	\$9.00
P1371	P2240	Frame kits: 14000 non transom	\$17.0000
P1371HD	P2240HD	Frame kits: 14000 non transom, Heavy Duty Jambs	\$33.00
P1374	P2245	Frame kits: OP Pairs , 4500 Non Transom	\$10.0000
P1375	P2250	Frame kits: OP pairs, 4500 transom	\$15.0000
P1379	P2260	Frame kits: OPsingle, 4500 transom	\$17.0000
P3080	P2270	Frame kits: 14000 transom	\$25.0000
P3080HD	P2270HD	Frame kits: 14000 Heavy Wall jambs, transom	\$38.0000
P3087	P2280	Frame kit: 4500 Transom	\$22.0000
P3087HD	P2280HD	Frame kit: 4500 Transom Heavy Wall jambs	\$38.0000
P3086A	P2285	Frame Kit: OP Pairs, 14000 Transom	\$16.00
N/A	P2290	Frame Kit: I/O, 14650, thermal frame, TU24000 OP PAIRS Transom	\$16.0000
N/A	P2295	Frame kit: I/O, 14650, thermal frame, TU24000 Transom	\$29.0000
		<b>Floor Anchor Kits - Fix center mullions</b>	
P0118A	P218A	Floor Anchor kit - use with E0041	\$40.0000
P0118B	P218B	Floor Anchor kit - use with E0133	\$47.0000
P0118C	P218C	Floor Anchor kit - use with E1451	\$40.0000
P0118D	P218D	Floor Anchor kit - use with E4500	\$37.0000
P0118E	P218E	Floor Anchor kit - use with E4552	\$70.0000
P0118F	P218F	Floor Anchor kit - use with E14145	\$34.0000
P0118G	P218G	Floor Anchor kit - use with E14245	\$49.0000
P0118H	P218H	Floor Anchor kit - use with E45009	\$58.0000
P0118I	P218I	Floor Anchor kit - use with E14624	\$38.0000
P0118J	P218J	Floor Anchor kit - use with E14021	\$45.0000
P0118K	P218K	Floor Anchor kit - use with A624142	\$56.0000
P0118L	P218L	Floor Anchor kit - use with A624545	\$28.0000