

**DEPENDABLE
PRODUCT
NEWS**
TUBELITE®
DEPENDABLE

LEADERS IN ECO-EFFICIENT STOREFRONT,
CURTAINWALL AND ENTRANCE SYSTEMS

Date: **7/30/18**

Engineering Bulletin: **071802**

Effective Date: 08/06/18

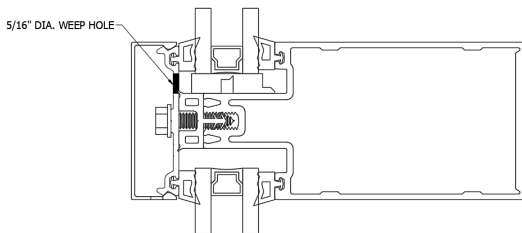
Released By: **Steven Gille**

Subject: **400T Enhancement Updates Completion**

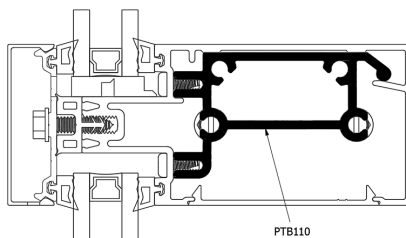
Tubelite is dedicated to continuous improvement of our product offering.

Effective Monday 08/06/18, the enhancements listed below to the 400T curtain wall will be released. The associated engineering documents and price book will be updated on-line and available that day.

5/16" diameter weep holes updated from 1/4" diam

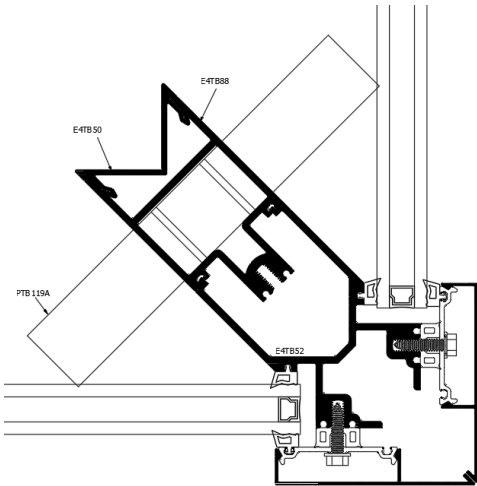


New "roll-over" shear block design: PTB110



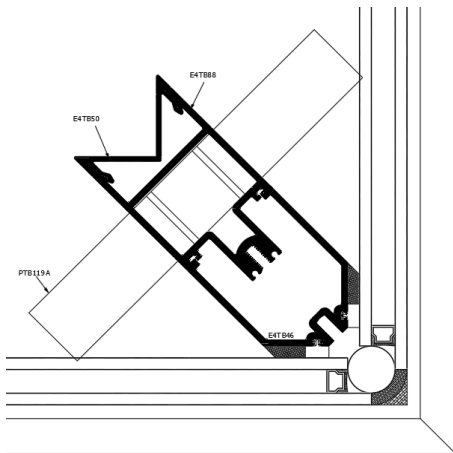
New Outside Captured corner design:

- New back mullion profile – same mullion used for all OS captured, OS SSG and IS SSG
- New head / sill “T” anchor design – same anchor used for all OS captured, OS SSG and IS SSG
- New interior corner closure – profile follows framing
- New exterior covers – eliminated exposed aluminum PP
- Used standard vertical mullion zone dams
- New corner inserts



New Outside SSG corner design:

- New back mullion profile – same mullion used for all OS captured, OS SSG and IS SSG
- New head / sill “T” anchor design – same anchor used for all OS captured, OS SSG and IS SSG
- New interior corner closure – profile follows framing
- New zone dams
- New corner inserts
- 1/4” SSG silicone joints replacing 1/2” silicone joints



New Inside SSG corner design:

New back mullion profile – same mullion used for all OS captured, OS SSG and IS SSG

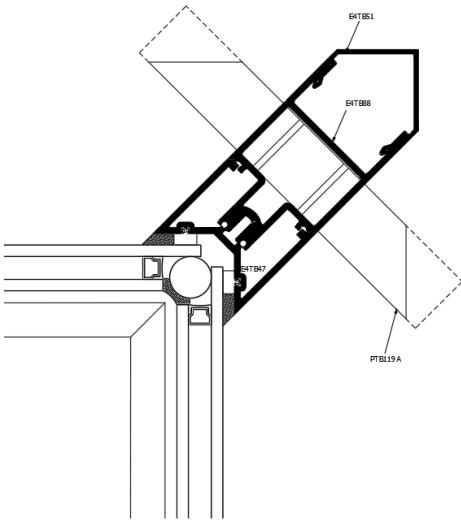
New head / sill “T” anchor design – same anchor used for all OS captured, OS SSG and IS SSG

New interior corner closure – profile follows framing

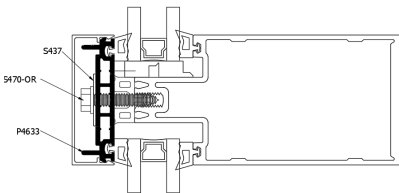
New zone dams

New corner inserts

¼” SSG silicone joints replacing ½” silicone joints



Polyamide Pressure Plate – replaces fiberglass



THIS ENHANCEMENT FOR 400T OFFERING ONLY...

New Horizontal SSG w/1/4" x 1/2" silicone structural joint (replaces 1/2" x 1/2" joint)

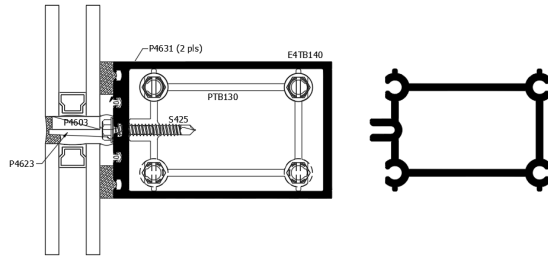
New horizontal frame member E_TB140, for each depth offered in 400T

New shear block – same shear block for each depth, double shear block can be used for deeper depths

Setting block chair P4623

Shear block attachment fastener S425

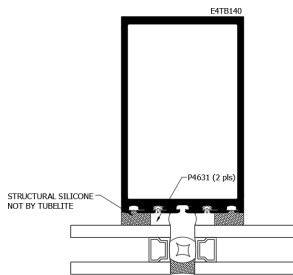
Gasket P4631



New Vertical SSG w/1/4" x 1/2" silicone structural joint (replaces 1/2" x 1/2" joint)

New vertical frame member E_TB140 (same as horizontal), for each depth offered in 400T)

Gasket P4631



New Thermal Separator Gasket – Increase thermal separation to 3/8" (from 1/8")

Thermal separator gasket PTB108

Increased glazing pocket typical 1-1/2" using gaskets P4606 (1/4") exterior / interior

