



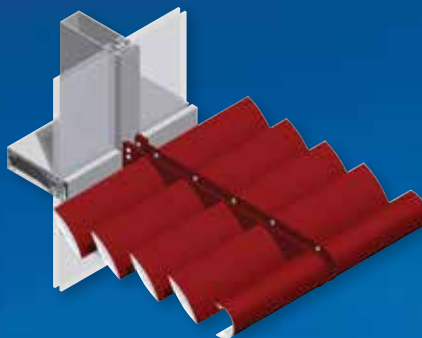
Sun Shades by TUBELITE®

## Sun Control Benefits

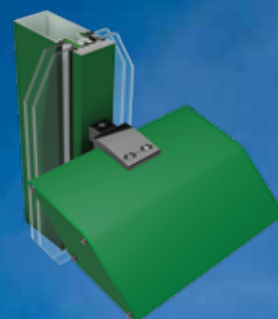
Effectively reduce Solar Heat Gain by shading vision glass areas of the building envelope with Tubelite's MaxBlock® Sun Shades. Cooling costs can be significantly lowered while still allowing natural light to fill the workspace.

MaxBlock® Sun Shades are designed for use with Tubelite Curtainwall and Storefront products. A unique, easy to install outrigger bracket fastens at the pressure plate area and allows removal of individual sections of sun shade for reglazing applications.

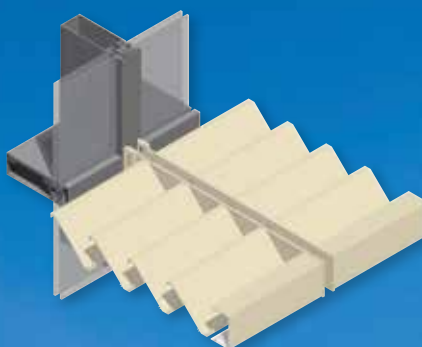
Maxblock® Airfoil Sun Shades



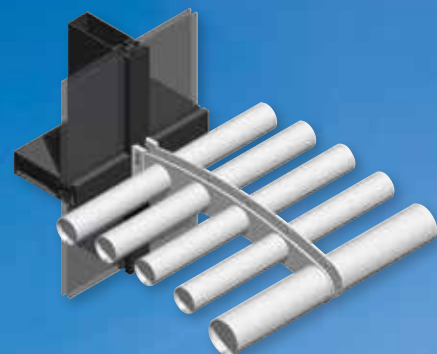
MaxBlock® Single Blade Sun Shades



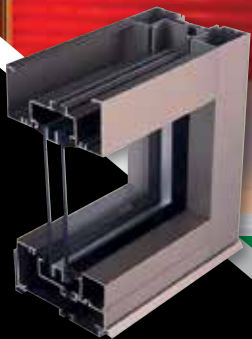
Maxblock® "Z" Blade Sun Shades



Maxblock® Tubular Sun Shades



**400 Series  
Curtainwall**



**14000 Series  
Storefront**

ALSO  
USED  
WITH

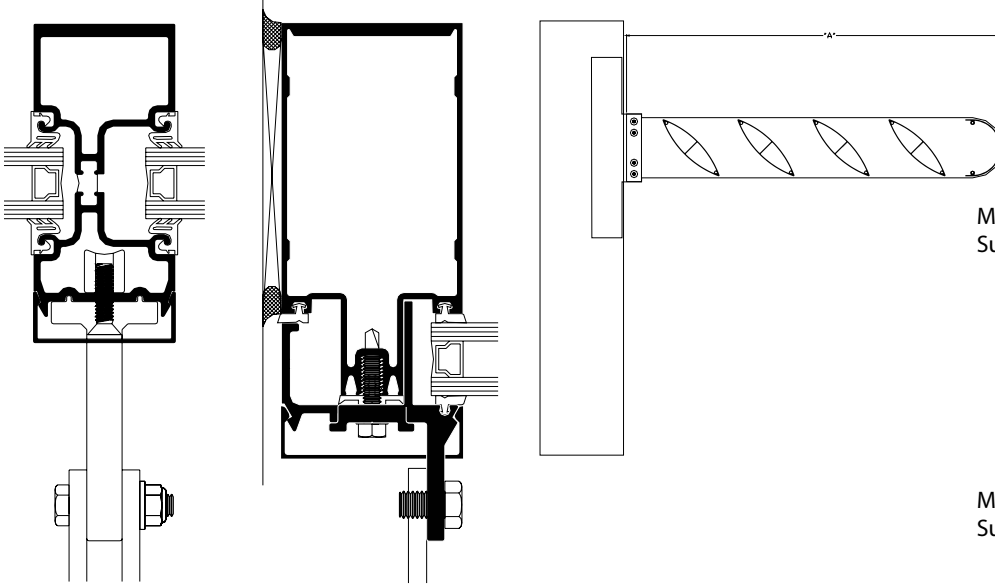
Bernalillo Public Schools  
Architect: Fanning Bard Tatum (FBT) Architects  
Photographer: Mattphoto

**TUBELITE®**  
**DEPENDABLE**

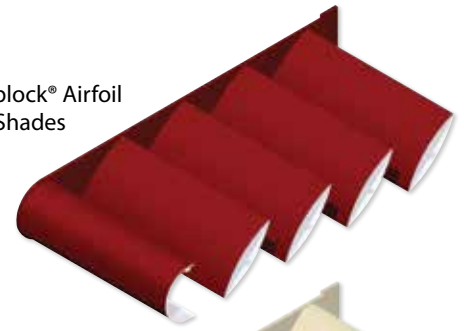
LEADERS IN ECO-EFFICIENT STOREFRONT,  
CURTAINWALL AND ENTRANCE SYSTEMS

## Maxblock® Sunshades

### Maxblock® Airfoil Sun Shade Design



Maxblock® Airfoil Sun Shades



Maxblock® "Z" Blade Sun Shades



Maxblock® Tubular Sun Shades



MaxBlock® Single Blade Sun Shades

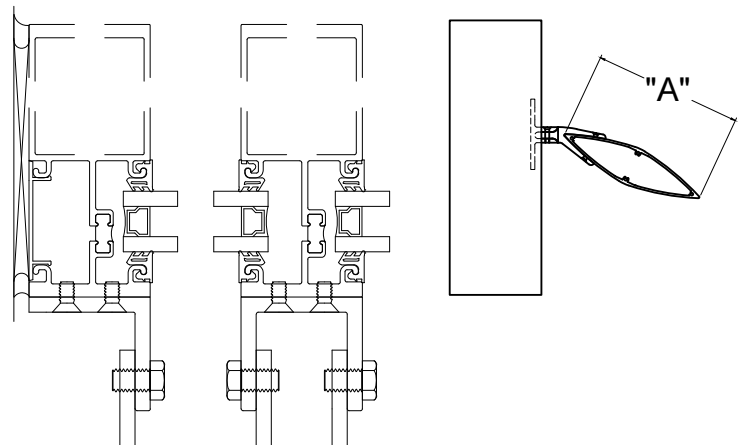


### System Features:

- Minimize solar heat gain through efficient shadefactor design
- Reduce cooling costs and energy use
- Credits available for LEED projects
- Distinctive architectural design
- Patent pending detachable mounting bracket designed to allow reglazing

### Optional Features:

- Bullnose or Square facia styles available
- Outrigger depths of 20, 25, 30 and 35 inches
- Z-Blade, Airfoil, or Tubular blade shapes
- Finishes to match or contrast with Storefront or Curtainwall framing



DISCLAIMER: Tubelite takes no responsibility for product selection or application, including, but not limited to, compliance with building codes, safety codes, laws, merchantability or fitness for a particular purpose; and further disclaims all liability for the use, in whole or in part, of this Technical Guide in preparation of project specifications and/or other documents. Technical Guides are subject to change at any time, without notice, and at Tubelite's sole discretion. ©2017 Tubelite Inc.

111720

**TUBELITE®**  
DEPENDABLE