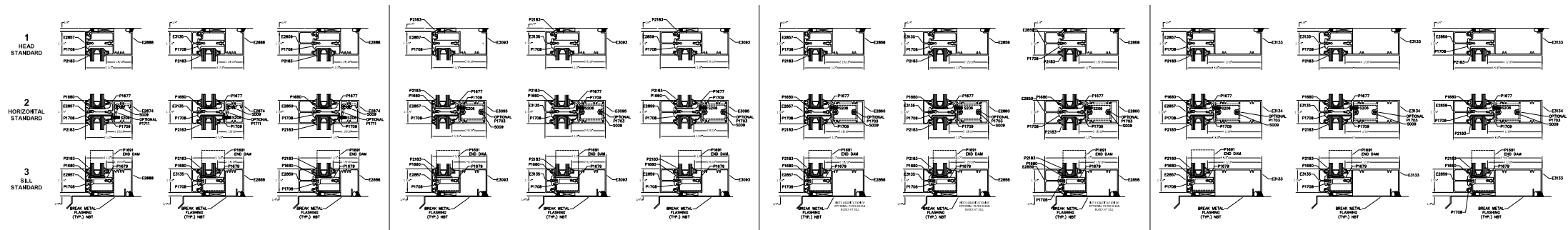
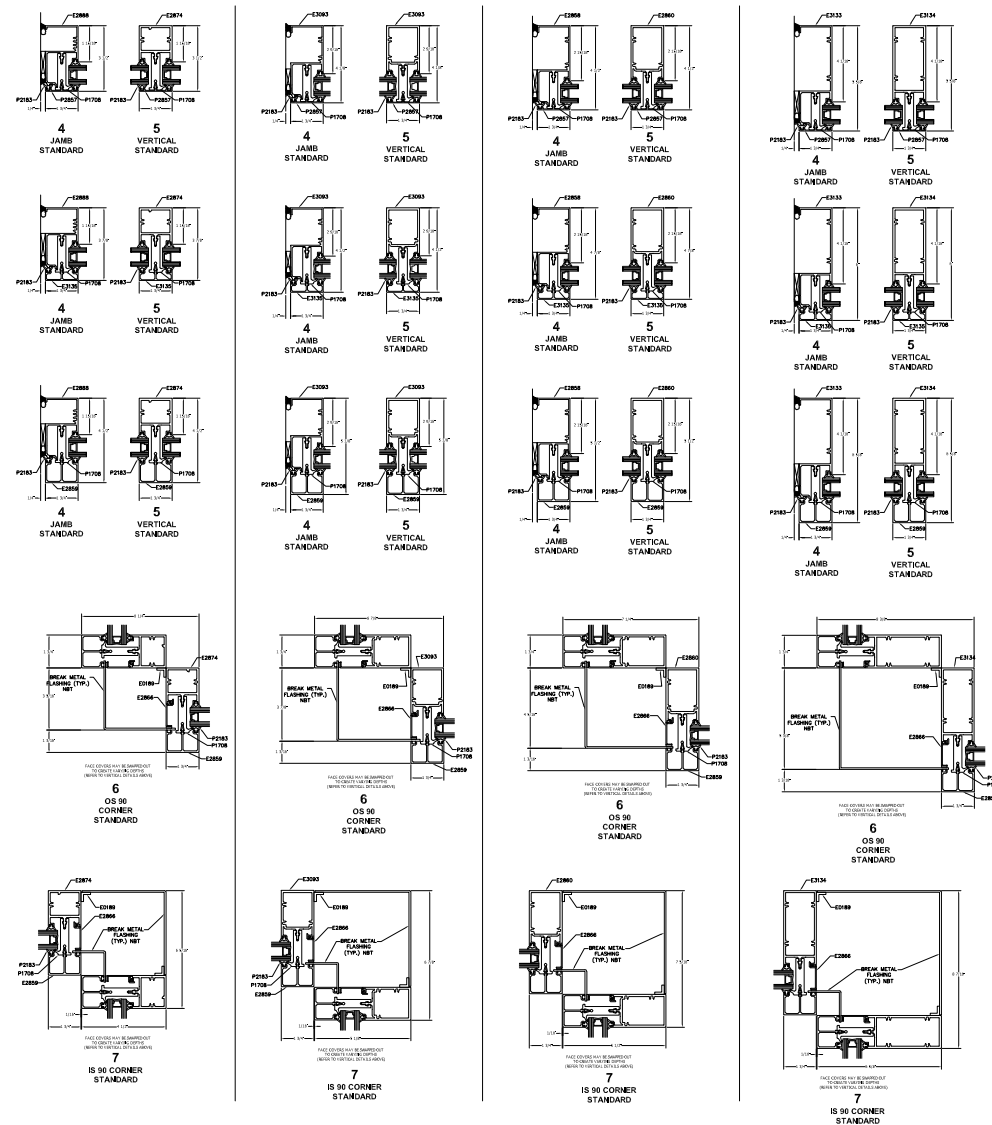


TYPICAL ELEVATION

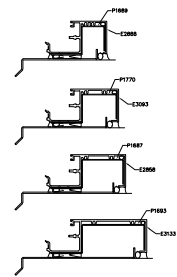
VersaTherm
SERIES STOREFRONT



HORIZONTALS



VERTICALS & CORNERS

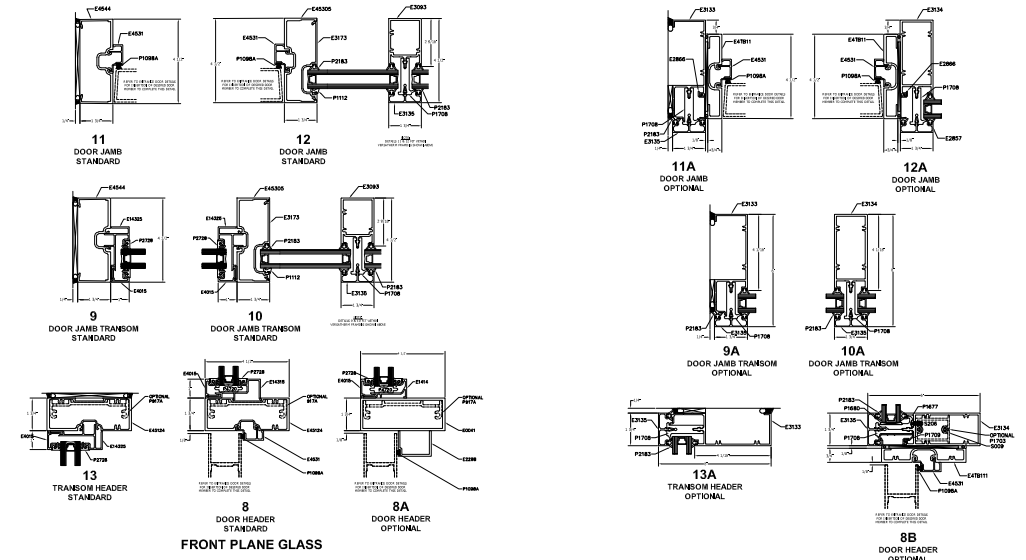


SPLICE DETAILS

SILL SHOWN; HEAD SIMILAR

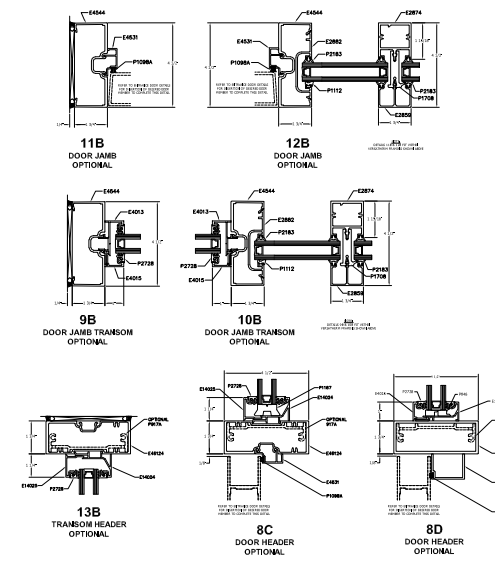


GLAZING INFILL OPTIONS



FRONT PLANE GLASS

DOOR DETAILS
VERSATHERM w/SUBFRAME



CENTER PLANE GLASS

DOOR DETAILS
1-3/4" X 4-1/2" FRAMING

TUBELITE[®]
DEPENDABLE

LEADERS IN ECO-EFFICIENT STOREFRONT,
CURTAINWALL AND ENTRANCE SYSTEMS

Last Revised: 01/10/2020