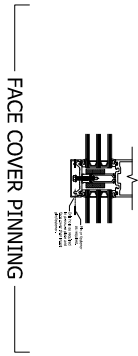
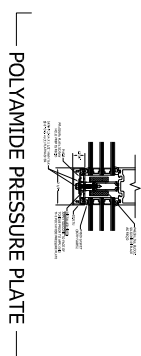


TYPICAL ELEVATION

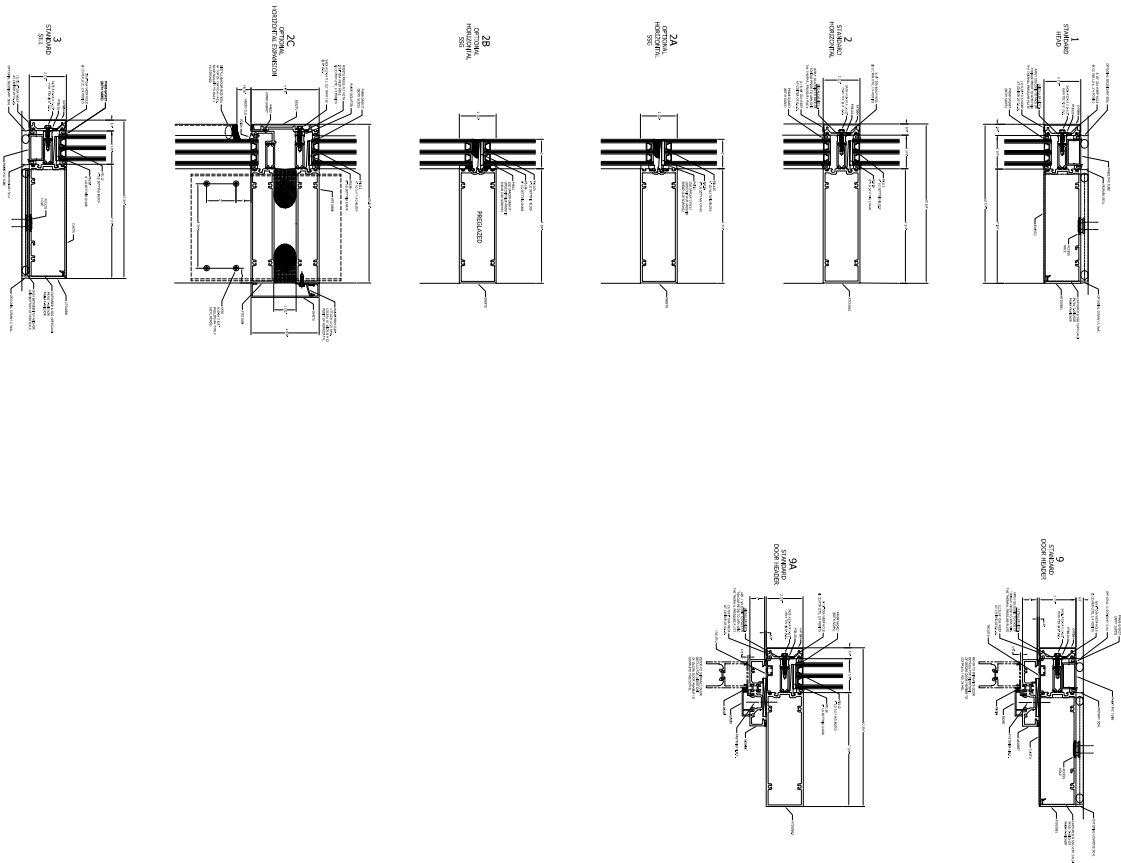
400TU ULTRA THERMAL CURTAIN WALL
 7 3/4" BACK MEMBER, TRIPLE GLAZE, SCREW SPLINE
 THERMAL PRESSURE PLATE



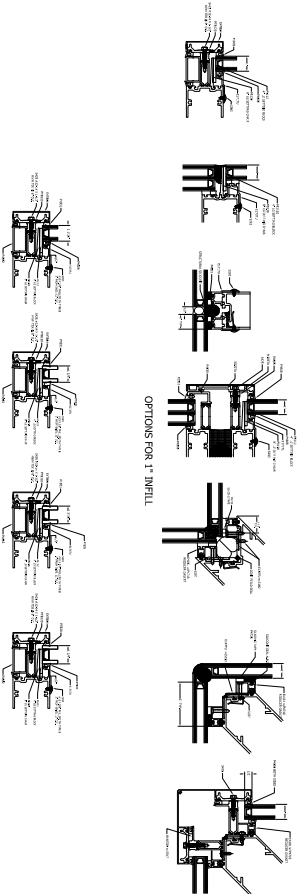
FACE COVER PINNING



POLYAMIDE PRESSURE PLATE



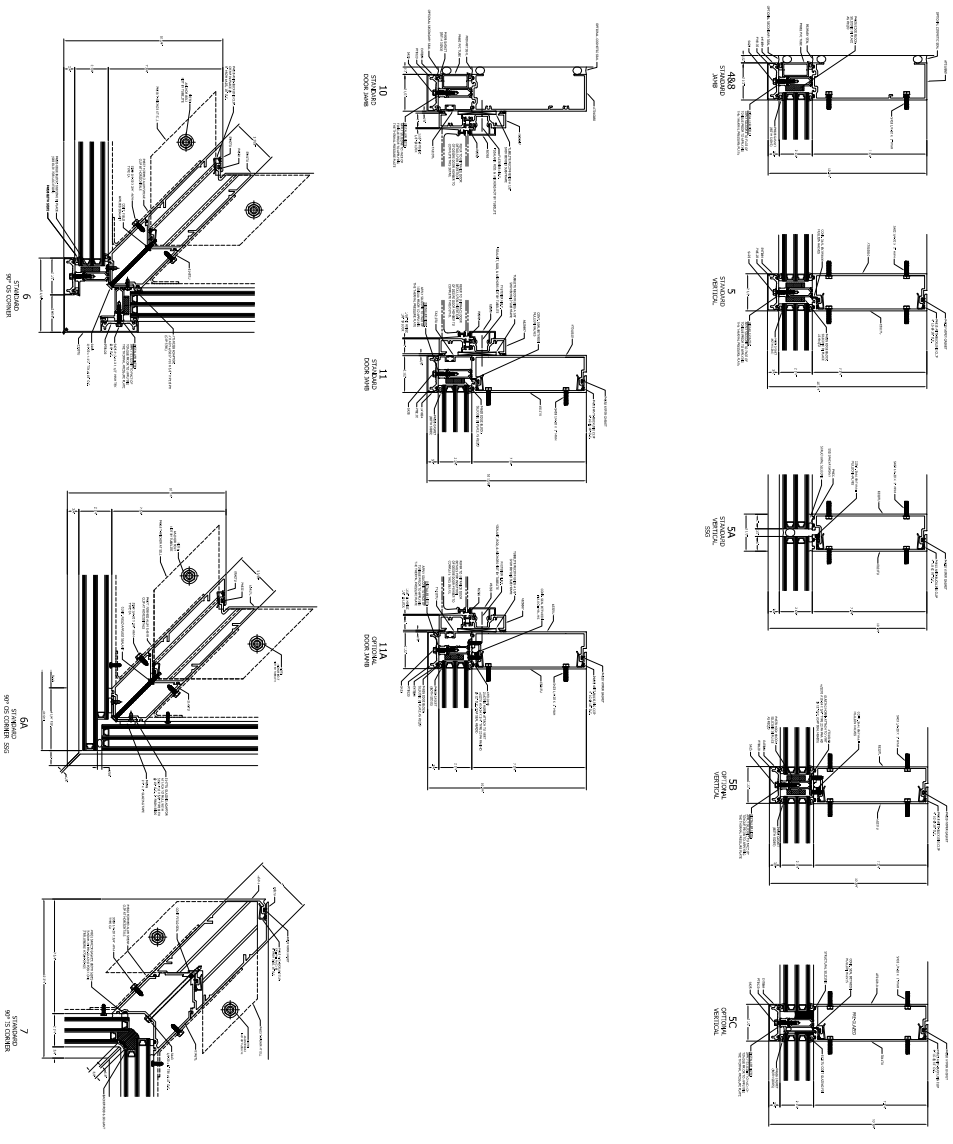
HORIZONTAL DETAILS



OPTIONS FOR 1" INFILL

GLAZING INFILL OPTIONS
 GLASS SHOWING DOES NOT NECESSARILY REPRESENT FINAL CONFIGURATION.
 CONSULT GLASS MANUFACTURER FOR SPECIFIC GLASS MAKE UP.

VERTICAL DETAILS



SPLICE AND ANCHOR DETAILS

