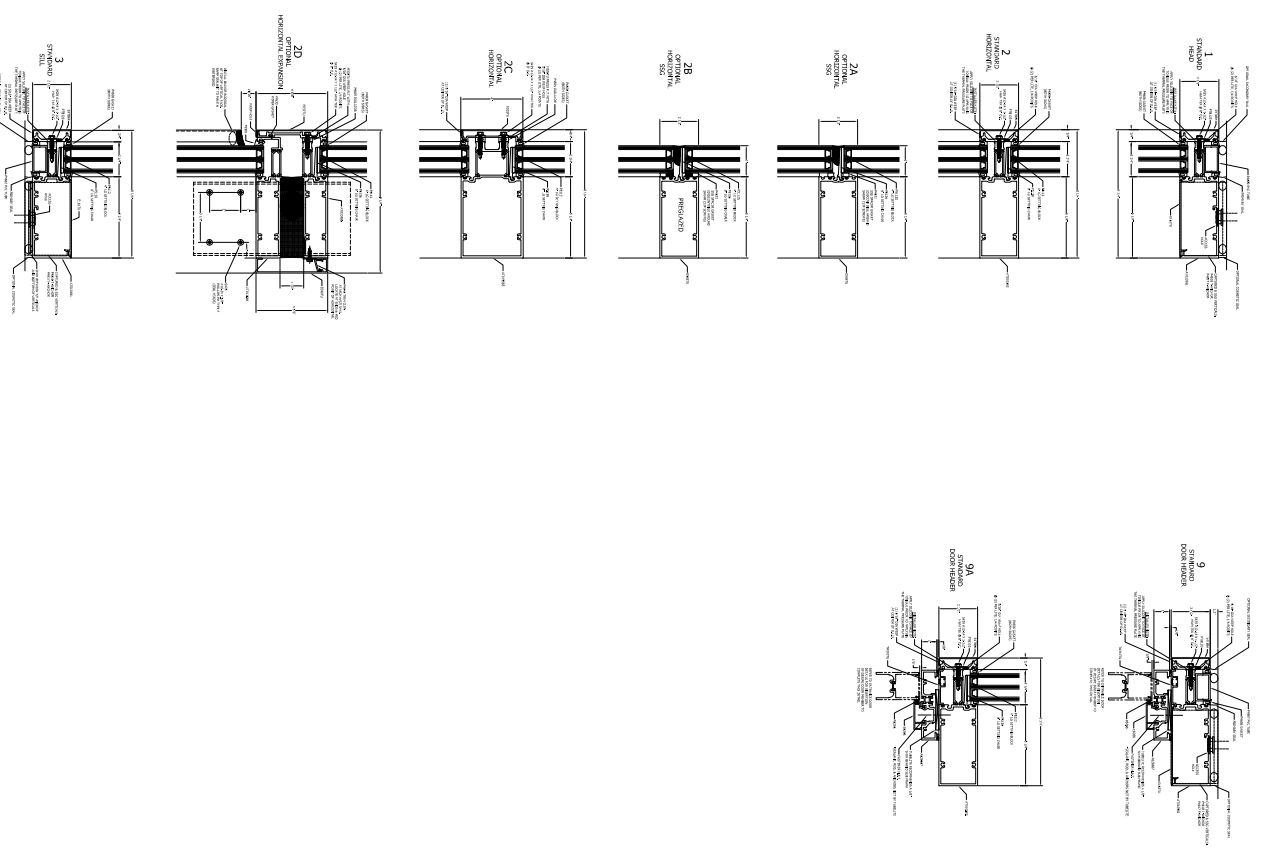
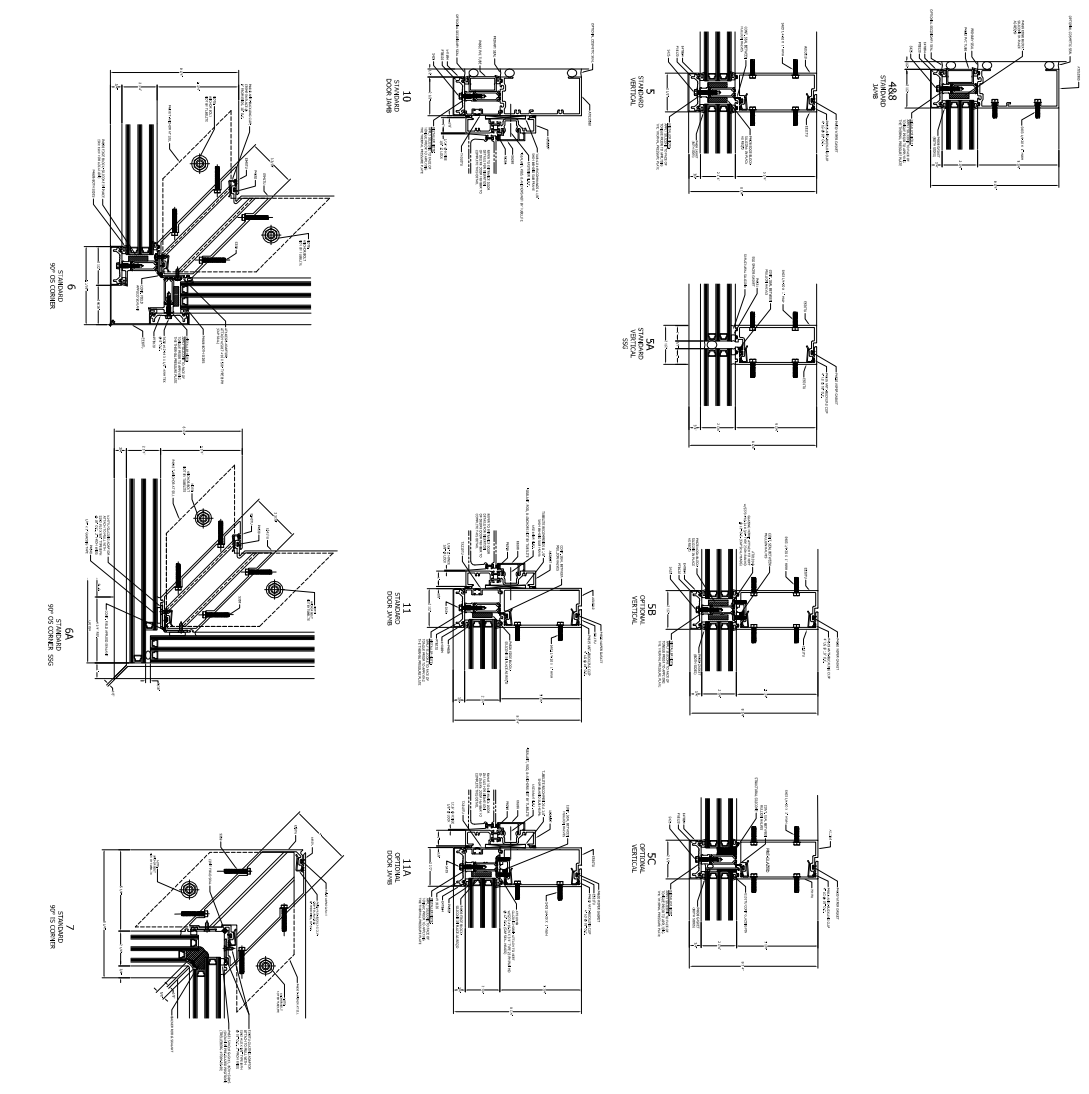


400TU ULTRA THERMAL CURTAIN WALL
5 1/4" BACK MEMBER, TRIPLE GLAZE, SCREW SPLINE
THERMAL PRESSURE PLATE

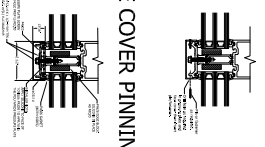


HORIZONTAL DETAILS

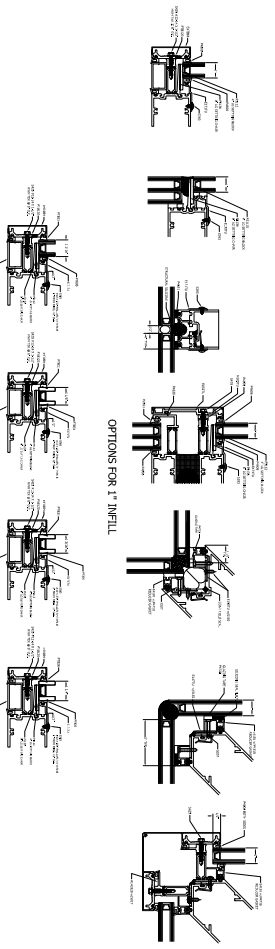
VERTICAL DETAILS



FACE COVER PINNING



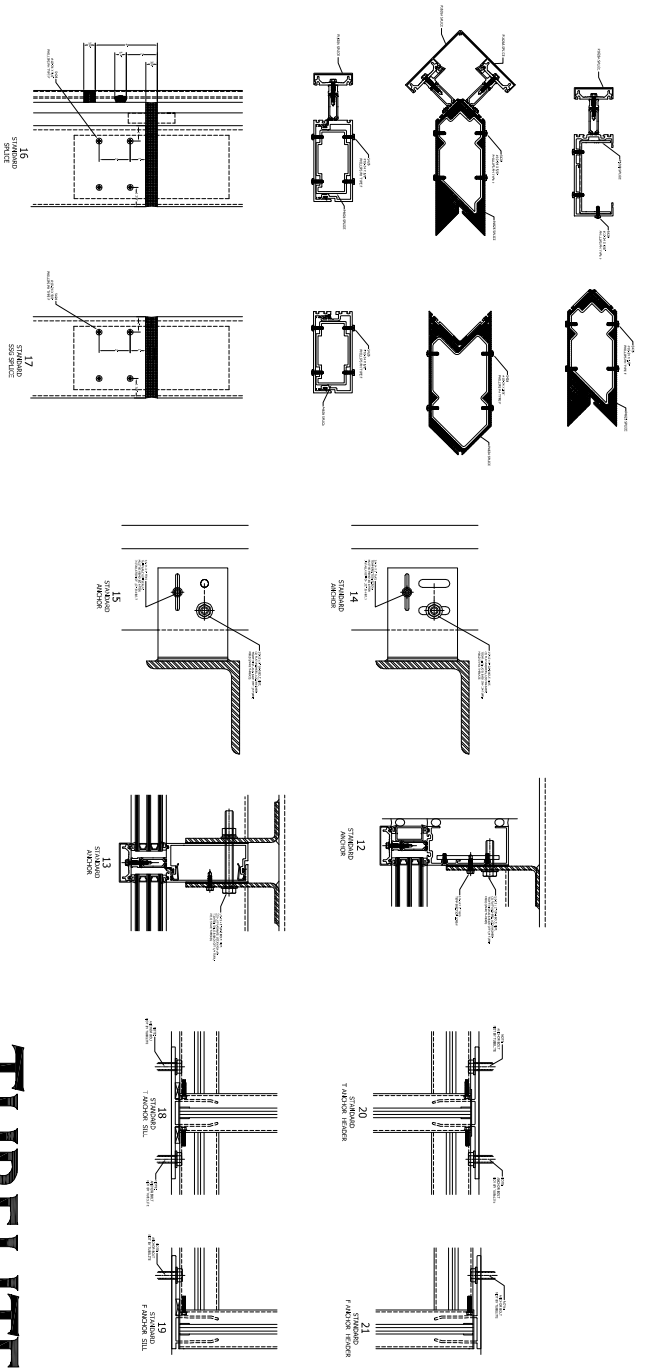
POLYAMIDE PRESSURE PLATE



GLAZING INFILL OPTIONS

GLASS SHOWN DOES NOT NECESSARILY REPRESENT FINAL CONFIGURATION.
CONSULT GLASS MANUFACTURER FOR SPECIFIC GLASS MAKE UP.

SPLICE AND ANCHOR DETAILS



TUBELITE
DEPENDABLE

LEADERS IN ECO-EFFICIENT STOREFRONT,
CURTAINWALL AND ENTRANCE SYSTEMS

Last Revised: 06-26-2020